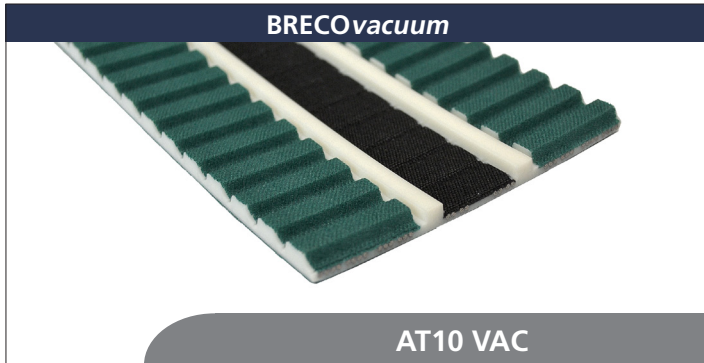


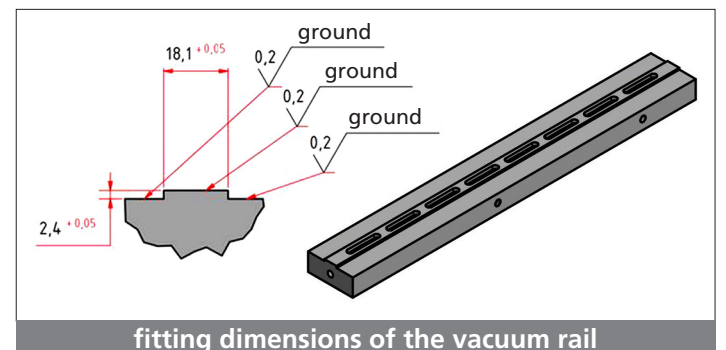
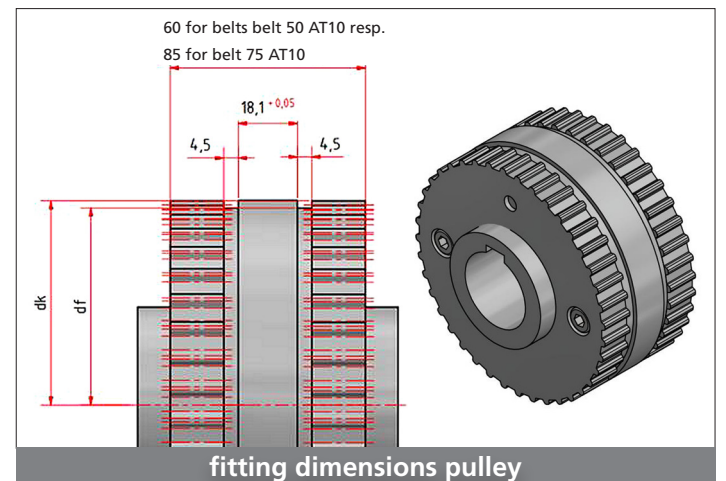
BRECOvacuum AT10

Open length M / joined (V)



Belt widths b [mm]	
50	75

AT10 VAC (M/V)	Available lengths and versions
Standard delivery lengths (M)	-
Cut to lengths / lengths > 100 m	-
Minimum length joined (V)	1200 mm
Standard material	TPUST1 ¹⁾
Steel tension member (Standard)	in the toothed area standard
E tension member	-
Stainless steel tension member	in the vacuum area standard
PAZ	green / fine
PAR	green / rough
Nylon facing in the vacuum area	black
Diameter of the sniffting holes	≤ 4 mm





- x available
- o minimum purchase amount on request
- not available
- ¹⁾ further materials on request

BRECOvacuum AT10

Open length M / joined (V)

BRECOvacuum AT10 (M/V)		Specific tooth force	
R.p.M. n [min ⁻¹]	F_{tspec} [N/cm] b=50 mm	F_{tspec} [N/cm] b=75 mm	
0	36,8	55,4	
20	36,2	54,6	
40	35,7	53,8	
60	35,2	53,1	
80	34,8	52,4	
100	34,4	51,8	
200	32,5	49,0	
300	31,0	46,8	
400	29,8	44,9	
500	28,7	43,3	

BRECOvacuum AT10 (M/V)		Admissible tension cord strength F_{tadm} / Spec. elasticity / Belt weight		
Belt widths		b [mm]	50	75
M	E- / Steel tension member	F_{tadm} [N]	2500	4500
	spec. elasticity (E- / steel tension member)	C_{spec} [N]	$1,25 \cdot 10^6$	$2,24 \cdot 10^6$
	Stainless steel tension member	F_{tadm} [N]	1860	3350
	spec. elasticity (steel tension member)	C_{spec} [N]	$1,25 \cdot 10^6$	$2,24 \cdot 10^6$
V	E- / Steel tension member	F_{tadm} [N]	1250	2250
	Stainless steel tension member	F_{tadm} [N]	930	1675
Belt weight	Standard	[kg/m]	0,255	0,413

BRECOvacuum AT10		Flexibility (minimum number of teeth / minimum diameter)											
		steel tension member				E tension member				Stainless steel tension member			
		Standard	DL	DR	T	Standard	DL	DR	T	Standard	DL	DR	T
	without contra- flexure	z_{min}	38	-	-	-	-	-	-	38	-	-	-
		d_{min} [mm]	120	-	-	-	-	-	-	-	120	-	-
	with contra- flexure	z_{min}	47	-	-	-	-	-	-	47	-	-	-
		d_{min} [mm]	150	-	-	-	-	-	-	-	150	-	-