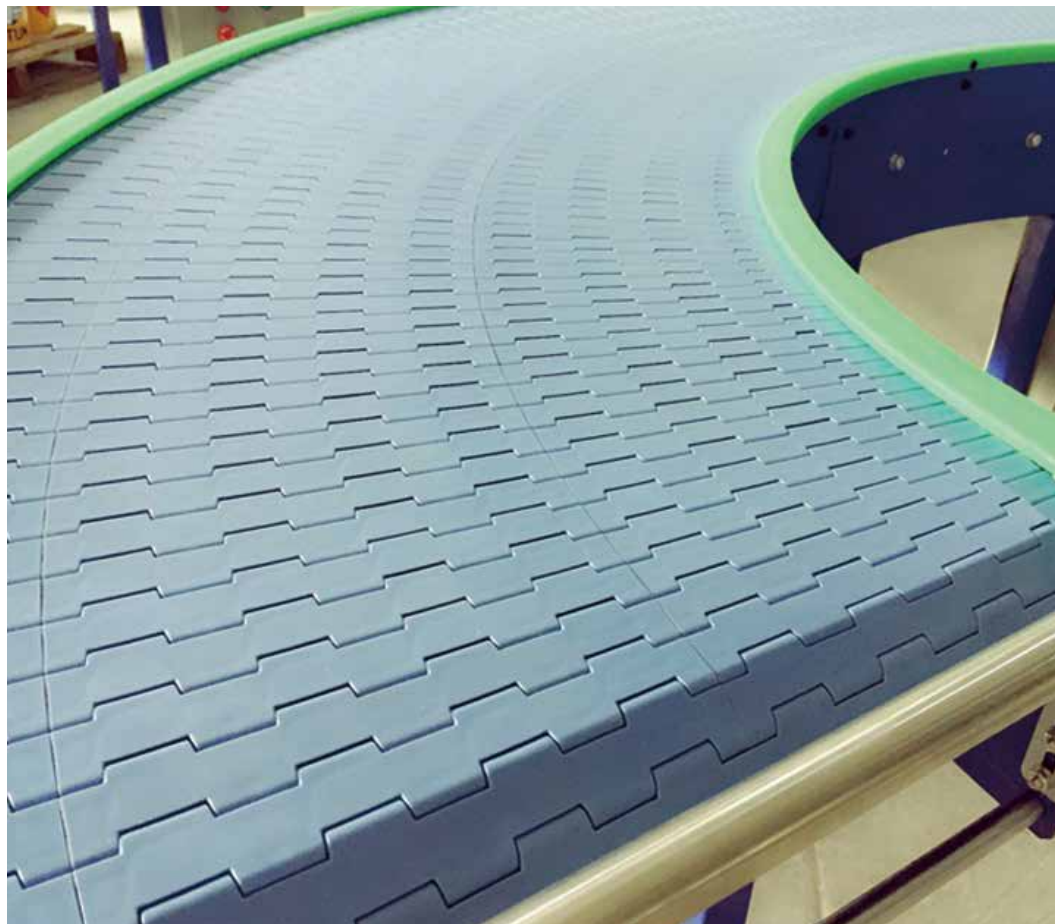
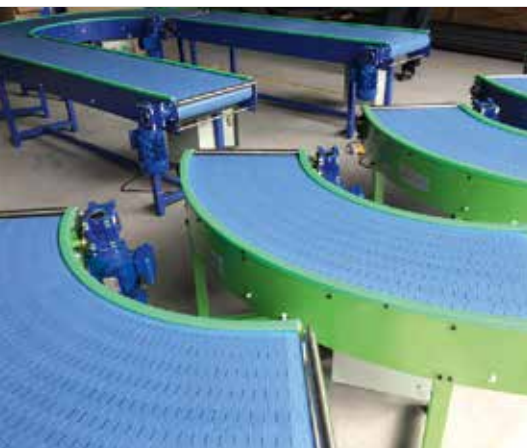


Modular belts



Quality and Service is our Driving Force!

Modular belts for industrial conveying can be characterized by its pitch diameter, type of color and material made of. You as our customer can decide if you need polypropylene, polyethylene, acetal or nylon modular belts. If you need assistance our sales team is always for you available.

Depending on the industry and belt that you need you can also distinguish the color you require for your application. The most common are white, gray, nature, dark brown and blue. If you have any specific needs we are more than willing to help you in finding an alternative solution.

At this moment available on stock:

CH-100 Series / Pitch: 50,8 mm

HS-100A-HD*	3
HS-100A HD-N new line	4
HS-100AN	5
HS-102B	6
HS-100B-HD	7
HS-100B-EL	8
HS-100C	9
HS-100D	10
HS-101B	11

CH-200 Series / Pitch: 25,4 mm

HS-200A-HD	12
HS-200AN	13
HS-200B	14
HS-200C	15
HS-200EL	16
HS-201A	17

CH-300 Series / Pitch: 45,0 mm

HS-300B-HD	18
HS-300B-HD-EL	20
HS-300B-HD-C	22
HS-300B-HD-GB	24
HS-300B-PLUS	26
HS-300B-PLUS-EL	28
HS-300B-PLUS-C	30
HS-300C	32

CH-400 Series / Pitch: 10,0 mm

HS-400A	34
HS-400B	35

CH-500 Series / Pitch: 25,0 mm			
HS-500B	36	CH-1200 Series / Pitch: 31,75 mm	
HS-500B-HD	38	HS-1200B	90
HS-500B-EL-GB	40	HS-1201B	91
HS-500B-GB	42	CH-1400 Series / Pitch: 50,8 mm	
HS-500EL	44	HS-1400B	92
HS-500C	46	CH-1500 Series / Pitch: 12,7 mm	
HS-501A	48	HS-1500A*	94
HS-501B	49	HS-1500A-HD new line	95
HS-501C	50	HS-1500B*	96
HS-501D	51	HS-1500B-N new line	97
HS-501EL	52	CH-1600 Series / Pitch: 50,8 mm	
HS-502A	53	HS-1600A	98
HS-502A-HD	54	HS-1600B	99
HS-502A-HD-D	55	HS-1600D	100
HS-502A-127.5 FB	56	CH-1700 Series / Pitch: 38,1 mm	
HS-502A-83 GB	57	HS-1700B	101
HS-502B	58	CH-1800 Series / Pitch: 63,5 mm	
HS-502C	59	HS-1800A	102
HS-502D	60	HS-1800A-100	103
HS-502EL	61	HS-1800B	104
HS-502ZS	62	HS-1800D	105
CH-600 Series / Pitch: 25,0 mm		CH-2000 Series	
HS-600B	63	HS-2000A	106
HS-600C	64	CH-2500 Series / Pitch: 25,4 mm	
CH-700 Series / Pitch: 27,2 mm		HS-2500B	107
HS-700A	65	CH-2600 Series / Pitch: 25,0 mm	
HS-700A-N	66	HS-2600B	108
HS-700AB-N	67	CH-2800 Series / Pitch: 25,0 mm	
HS-700B	68	HS-2800C	109
HS-700B-N	69	CH-3000 Series / Pitch: 25,0 mm	
HS-700D-N	70	HS-3000B	110
HS-700EL	71	CH-4000 Series / Pitch: 5,0 mm	
HS-700EL-N	72	HS-4000A	111
HS-701B	73	HS-4000B	112
HS-750RC	74	CH-F1000 Series / Pitch: 25,4 mm	
CH-800 Series / Pitch: 50,8 mm		HS-F1000-84B	113
HS-800-1C	75	HS-F1000-85A	114
CH-900 Series / Pitch: 50,8 mm		HS-F1000-84B-GB	115
HS-900A	76	HS-F1000-85A-B	116
HS-900B-HD	77	HS-F1000-85A-B-GB	117
HS-900C	78	HS-F1000-85A-GB	118
HS-901B	79	Modular belts width table	119
HS-901D	80		
HS-902B	81		
CH-1000 Series / Pitch: 19,0 mm			
HS-1000A	82		
HS-1000B	83		
HS-1000EL	84		
CH-1100 Series / Pitch: 15,2 mm			
HS-1100A-N	85		
HS-1100AB-N	86		
HS-1100B-N	87		
HS-1100C	88		
HS-1100EL	89		

*valid until stock sold out

HS-100A-HD

Pitch	50.8 mm
Minimum width	150 mm
Open area	0%
Approved	FDA
Rod	Ø 8 mm
Flight	Yes
Side guard	Yes
Curve	No



DATA

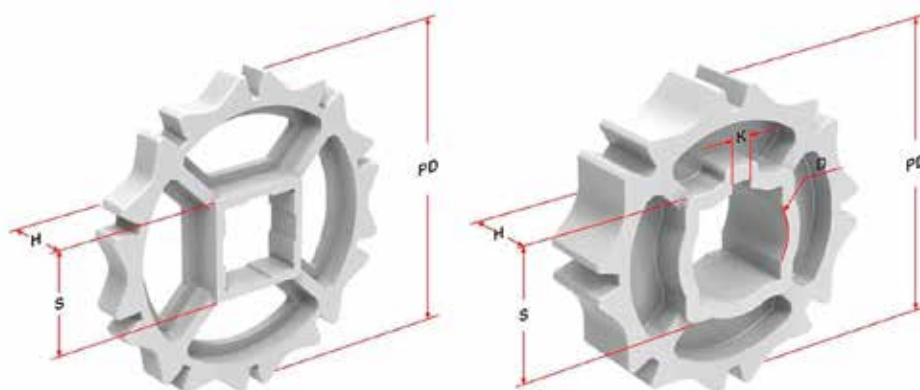
Belt material	Belt strenght			Temperature		Belt weight [kg/m ²]
	Straight		Curve	°C [min.]	°C [max.]	
	kg/m[BW]	N/m[BW]				
Polypropylene	1340	13400	-	1	100	9.3
Polyethylene	1280	12800	-	-60	60	9.8
Acetal	1770	17700	-	-40	80	14.0
Nylon	1520	15200	-	1	180	12.6

BW - belt width

COLOR TABLE

Polypropylene					Polyethylene					Acetal					Nylon				
W	G	N	DB	B	W	G	N	DB	B	W	G	N	DB	B	W	G	N	DB	B
●	●						●			●				●				●	

W - White, G - Grey, N - Nature, DB - Dark brown, B-Blue



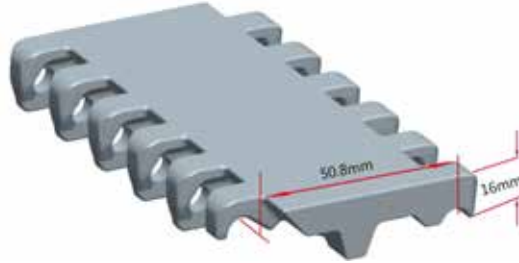
SPROCKET DIMENSIONS

No. teeth	PD [mm]	S [mm]	D [mm]	H [mm]	K [mm]
6	89	38.5/40.5	45.5	37	7x7
8	133	38.5/40.5	30/45.5	37	7x7
8/N	123.3	38.5/40.5	-	37	-
10	164	38.5/40.5	30/45.5/47.5	35	8x8
10/N	157.3	38.5/40.5	-	37	-
12	196	38.5/40.5	45.5/47.5	37	8x8
12/N	190.8	38.5/40.5	-	37	-

HS-100A-HD-N

4

Pitch	50.8 mm
Minimum width	251 mm
Open area	0%
Approved	FDA
Rod	Ø 5.8 mm
Flight	Yes
Side guard	Yes
Curve	No



DATA

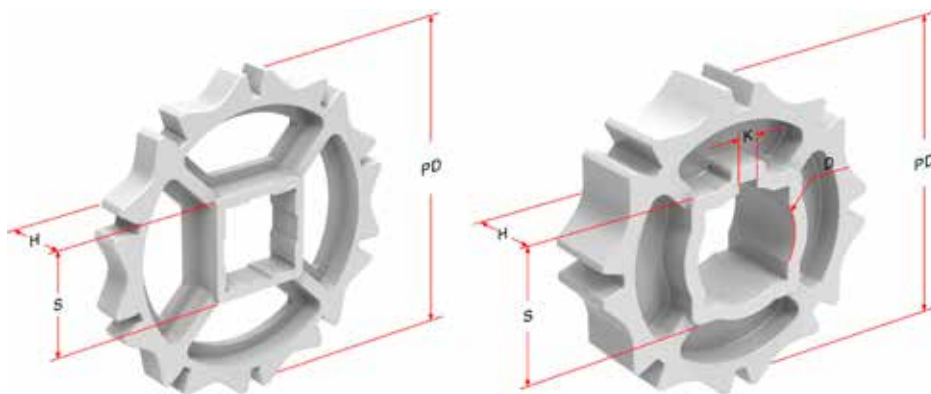
Belt material	Belt strenght			Temperature		Belt weight [kg/m ²]
	Straight		Curve	°C [min.]	°C [max.]	
	kg/m[BW]	N/m[BW]				
Polypropylene	1340	13400	-	1	100	9.3
Polyethylene	1280	12800	-	-60	60	9.8
Acetal	1770	17700	-	-40	80	14.0
Nylon	1520	15200	-	1	180	12.6

BW - belt width

COLOR TABLE

Polypropylene					Polyethylene					Acetal					Nylon				
W	G	N	DB	B	W	G	N	DB	B	W	G	N	DB	B	W	G	N	DB	B
●	●						●			●				●				●	

W - White, G - Grey, N - Nature, DB - Dark brown, B-Blue

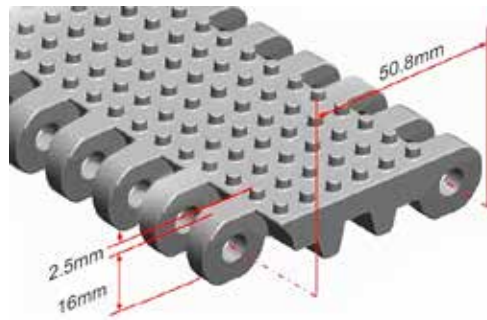


SPROCKET DIMENSIONS

No. teeth	PD [mm]	S [mm]	D [mm]	H [mm]	K [mm]
6	89	38.5/40.5	45.5	37	7x7
8	133	38.5/40.5	30/45.5	37	7x7
8/N	123.3	38.5/40.5	-	37	-
10	164	38.5/40.5	30/45.5/47.5	35	8x8
10/N	157.3	38.5/40.5	-	37	-
12	196	38.5/40.5	45.5/47.5	37	8x8
12/N	190.8	38.5/40.5	-	37	-

HS-100AN

Pitch	50.8 mm
Minimum width	150 mm
Open area	0%
Approved	FDA
Rod	Ø 6 mm
Flight	Yes
Side guard	Yes
Curve	No



DATA

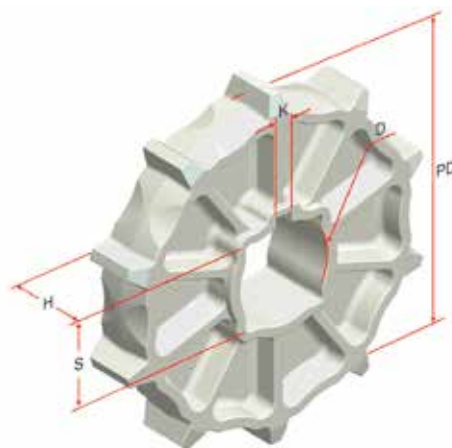
Belt material	Belt strenght			Temperature		Belt weight [kg/m ²]
	Straight		Curve	°C [min.]	°C [max.]	
	kg/m[BW]	N/m[BW]				
Polypropylene	1340	13400	-	1	100	8.5
Polyethylene	1280	12800	-	-60	60	8.7
Acetal	1770	17700	-	-40	80	12.9
Nylon	1520	15200	-	1	180	11.3

BW - belt width

COLOR TABLE

Polypropylene					Polyethylene					Acetal					Nylon				
W	G	N	DB	B	W	G	N	DB	B	W	G	N	DB	B	W	G	N	DB	B
●	●						●			●				●				●	

W - White, G - Grey, N - Nature, DB - Dark brown, B-Blue



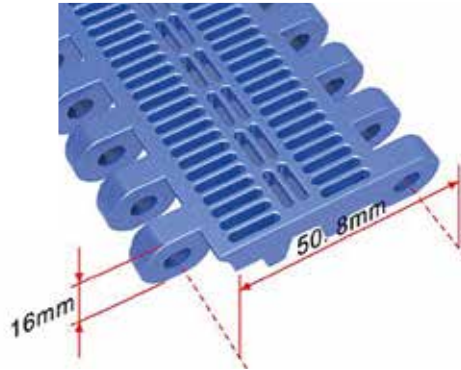
SPROCKET DIMENSIONS

No. teeth	PD [mm]	S [mm]	D [mm]	H [mm]	K [mm]
6	101.6	38.5/40.5	25.5/30.5/35.5	30	7x7
8	133	38.5/40.5	25.5/30.5/35.5/40.5/44.5	37	7x7
9	142	38.5/40.5	32.5/45.5/51	35	8x8
10	164	38.5/40.5/50.5/60.5	25.5/30.5/35.5/45.5	35	8x8
12	196	38.5/40.5	45.5/47.5	37	8x8
16	260	60.5/63.5	-	46	-

HS-102B

6

Pitch	50.8 mm
Minimum width	150 mm
Open area	20%
Approved	FDA
Rod	Ø 6 mm
Flight	Yes
Side guard	Yes
Curve	No



DATA

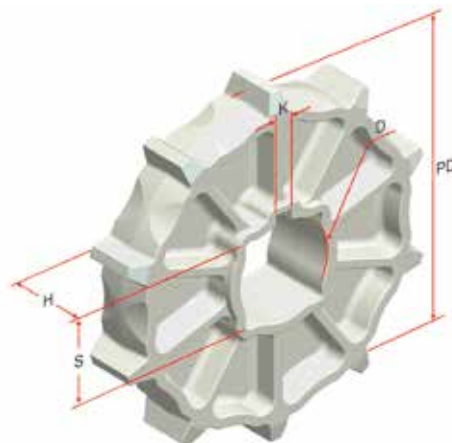
Belt material	Belt strenght			Temperature		Belt weight [kg/m ²]
	Straight		Curve	°C [min.]	°C [max.]	
	kg/m[BW]	N/m[BW]				
Polypropylene	1070	10700	-	1	100	7.5
Polyethylene	1020	10200	-	-60	60	8.7
Acetal	1400	14000	-	-40	80	10.2
Nylon	1200	12000	-	1	180	9.6

BW - belt width

COLOR TABLE

Polypropylene					Polyethylene					Acetal					Nylon				
W	G	N	DB	B	W	G	N	DB	B	W	G	N	DB	B	W	G	N	DB	B
●	●						●			●				●				●	

W - White, G - Grey, N - Nature, DB - Dark brown, B-Blue

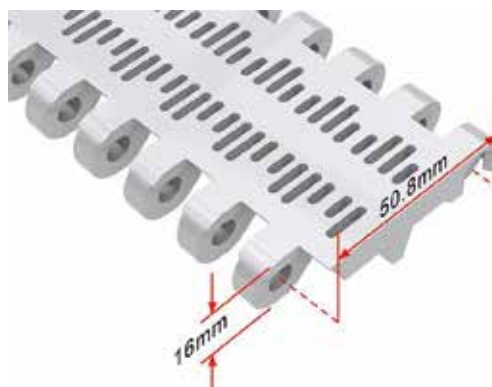


SPROCKET DIMENSIONS

No. teeth	PD [mm]	S [mm]	D [mm]	H [mm]	K [mm]
6	101.6	38.5/40.5	25.5/30.5/35.5	30	7x7
8	133	38.5/40.5	25.5/30.5/35.5/40.5/44.5	37	7x7
9	142	38.5/40.5	32.5/45.5/51	35	8x8
10	164	38.5/40.5/50.5/60.5	25.5/30.5/35.5/45.5	35	8x8
12	196	38.5/40.5	45.5/47.5	37	8x8
16	260	60.5/63.5	-	46	-

HS-100B-HD

Pitch	50.8 mm
Minimum width	150 mm
Open area	17.6%
Approved	FDA
Rod	Ø 6,5 mm
Flight	Yes
Side guard	Yes
Curve	No



DATA

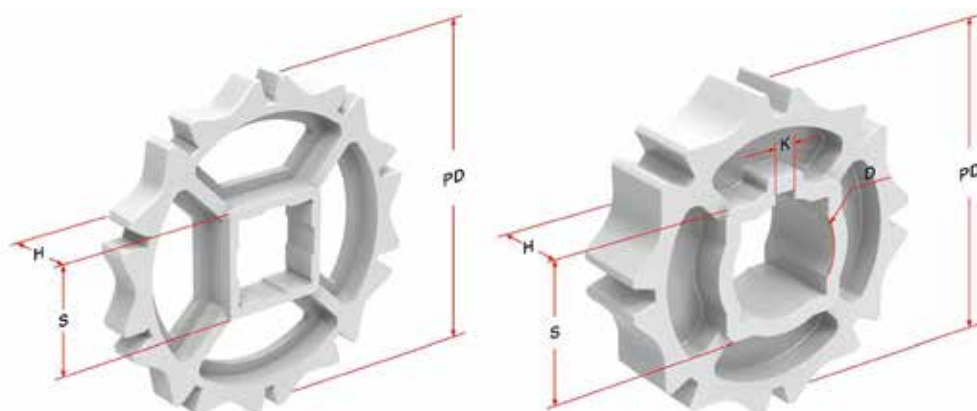
Belt material	Belt strenght			Temperature		Belt weight [kg/m ²]
	Straight		Curve	°C [min.]	°C [max.]	
	kg/m[BW]	N/m[BW]				
Polypropylene	1340	13400	-	1	100	8.4
Polyethylene	1280	12800	-	-60	60	8.8
Acetal	1770	17700	-	-40	80	13.1
Nylon	1520	15200	-	1	180	11.8

BW - belt width

COLOR TABLE

Polypropylene					Polyethylene					Acetal					Nylon				
W	G	N	DB	B	W	G	N	DB	B	W	G	N	DB	B	W	G	N	DB	B
●	●						●			●				●				●	

W - White, G - Grey, N - Nature, DB - Dark brown, B-Blue

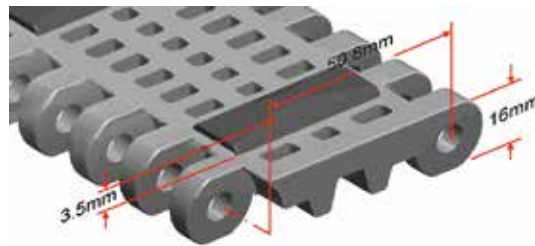


SPROCKET DIMENSIONS

No. teeth	PD [mm]	S [mm]	D [mm]	H [mm]	K [mm]
6	89	38.5/40.5	45.5	37	7x7
8	133	38.5/40.5	30/45.5	37	7x7
10	164	38.5/40.5	30/45.5/47.5	37	8x8
12	196	38.5/40.5	45.5/47.5	37	8x8

HS-100B-EL

Pitch	50.8 mm
Minimum width	150 mm
Open area	18%
Approved	FDA
Rod	∅ 6 mm
Flight	Yes
Side guard	Yes
Curve	No



DATA

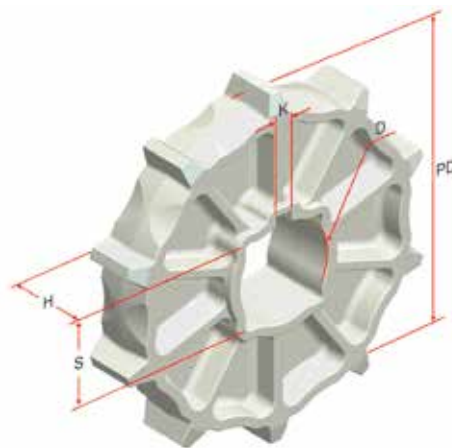
Belt material	Belt strenght			Temperature		Belt weight
	Straight		Curve	°C [min.]	°C [max.]	[kg/m ²]
	kg/m[BW]	N/m[BW]				
Polypropylene	1340	13400	-	1	70	7.5

BW - belt width

COLOR TABLE

Polypropylene					Polyethylene					Acetal					Nylon				
W	G	N	DB	B	W	G	N	DB	B	W	G	N	DB	B	W	G	N	DB	B
●	●																		

W - White, G - Grey, N - Nature, DB - Dark brown, B-Blue

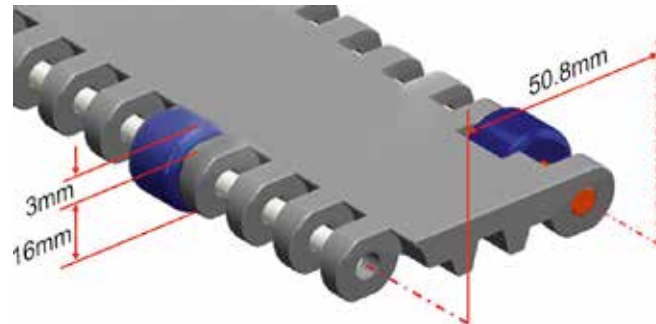


SPROCKET DIMENSIONS

No. teeth	PD [mm]	S [mm]	D [mm]	H [mm]	K [mm]
6	101.6	38.5/40.5	25.5/30.5/35.5	30	7x7
8	133	38.5/40.5	25.5/30.5/35.5/40.5/44.5	37	7x7
9	142	38.5/40.5	32.5/45.5/51	35	8x8
10	164	38.5/40.5/50.5/60.5	25.5/30.5/35.5/45.5	35	8x8
12	196	38.5/40.5	45.5/47.5	37	8x8
16	260	60.5/63.5	-	46	-

HS-100C

Pitch	50.8 mm
Minimum width	150 mm
Open area	0%
Approved	FDA
Rod	Ø 6 mm
Flight	No
Side guard	No
Curve	No



DATA

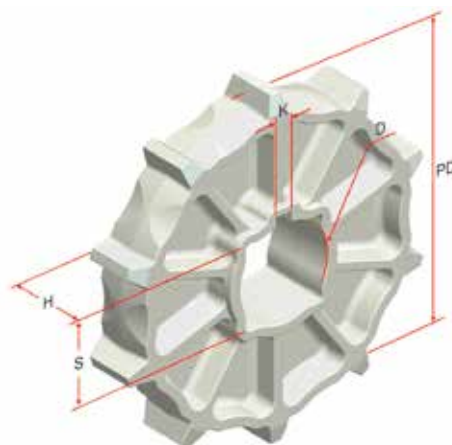
Belt material	Belt strenght			Temperature		Belt weight [kg/m ²]
	Straight		Curve	°C [min.]	°C [max.]	
	kg/m[BW]	N/m[BW]				
Polypropylene	1340	13400	-	1	100	8.9
Polyethylene	1280	12800	-	-60	60	9.8
Acetal	1770	17700	-	-40	80	13.8
Nylon	1520	15200	-	1	180	11.9

BW - belt width

COLOR TABLE

Polypropylene					Polyethylene					Acetal					Nylon				
W	G	N	DB	B	W	G	N	DB	B	W	G	N	DB	B	W	G	N	DB	B
●	●						●			●				●				●	

W - White, G - Grey, N - Nature, DB - Dark brown, B-Blue



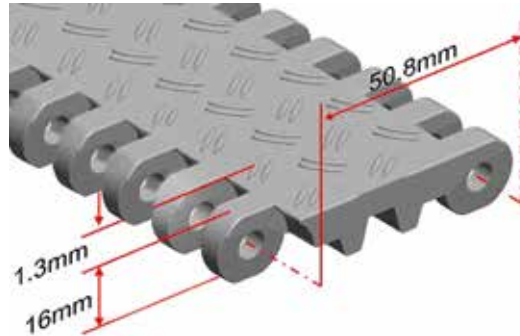
SPROCKET DIMENSIONS

No. teeth	PD [mm]	S [mm]	D [mm]	H [mm]	K [mm]
6	101.6	38.5/40.5	25.5/30.5/35.5	30	7x7
8	133	38.5/40.5	25.5/30.5/35.5/40.5/44.5	37	7x7
9	142	38.5/40.5	32.5/45.5/51	35	8x8
10	164	38.5/40.5/50.5/60.5	25.5/30.5/35.5/45.5	35	8x8
12	196	38.5/40.5	45.5/47.5	37	8x8
16	260	60.5/63.5	-	46	-

HS-100D

10

Pitch	50.8 mm
Minimum width	150 mm
Open area	0%
Approved	FDA
Rod	∅ 6 mm
Flight	Yes
Side guard	Yes
Curve	No



DATA

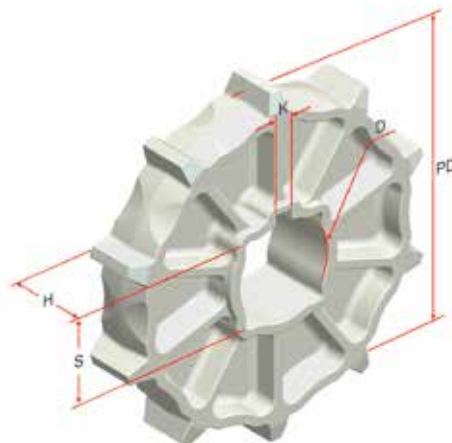
Belt material	Belt strenght			Temperature		Belt weight [kg/m ²]
	Straight		Curve	°C [min.]	°C [max.]	
	kg/m[BW]	N/m[BW]				
Polypropylene	1340	13400	-	1	100	8.8
Polyethylene	1280	12800	-	-60	60	9.0
Acetal	1770	17700	-	-40	80	13.3
Nylon	1520	15200	-	1	180	12.7

BW - belt width

COLOR TABLE

Polypropylene					Polyethylene					Acetal					Nylon				
W	G	N	DB	B	W	G	N	DB	B	W	G	N	DB	B	W	G	N	DB	B
●	●						●			●				●				●	

W - White, G - Grey, N - Nature, DB - Dark brown, B-Blue

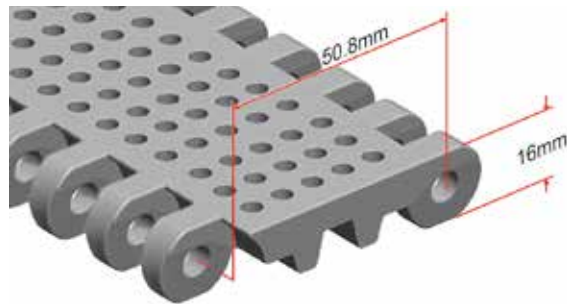


SPROCKET DIMENSIONS

No. teeth	PD [mm]	S [mm]	D [mm]	H [mm]	K [mm]
6	101.6	38.5/40.5	25.5/30.5/35.5	30	7x7
8	133	38.5/40.5	25.5/30.5/35.5/40.5/44.5	37	7x7
9	142	38.5/40.5	32.5/45.5/51	35	8x8
10	164	38.5/40.5/50.5/60.5	25.5/30.5/35.5/45.5	35	8x8
12	196	38.5/40.5	45.5/47.5	37	8x8
16	260	60.5/63.5	-	46	-

HS-101B

Pitch	50.8 mm
Minimum width	150 mm
Open area	11.5%
Approved	FDA
Rod	Ø 6 mm
Flight	Yes
Side guard	Yes
Curve	No



DATA

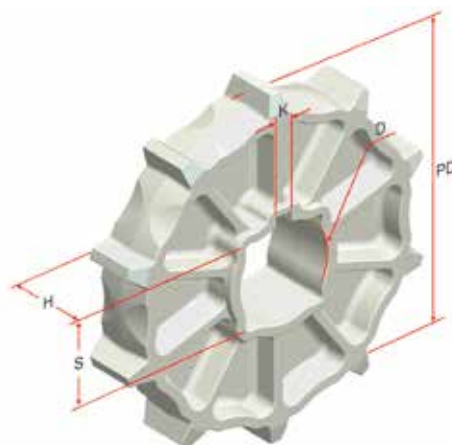
Belt material	Belt strenght			Temperature		Belt weight [kg/m ²]
	Straight		Curve	°C [min.]	°C [max.]	
	kg/m[BW]	N/m[BW]				
Polypropylene	1340	13400	-	1	100	7.6
Polyethylene	1280	12800	-	-60	60	8.7
Acetal	1770	17700	-	-40	80	10.7
Nylon	1520	15200	-	1	180	9.6

BW - belt width

COLOR TABLE

Polypropylene					Polyethylene					Acetal					Nylon				
W	G	N	DB	B	W	G	N	DB	B	W	G	N	DB	B	W	G	N	DB	B
●	●						●			●				●				●	

W - White, G - Grey, N - Nature, DB - Dark brown, B-Blue



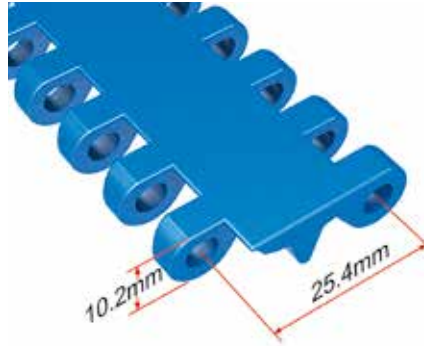
SPROCKET DIMENSIONS

No. teeth	PD [mm]	S [mm]	D [mm]	H [mm]	K [mm]
6	101.6	38.5/40.5	25.5/30.5	30	7x7
8	133	38.5/40.5	44.5/45.5/46.5	37	7x7
10	164	38.5/40.5	-	35	8x8
12	196	38.5/40.5	45.5/47.5	37	8x8
16	260	60.5	-	46	7x7

HS-200A-HD

12

Pitch	25.4 mm
Minimum width	152 mm
Open area	0%
Approved	FDA
Rod	Ø 5.3 mm
Flight	Yes
Side guard	Yes
Curve	No



DATA

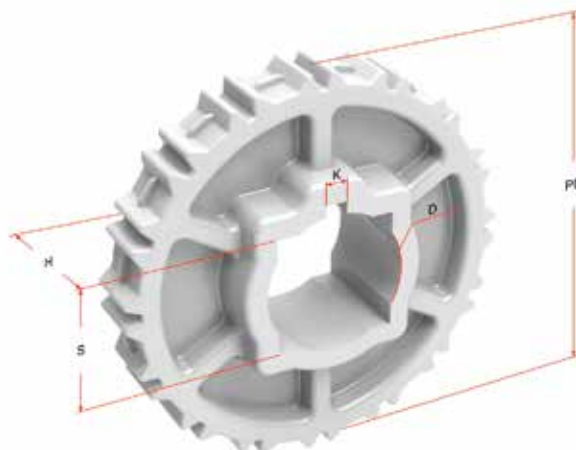
Belt material	Belt strenght			Temperature		Belt weight [kg/m ²]
	Straight		Curve	°C [min.]	°C [max.]	
	kg/m[BW]	N/m[BW]				
Polypropylene	1155	11550	-	1	100	4.25
Polyethylene	1105	11050	-	-60	60	4.4
Acetal	1520	15200	-	-40	80	6.2
Nylon	1310	13100	-	1	180	5.4

BW - belt width

COLOR TABLE

Polypropylene					Polyethylene					Acetal					Nylon				
W	G	N	DB	B	W	G	N	DB	B	W	G	N	DB	B	W	G	N	DB	B
●	●						●			●				●				●	

W - White, G - Grey, N - Nature, DB - Dark brown, B-Blue

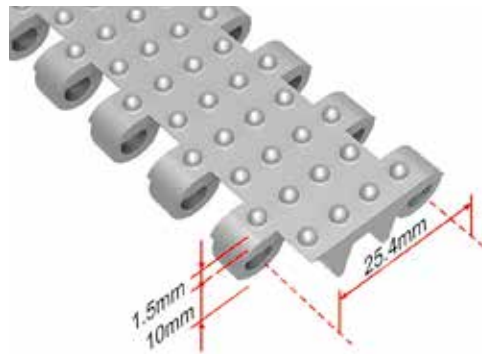


SPROCKET DIMENSIONS

No. teeth	PD [mm]	S [mm]	D [mm]	H [mm]	K [mm]
8	64	25.5	25.5/30.5	22	6x6
10	82	38.5/40.5	25.5/45.5	22	7x7
12	98	38.5/40.5	25.3/30.5/45.5	38	7x7
16	130	38.5/40.5	45.5	34	7x7
20	162	38.5/40.5	45.5	38	7x7

HS-200AN

Pitch	25.4 mm
Minimum width	150 mm
Open area	0%
Approved	FDA
Rod	Ø 5 mm
Flight	Yes
Side guard	Yes
Curve	No



DATA

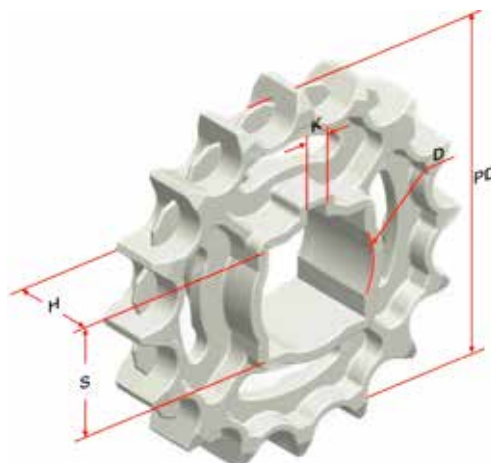
Belt material	Belt strenght			Temperature		Belt weight [kg/m ²]
	Straight		Curve	°C [min.]	°C [max.]	
	kg/m[BW]	N/m[BW]				
Polypropylene	1155	11550	-	1	100	5.34
Polyethylene	1105	11050	-	-60	60	-
Acetal	1520	15200	-	-40	80	-
Nylon	1310	13100	-	1	180	-

BW - belt width

COLOR TABLE

Polypropylene					Polyethylene					Acetal					Nylon				
W	G	N	DB	B	W	G	N	DB	B	W	G	N	DB	B	W	G	N	DB	B
●	●						●			●				●				●	

W - White, G - Grey, N - Nature, DB - Dark brown, B-Blue

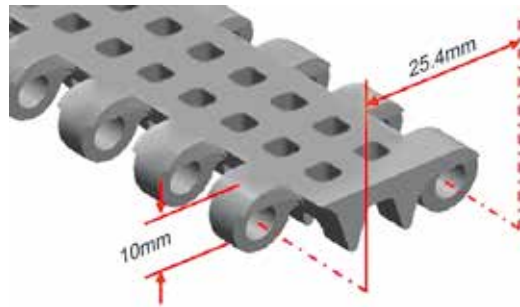


SPROCKET DIMENSIONS

No. teeth	PD [mm]	S [mm]	D [mm]	H [mm]	K [mm]
8	64	-	30.5	22	6x6
10	83	38.5/40.5	25.5/30.5/45.5	22	7x7
12	98	35.5/38.5/40.5	25.5/30/45.5	38	7x7
16	130	35.5/38.5/40.5	25.5/30/47.5	34	7x7
20	162	40.5	47.5	38	7x7

HS-200B

Pitch	25.4 mm
Minimum width	150 mm
Open area	15%
Approved	FDA
Rod	Ø 5,3 mm
Flight	Yes
Side guard	Yes
Curve	No



DATA

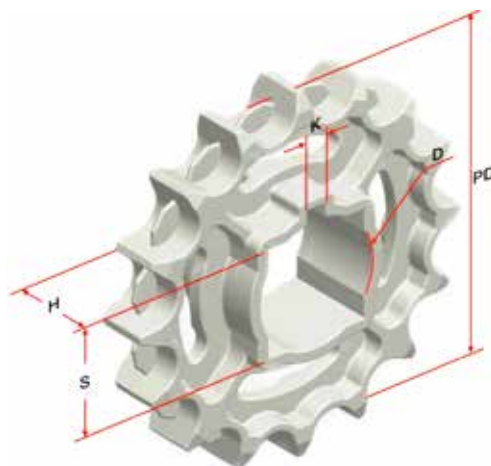
Belt material	Belt strenght			Temperature		Belt weight [kg/m ²]
	Straight		Curve	°C [min.]	°C [max.]	
	kg/m[BW]	N/m[BW]				
Polypropylene	1155	11550	-	1	100	4.3
Polyethylene	1105	11050	-	-60	60	4.4
Acetal	1520	15200	-	-40	80	6.6
Nylon	1310	13100	-	1	180	6.0

BW - belt width

COLOR TABLE

Polypropylene					Polyethylene					Acetal					Nylon				
W	G	N	DB	B	W	G	N	DB	B	W	G	N	DB	B	W	G	N	DB	B
●	●						●			●				●				●	

W - White, G - Grey, N - Nature, DB - Dark brown, B-Blue

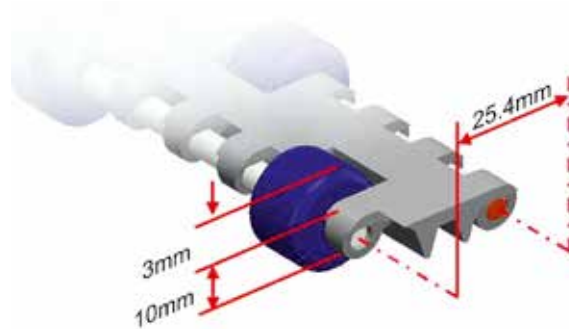


SPROCKET DIMENSIONS

No. teeth	PD [mm]	S [mm]	D [mm]	H [mm]	K [mm]
8	64	-	30.5	22	6x6
10	83	38.5/40.5	25.5/30.5/45.5	22	7x7
12	98	35.5/38.5/40.5	25.5/30/45.5	38	7x7
16	130	35.5/38.5/40.5	25.5/30/47.5	34	7x7
20	162	40.5	47.5	38	7x7

HS-200C

Pitch	25.4 mm
Minimum width	150 mm
Open area	0%
Approved	FDA
Rod	Ø 5 mm
Flight	No
Side guard	No
Curve	No



DATA

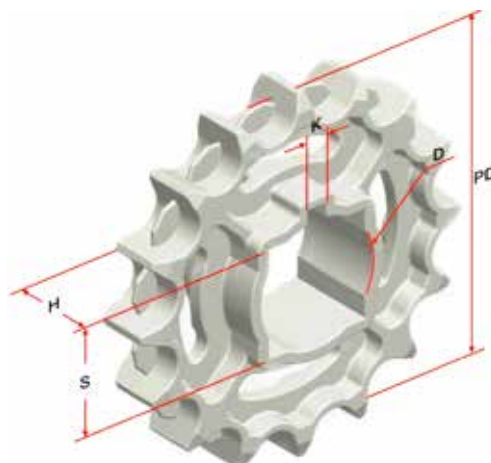
Belt material	Belt strength			Temperature		Belt weight [kg/m ²]
	Straight		Curve	°C [min.]	°C [max.]	
	kg/m[BW]	N/m[BW]				
Polypropylene	1155	11550	-	1	100	6.3
Polyethylene	1105	11050	-	-60	60	6.8
Acetal	1520	15200	-	-40	80	7.3
Nylon	1310	13100	-	1	180	7.0

BW - belt width

COLOR TABLE

Polypropylene					Polyethylene					Acetal					Nylon				
W	G	N	DB	B	W	G	N	DB	B	W	G	N	DB	B	W	G	N	DB	B
●	●						●			●				●				●	

W - White, G - Grey, N - Nature, DB - Dark brown, B-Blue



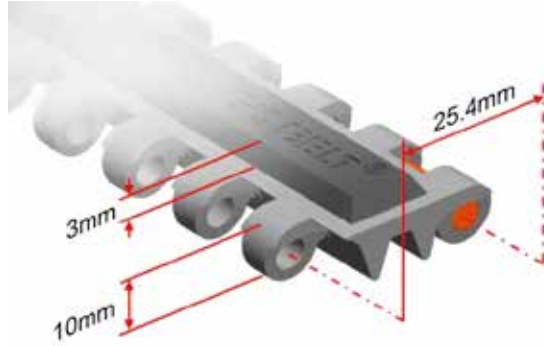
SPROCKET DIMENSIONS

No. teeth	PD [mm]	S [mm]	D [mm]	H [mm]	K [mm]
8	64	-	30.5	22	6x6
10	83	38.5/40.5	25.5/30.5/45.5	22	7x7
12	98	35.5/38.5/40.5	25.5/30/45.5	38	7x7
16	130	35.5/38.5/40.5	25.5/30/47.5	34	7x7
20	162	40.5	47.5	38	7x7

HS-200EL

16

Pitch	25.4 mm
Minimum width	150 mm
Open area	0%
Approved	FDA
Rod	Ø 5 mm
Flight	Yes
Side guard	Yes
Curve	No



DATA

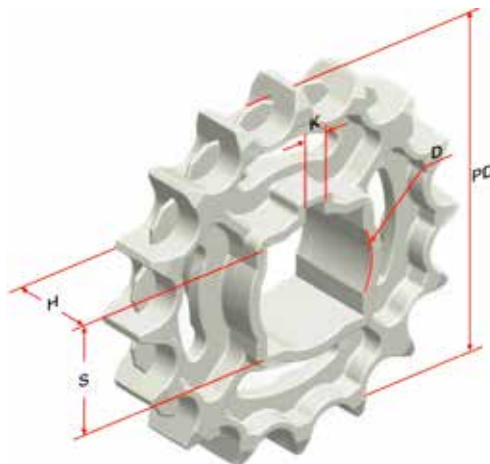
Belt material	Belt strenght		Curve	Temperature		Belt weight [kg/m ²]
	Straight			°C [min.]	°C [max.]	
	kg/m[BW]	N/m[BW]				
Polypropylene	1155	11550	-	1	100	6.0

BW - belt width

COLOR TABLE

Polypropylene					Polyethylene					Acetal					Nylon				
W	G	N	DB	B	W	G	N	DB	B	W	G	N	DB	B	W	G	N	DB	B
●	●																		

W - White, G - Grey, N - Nature, DB - Dark brown, B-Blue

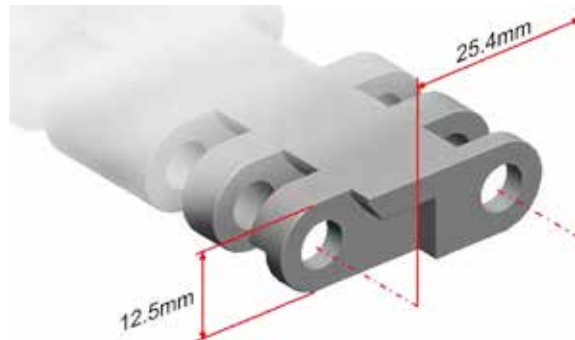


SPROCKET DIMENSIONS

No. teeth	PD [mm]	S [mm]	D [mm]	H [mm]	K [mm]
8	64	-	30.5	22	6x6
10	83	38.5/40.5	25.5/30.5/45.5	22	7x7
12	98	35.5/38.5/40.5	25.5/30/45.5	38	7x7
16	130	35.5/38.5/40.5	25.5/30/47.5	34	7x7
20	162	40.5	47.5	38	7x7

HS-201A

Pitch	25.4 mm
Minimum width	150 mm
Open area	0%
Approved	FDA
Rod	∅ 5 mm
Flight	No
Side guard	No
Curve	No



DATA

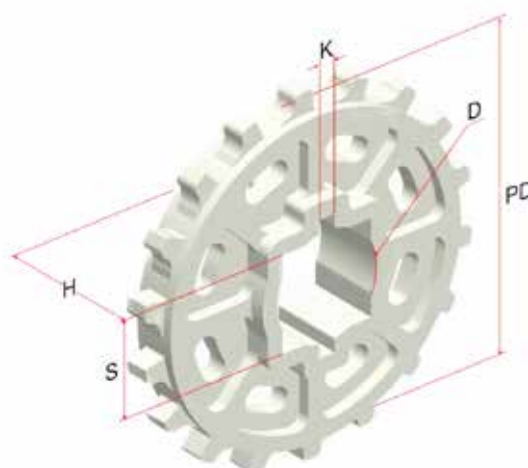
Belt material	Belt strenght			Temperature		Belt weight [kg/m ²]
	Straight		Curve	°C [min.]	°C [max.]	
	kg/m[BW]	N/m[BW]				
Polypropylene	1270	12700	-	1	100	6.8
Polyethylene	1210	12100	-	-60	60	7.0
Acetal	1680	16800	-	-40	80	9.9
Nylon	1440	14400	-	1	180	8.6

BW - belt width

COLOR TABLE

Polypropylene					Polyethylene					Acetal					Nylon				
W	G	N	DB	B	W	G	N	DB	B	W	G	N	DB	B	W	G	N	DB	B
●	●						●			●				●				●	

W - White, G - Grey, N - Nature, DB - Dark brown, B-Blue



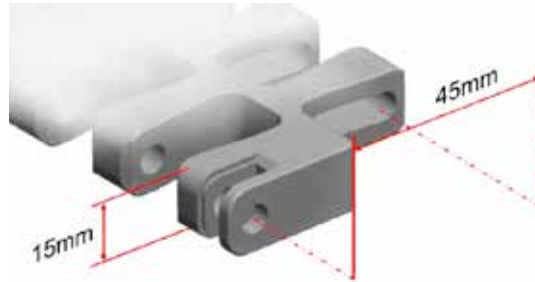
SPROCKET DIMENSIONS

No. teeth	PD [mm]	S [mm]	D [mm]	H [mm]	K [mm]
18	145	38.5/40.5	40.5/45.5	30	7x7

HS-300B-HD

18

Pitch	45 mm
Minimum width	218 mm
Open area	38%
Approved	FDA
Rod	Ø 6 mm
Flight	No
Side guard	Yes
Curve	Yes



DATA

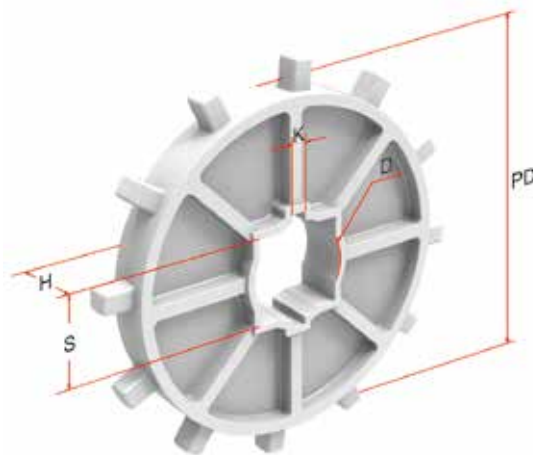
Belt material	Belt strenght				Temperature		Belt weight [kg/m ²]
	Straight		Curve		°C [min.]	°C [max.]	
	kg/m[BW]	N/m[BW]	kg/m[BW]	N/m[BW]			
Polypropylene	2060	20600	206	2060	1	100	6.8
Polyethylene	1460	14600	146	1460	-60	60	7.2
Acetal	3170	31700	317	3170	-40	80	10.3
Nylon	2050	20500	205	2050	1	180	9.6

BW - belt width

COLOR TABLE

Polypropylene					Polyethylene					Acetal					Nylon				
W	G	N	DB	B	W	G	N	DB	B	W	G	N	DB	B	W	G	N	DB	B
●	●						●			●				●				●	

W - White, G - Grey, N - Nature, DB - Dark brown, B-Blue

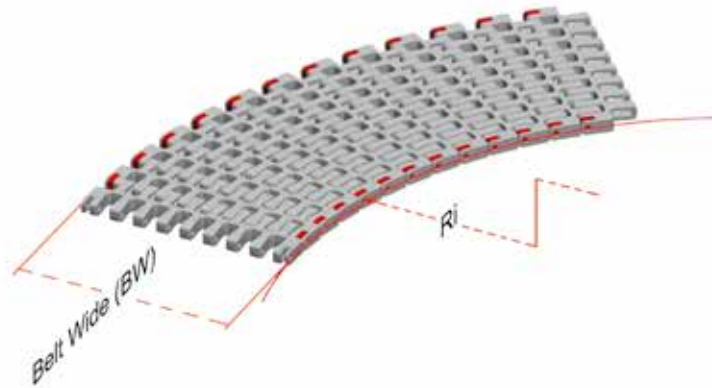


SPROCKET DIMENSIONS

No. teeth	PD [mm]	S [mm]	D [mm]	H [mm]	K [mm]
8	120	38.5/40.5	-	25	-
12	185	38.5/40.5	46.5	24	6x6

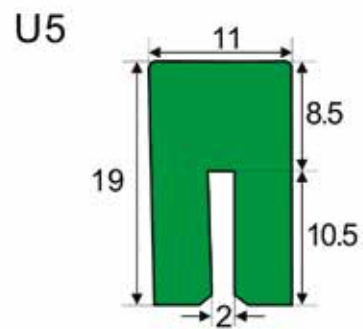
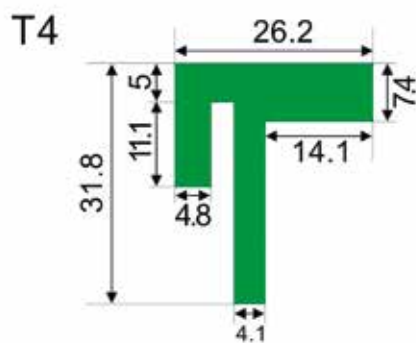
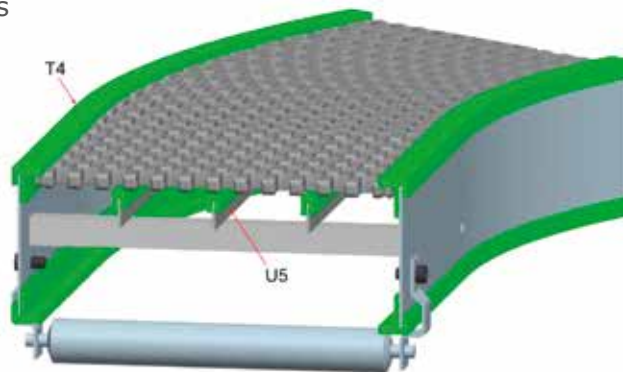
HS-300B-HD

Design Guide Summary



- The minimum turning radius (inside) is 2.2 times of belt width under all feasible belt width, 2.5 times of belt width is the most optimal.
- The minimum straight run section near driving shaft and idling shaft of radius belt must be 2 times of the belt width in length.
- The minimum straight run section between two turns of opposing direction must be 2 times of the belt width in length.

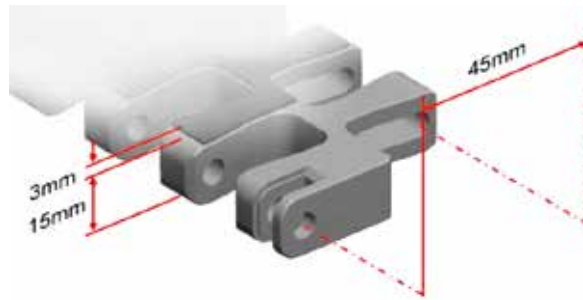
Guide Rail & Wear Strips



- We have different kinds of guide rail and wear strips for your choice; For more information, please consult our sales team.

HS-300B-HD-EL

Pitch	45 mm
Minimum width	218 mm
Open area	38%
Approved	FDA
Rod	Ø 6 mm
Flight	No
Side guard	Yes
Curve	Yes



DATA

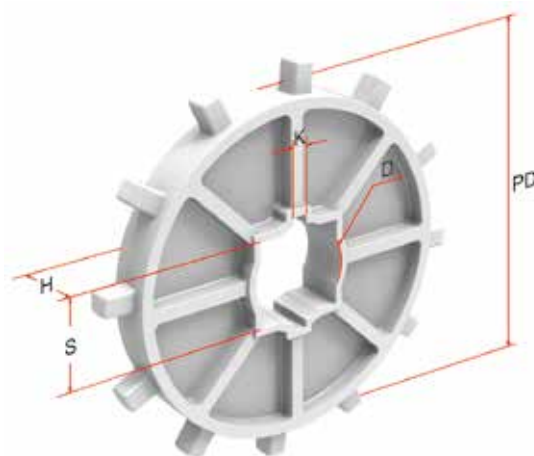
Belt material	Belt strenght				Temperature		Belt weight [kg/m ²]
	Straight		Curve		°C [min.]	°C [max.]	
	kg/m[BW]	N/m[BW]	kg/m[BW]	N/m[BW]			
Polypropylene	2060	20600	206	2060	1	70	7.6

BW - belt width

COLOR TABLE

Polypropylene					Polyethylene					Acetal					Nylon				
W	G	N	DB	B	W	G	N	DB	B	W	G	N	DB	B	W	G	N	DB	B
●	●																		

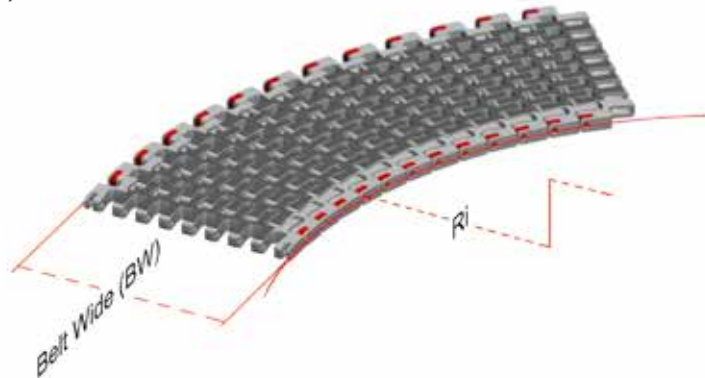
W - White, G - Grey, N - Nature, DB - Dark brown, B-Blue



SPROCKET DIMENSIONS

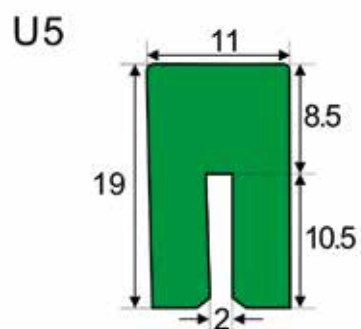
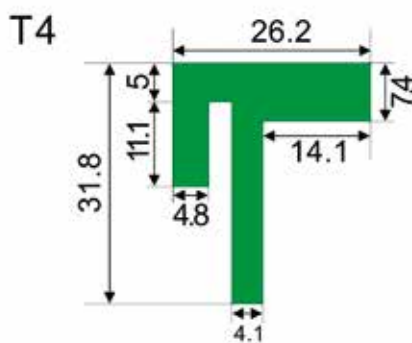
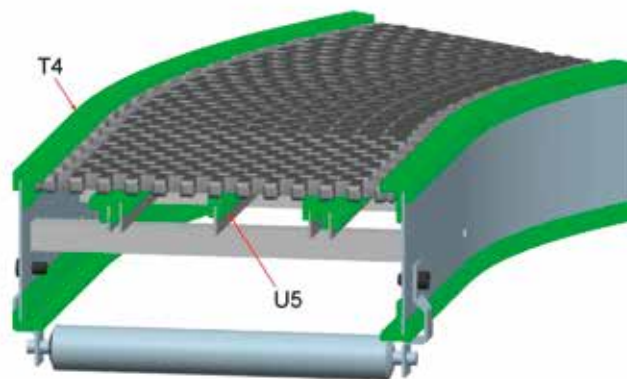
No. teeth	PD [mm]	S [mm]	D [mm]	H [mm]	K [mm]
8	120	38.5/40.5	-	25	-
12	185	38.5/40.5	46.5	24	6x6

Design Guide Summary



- The minimum turning radius (inside) is 2.2 times of belt width under all feasible belt width, 2.5 times of belt width is the most optimal.
- The minimum straight run section near driving shaft and idling shaft of radius belt must be 2 times of the belt width in length.
- The minimum straight run section between two turns of opposing direction must be 2 times of the belt width in length.

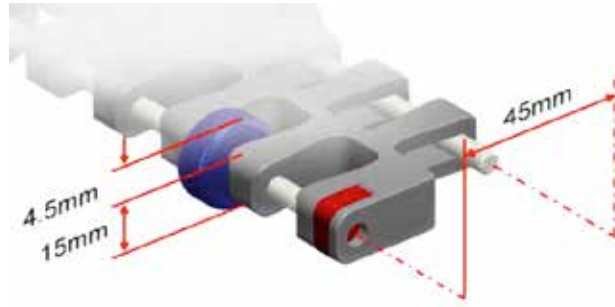
Guide Rail & Wear Strips



- We have different kinds of guide rail and wear strips for your choice; For more information, please consult our sales team.

HS-300B-HD-C

Pitch	45 mm
Minimum width	218 mm
Open area	38%
Approved	FDA
Rod	Ø 6 mm
Flight	No
Side guard	Yes
Curve	Yes



DATA

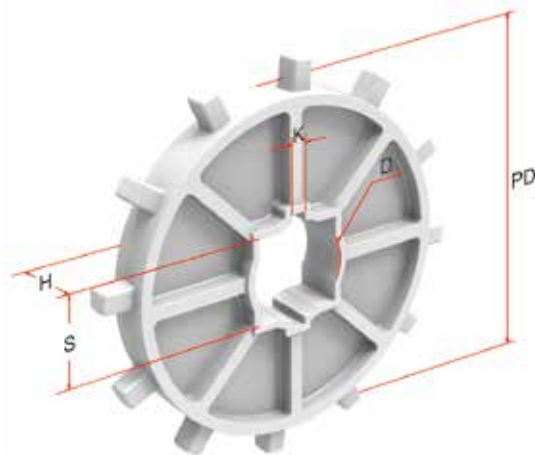
Belt material	Belt strenght				Temperature		Belt weight [kg/m ²]
	Straight		Curve		°C [min.]	°C [max.]	
	kg/m[BW]	N/m[BW]	kg/m[BW]	N/m[BW]			
Polypropylene	2060	20600	206	2060	1	100	7.1
Polyethylene	1460	14600	146	1460	-60	60	7.6
Acetal	3170	31700	317	3170	-40	80	10.5
Nylon	2050	20500	205	2050	1	180	9.7

BW - belt width

COLOR TABLE

Polypropylene					Polyethylene					Acetal					Nylon				
W	G	N	DB	B	W	G	N	DB	B	W	G	N	DB	B	W	G	N	DB	B
●	●						●			●				●				●	

W - White, G - Grey, N - Nature, DB - Dark brown, B-Blue

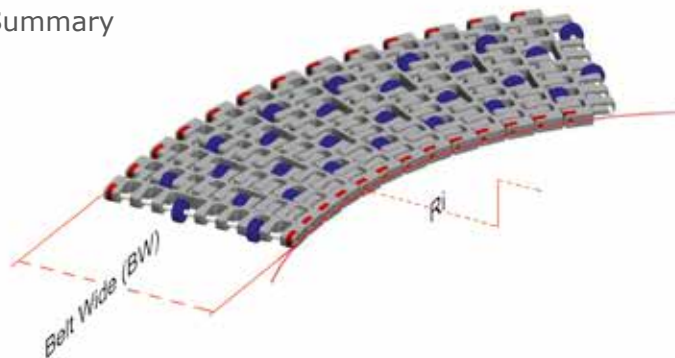


SPROCKET DIMENSIONS

No. teeth	PD [mm]	S [mm]	D [mm]	H [mm]	K [mm]
8	120	38.5/40.5	-	25	-
12	185	38.5/40.5	46.5	24	6x6

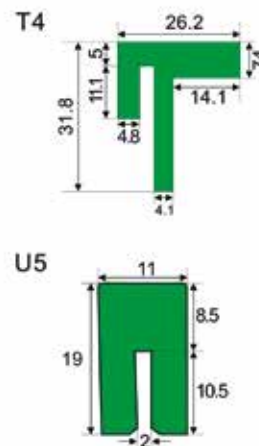
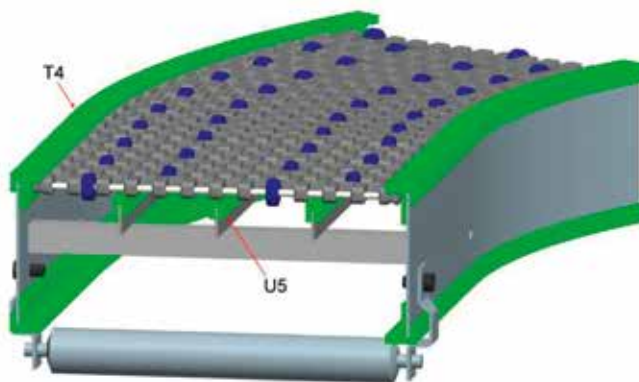
HS-300B-HD-C

Design Guide Summary



- The minimum turning radius (inside) is 2.2 times of belt width under all feasible belt width, 2.5 times of belt width is the most optimal.
- The minimum straight run section near driving shaft and idling shaft of radius belt must be 2 times of the belt width in length.
- The minimum straight run section between two turns of opposing direction must be 2 times of the belt width in length.

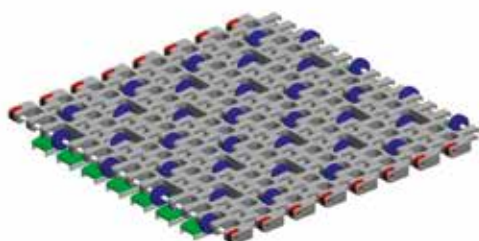
Guide Rail & Wear Strips



- We have different kinds of guide rail and wear strips for your choice; For more information, please consult our sales team.

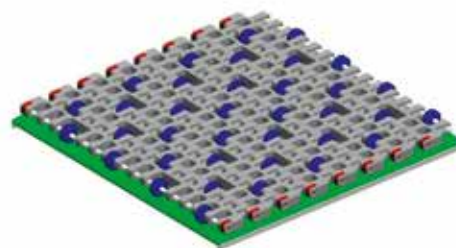
Support Mode & Insert Roller

Accumulation



Wear Strips are placed between rollers for accumulation.

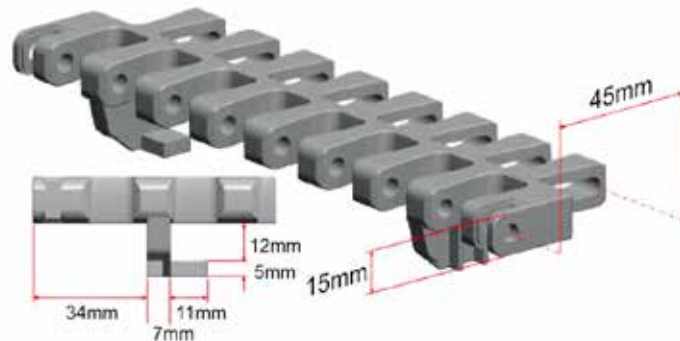
Multi - Speed



Wear Strips are placed under the rollers and the speed of products on the belt will be 2 times of the belt speed.

HS-300B-HD-GB

Pitch	45 mm
Minimum width	218 mm
Open area	38%
Approved	FDA
Rod	Ø 6 mm
Flight	No
Side guard	Yes
Curve	Yes



DATA

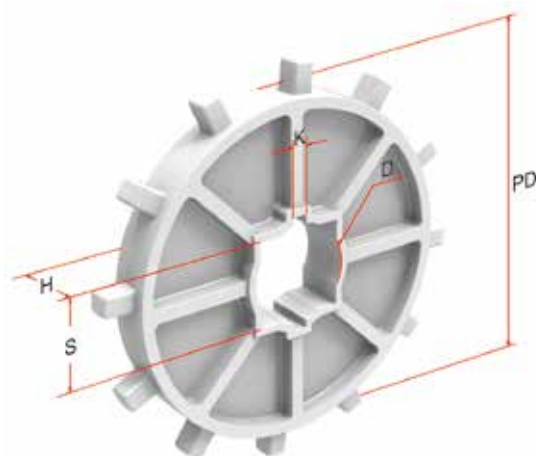
Belt material	Belt strenght				Temperature		Belt weight [kg/m ²]
	Straight		Curve		°C [min.]	°C [max.]	
	kg/m[BW]	N/m[BW]	kg/m[BW]	N/m[BW]			
Polypropylene	2060	20600	206	2060	1	100	6.8
Polyethylene	1460	14600	146	1460	-60	60	7.2
Acetal	3170	31700	317	3170	-40	80	10.3
Nylon	2050	20500	205	2050	1	180	9.6

BW - belt width

COLOR TABLE

Polypropylene					Polyethylene					Acetal					Nylon				
W	G	N	DB	B	W	G	N	DB	B	W	G	N	DB	B	W	G	N	DB	B
●	●						●			●				●				●	

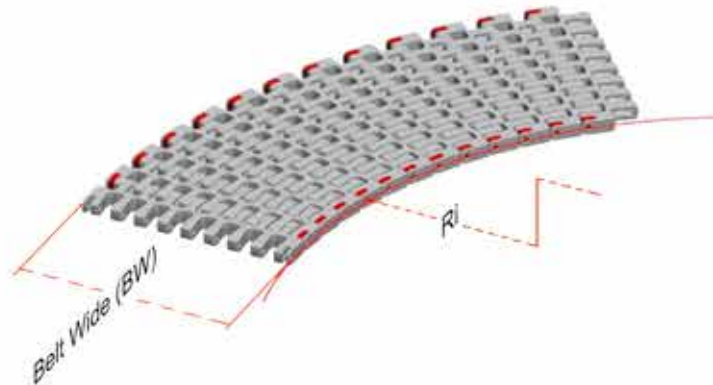
W - White, G - Grey, N - Nature, DB - Dark brown, B-Blue



SPROCKET DIMENSIONS

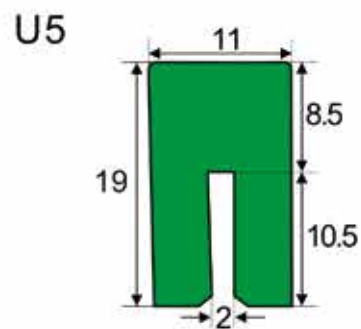
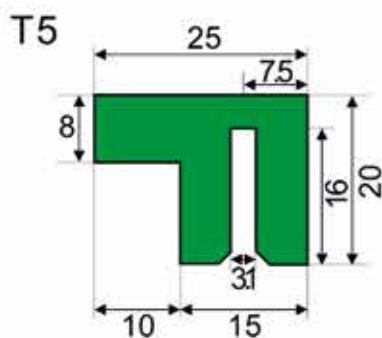
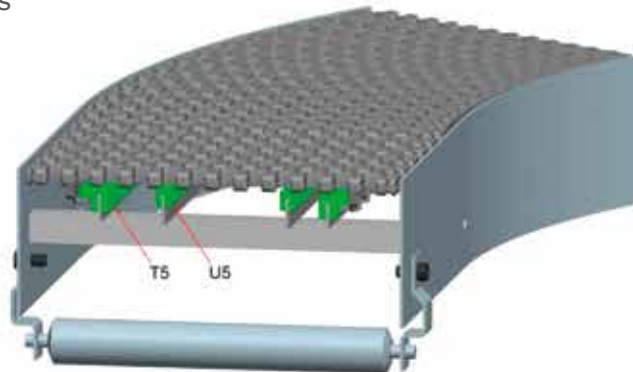
No. teeth	PD [mm]	S [mm]	D [mm]	H [mm]	K [mm]
8	120	38.5/40.5	-	25	-
12	185	38.5/40.5	46.5	24	6x6

Design Guide Summary



- The minimum turning radius (inside) is 2.2 times of belt width under all feasible belt width, 2.5 times of belt width is the most optimal.
- The minimum straight run section near driving shaft and idling shaft of radius belt must be 2 times of the belt width in length.
- The minimum straight run section between two turns of opposing direction must be 2 times of the belt width in length.

Guide Rail & Wear Strips

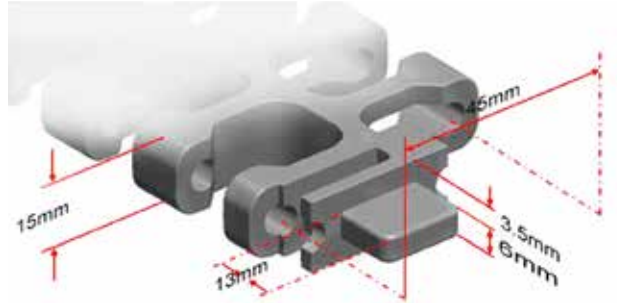


- We have different kinds of guide rail and wear strips for your choice; For more information, please consult our sales team.

HS-300B-PLUS

26

Pitch	45 mm
Minimum width	240 mm
Open area	52%
Approved	FDA
Rod	Ø 6 mm
Flight	No
Side guard	No
Curve	Yes



DATA

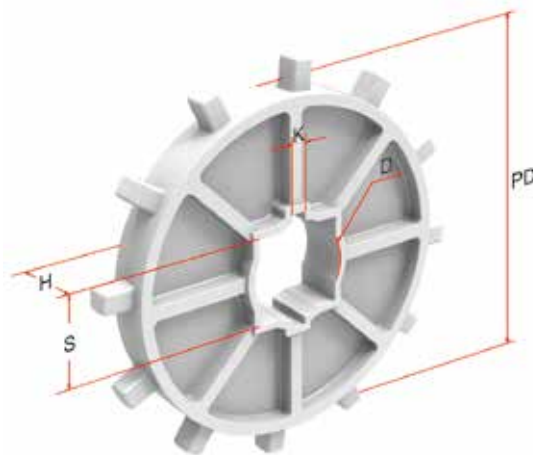
Belt material	Belt strenght				Temperature		Belt weight [kg/m ²]
	Straight		Curve		°C [min.]	°C [max.]	
	kg/m[BW]	N/m[BW]	kg/m[BW]	N/m[BW]			
Polypropylene	1870	18700	187	187	1	100	5.6
Polyethylene	1330	13300	133	133	-60	60	6.4
Acetal	2900	29000	290	290	-40	80	7.8
Nylon	1870	18700	187	187	1	180	8.7

BW - belt width

COLOR TABLE

Polypropylene					Polyethylene					Acetal					Nylon				
W	G	N	DB	B	W	G	N	DB	B	W	G	N	DB	B	W	G	N	DB	B
●	●						●			●				●				●	

W - White, G - Grey, N - Nature, DB - Dark brown, B-Blue

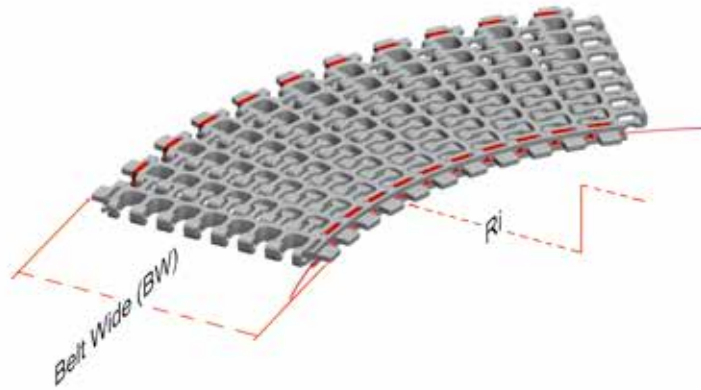


SPROCKET DIMENSIONS

No. teeth	PD [mm]	S [mm]	D [mm]	H [mm]	K [mm]
8	120	38.5/40.5	-	25	-
12	185	38.5/40.5	46.5	24	6x6

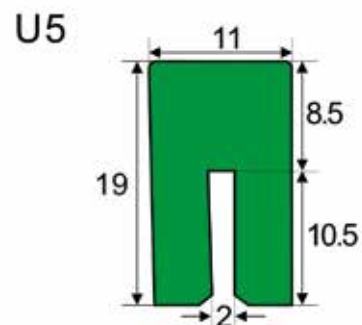
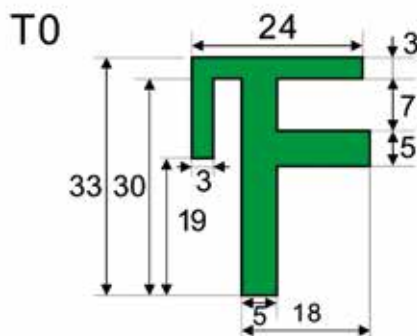
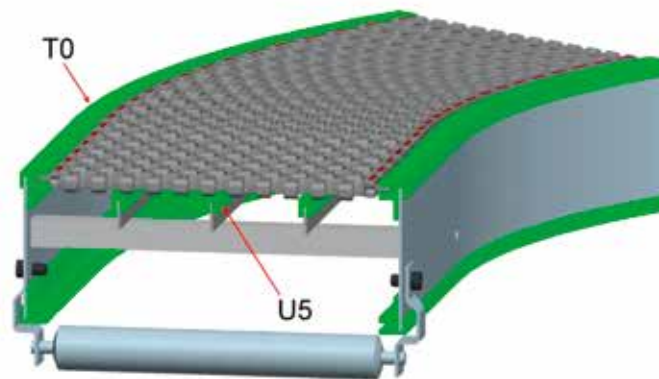
HS-300B-PLUS

Design Guide Summary



- The minimum turning radius (inside) is 2.2 times of belt width under all feasible belt width, 2.5 times of belt width is the most optimal.
- The minimum straight run section near driving shaft and idling shaft of radius belt must be 2 times of the belt width in length.
- The minimum straight run section between two turns of opposing direction must be 2 times of the belt width in length.

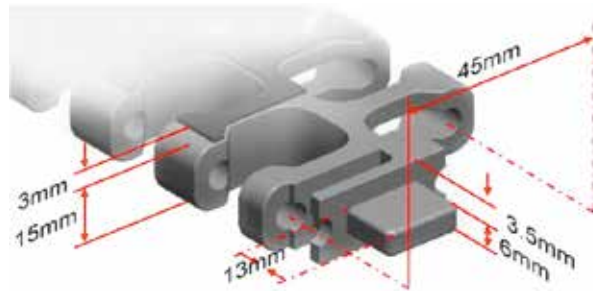
Guide Rail & Wear Strips



- We have different kinds of guide rail and wear strips for your choice; For more information, please consult our sales team.

HS-300B-PLUS-EL

Pitch	45 mm
Minimum width	240 mm
Open area	52%
Approved	FDA
Rod	Ø 6 mm
Flight	No
Side guard	No
Curve	Yes



DATA

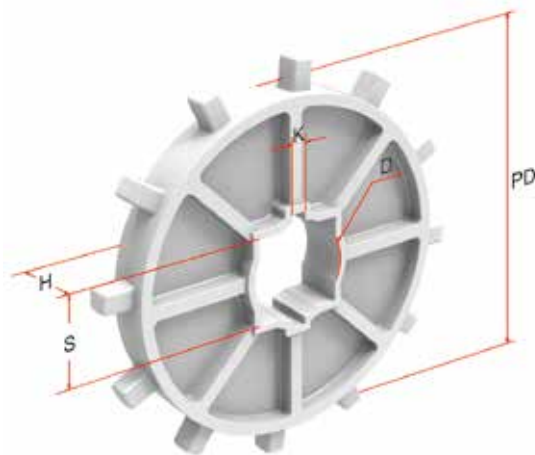
Belt material	Belt strenght				Temperature		Belt weight [kg/m ²]
	Straight		Curve		°C [min.]	°C [max.]	
	kg/m[BW]	N/m[BW]	kg/m[BW]	N/m[BW]			
Polypropylene	1870	18700	187	1870	1	70	6.4

BW - belt width

COLOR TABLE

Polypropylene					Polyethylene					Acetal					Nylon				
W	G	N	DB	B	W	G	N	DB	B	W	G	N	DB	B	W	G	N	DB	B
●	●																		

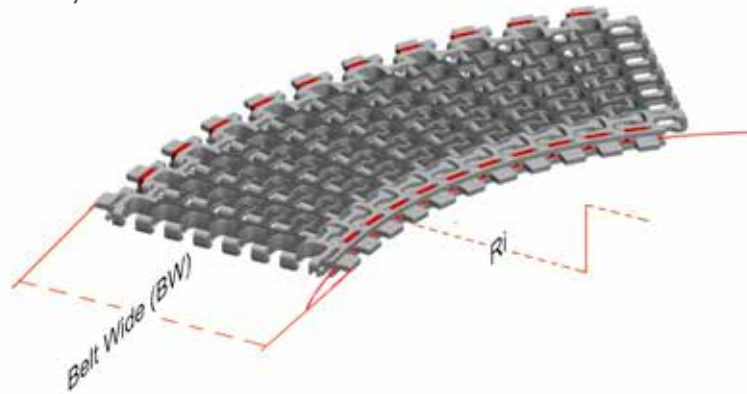
W - White, G - Grey, N - Nature, DB - Dark brown, B-Blue



SPROCKET DIMENSIONS

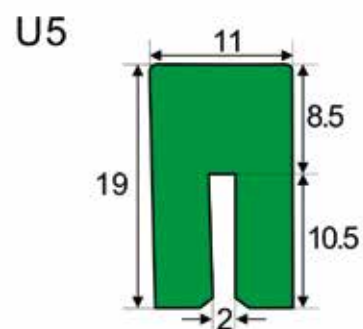
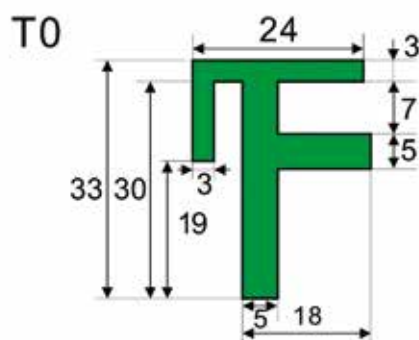
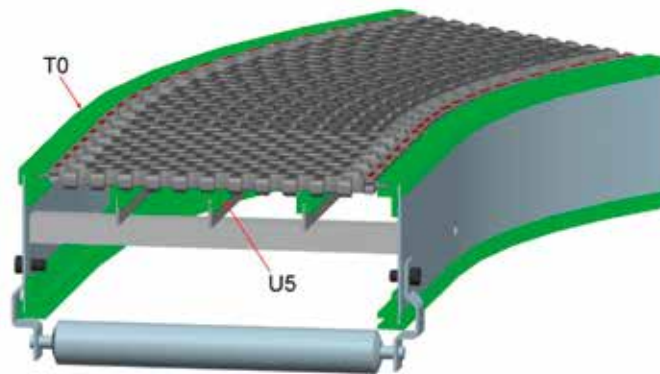
No. teeth	PD [mm]	S [mm]	D [mm]	H [mm]	K [mm]
8	120	38.5/40.5	-	25	-
12	185	38.5/40.5	46.5	24	6x6

Design Guide Summary



- The minimum turning radius (inside) is 2.2 times of belt width under all feasible belt width, 2.5 times of belt width is the most optimal.
- The minimum straight run section near driving shaft and idling shaft of radius belt must be 2 times of the belt width in length.
- The minimum straight run section between two turns of opposing direction must be 2 times of the belt width in length.

Guide Rail & Wear Strips

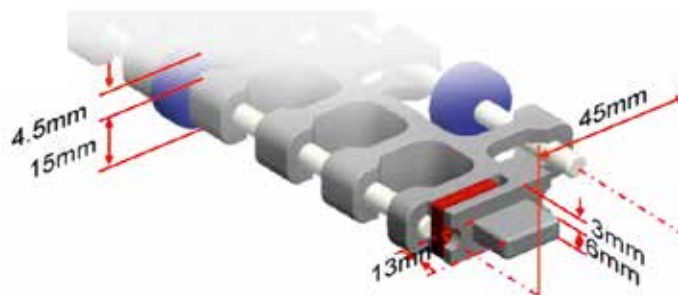


- We have different kinds of guide rail and wear strips for your choice; For more information, please consult our sales team.

HS-300B-PLUS C

30

Pitch	45 mm
Minimum width	240 mm
Open area	52%
Approved	FDA
Rod	∅ 6 mm
Flight	No
Side guard	No
Curve	Yes



DATA

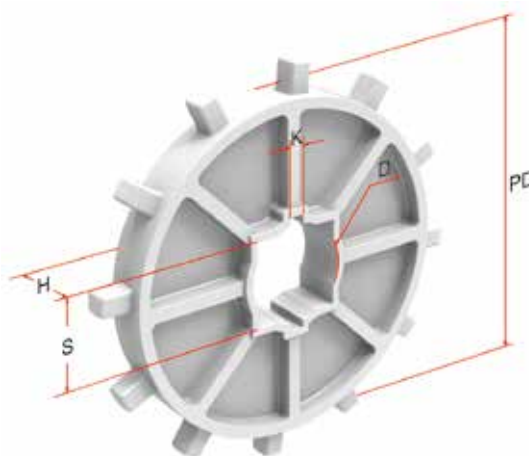
Belt material	Belt strenght				Temperature		Belt weight [kg/m ²]
	Straight		Curve		°C [min.]	°C [max.]	
	kg/m[BW]	N/m[BW]	kg/m[BW]	N/m[BW]			
Polypropylene	1870	18700	187	187	1	100	6.4
Polyethylene	1330	13300	133	133	-60	60	6.9
Acetal	2900	29000	290	290	-40	80	9.6
Nylon	1870	18700	187	187	1	180	8.8

BW - belt width

COLOR TABLE

Polypropylene					Polyethylene					Acetal					Nylon				
W	G	N	DB	B	W	G	N	DB	B	W	G	N	DB	B	W	G	N	DB	B
●	●						●			●				●				●	

W - White, G - Grey, N - Nature, DB - Dark brown, B-Blue

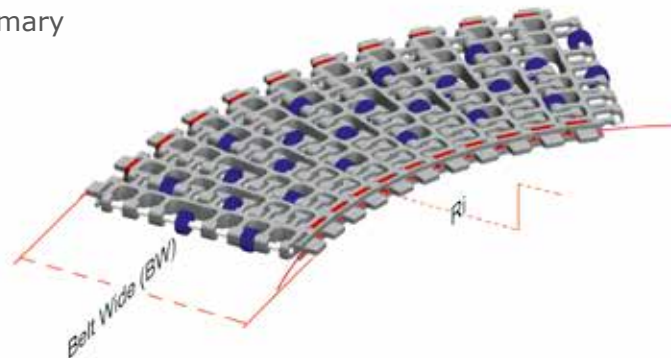


SPROCKET DIMENSIONS

No. teeth	PD [mm]	S [mm]	D [mm]	H [mm]	K [mm]
8	120	38.5/40.5	-	25	-
12	185	38.5/40.5	46.5	24	6x6

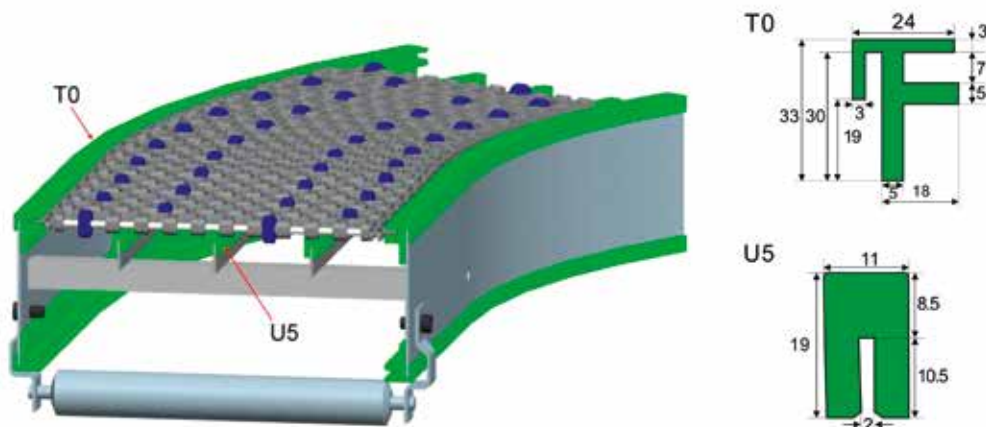
HS-300B-PLUS C

Design Guide Summary



- The minimum turning radius (inside) is 2.2 times of belt width under all feasible belt width, 2.5 times of belt width is the most optimal.
- The minimum straight run section near driving shaft and idling shaft of radius belt must be 2 times of the belt width in length.
- The minimum straight run section between two turns of opposing direction must be 2 times of the belt width in length.

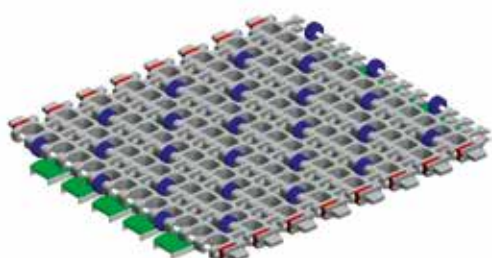
Guide Rail & Wear Strips



- We have different kinds of guide rail and wear strips for your choice; For more information, please consult our sales team.

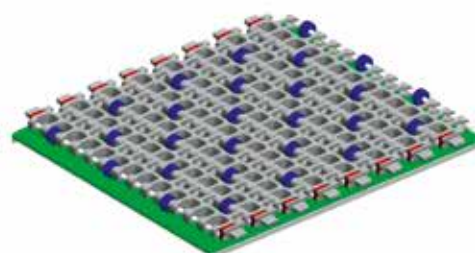
Support Mode & Insert Roller

Accumulation



Wear Strips are placed between rollers for accumulation.

Multi - Speed

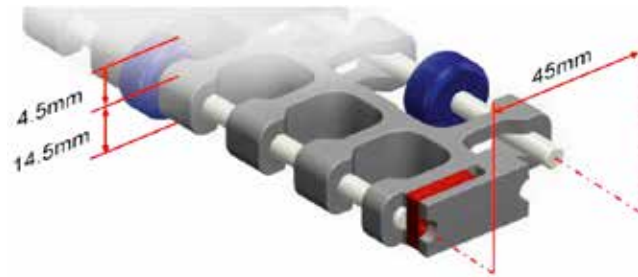


Wear Strips are placed under the rollers and the speed of products on the belt will be 2 times of the belt speed.

HS-300C

32

Pitch	45 mm
Minimum width	195 mm
Open area	52%
Approved	FDA
Rod	Ø 6 mm
Flight	No
Side guard	No
Curve	Yes



DATA

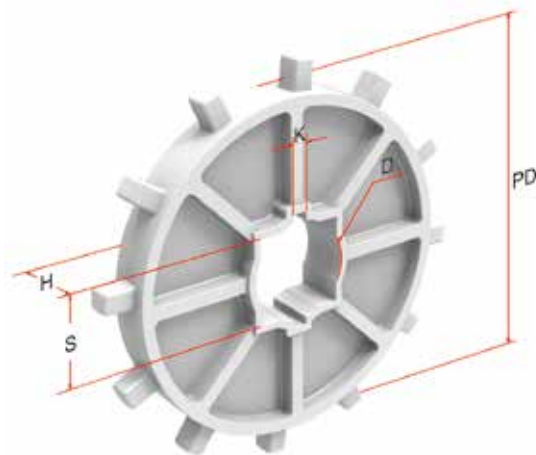
Belt material	Belt strenght				Temperature		Belt weight [kg/m ²]
	Straight		Curve		°C [min.]	°C [max.]	
	kg/m[BW]	N/m[BW]	kg/m[BW]	N/m[BW]			
Polypropylene	1870	18700	187	187	1	100	6.4
Polyethylene	1330	13300	133	133	-60	60	6.9
Acetal	2900	29000	290	290	-40	80	9.6
Nylon	1870	18700	187	187	1	180	8.8

BW - belt width

COLOR TABLE

Polypropylene					Polyethylene					Acetal					Nylon				
W	G	N	DB	B	W	G	N	DB	B	W	G	N	DB	B	W	G	N	DB	B
●	●						●			●				●				●	

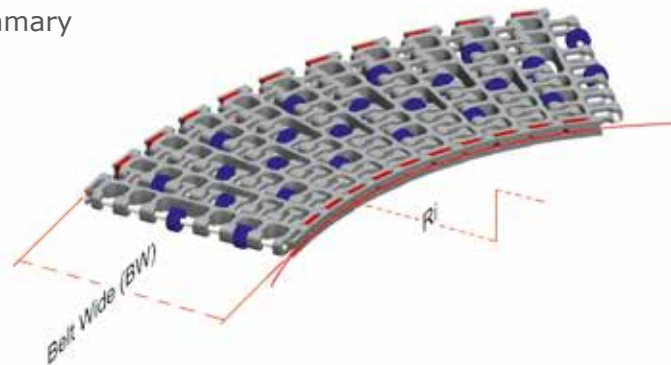
W - White, G - Grey, N - Nature, DB - Dark brown, B-Blue



SPROCKET DIMENSIONS

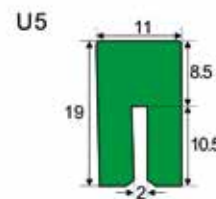
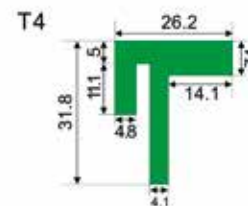
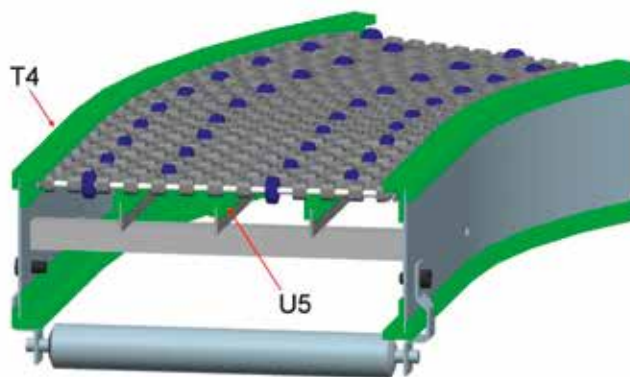
No. teeth	PD [mm]	S [mm]	D [mm]	H [mm]	K [mm]
8	120	38.5/40.5	-	25	-
12	185	38.5/40.5	46.5	24	6x6

Design Guide Summary



- The minimum turning radius (inside) is 2.2 times of belt width under all feasible belt width, 2.5 times of belt width is the most optimal.
- The minimum straight run section near driving shaft and idling shaft of radius belt must be 2 times of the belt width in length.
- The minimum straight run section between two turns of opposing direction must be 2 times of the belt width in length.

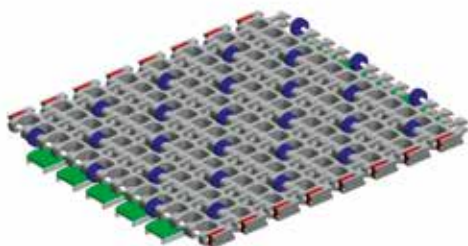
Guide Rail & Wear Strips



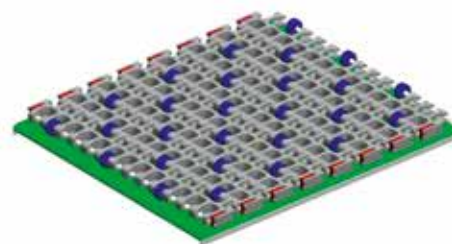
- We have different kinds of guide rail and wear strips for your choice; For more information, please consult our sales team.

Support Mode & Insert Roller

Accumulation



Multi - Speed

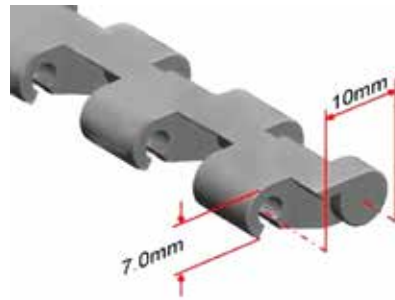


Wear Strips are placed between rollers for accumulation.

Wear Strips are placed under the rollers and the speed of products on the belt will be 2 times of the belt speed.

HS-400A

Pitch	10 mm
Minimum width	160 mm
Open area	0%
Approved	FDA
Rod	No
Flight	No
Side guard	No
Curve	No



DATA

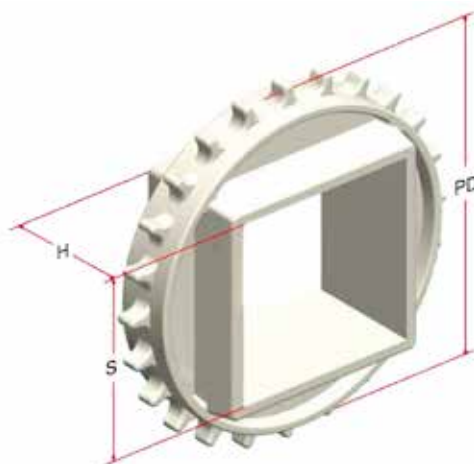
Belt material	Belt strenght			Temperature		Belt weight [kg/m ²]
	Straight		Curve	°C [min.]	°C [max.]	
	kg/m[BW]	N/m[BW]				
Polypropylene	800	8000	-	1	100	3.9
Polyethylene	465	4650	-	-60	60	4.0

BW - belt width

COLOR TABLE

Polypropylene					Polyethylene					Acetal					Nylon				
W	G	N	DB	B	W	G	N	DB	B	W	G	N	DB	B	W	G	N	DB	B
●				●			●			●						●			

W - White, G - Grey, N - Nature, DB - Dark brown, B-Blue

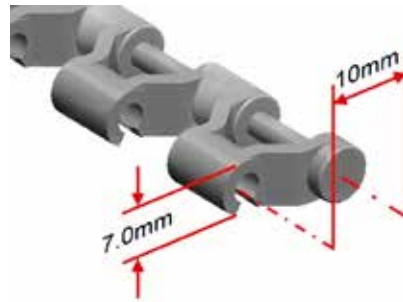


SPROCKET DIMENSIONS

No. teeth	PD [mm]	S [mm]	H [mm]
8	26	9.5	8.5
12	38.5	12.5	11
24	76.5	38.5/40.5	25.5

HS-400B

Pitch	10 mm
Minimum width	160 mm
Open area	24%
Approved	FDA
Rod	No
Flight	No
Side guard	No
Curve	No



DATA

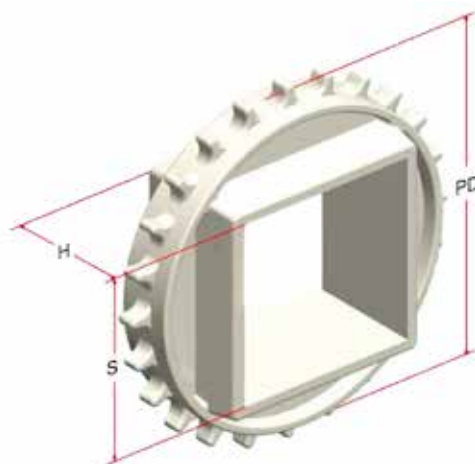
Belt material	Belt strenght			Temperature		Belt weight [kg/m ²]
	Straight		Curve	°C [min.]	°C [max.]	
	kg/m[BW]	N/m[BW]				
Polypropylene	800	8000	-	1	100	3.8
Polyethylene	465	4650	-	-60	60	3.9

BW - belt width

COLOR TABLE

Polypropylene					Polyethylene					Acetal					Nylon				
W	G	N	DB	B	W	G	N	DB	B	W	G	N	DB	B	W	G	N	DB	B
●				●			●			●						●			

W - White, G - Grey, N - Nature, DB - Dark brown, B-Blue



SPROCKET DIMENSIONS

No. teeth	PD [mm]	S [mm]	H [mm]
8	26	9.5	8.5
12	38.5	13	11
24	76.5	40.5	25.5

HS-500B

Pitch	25 mm
Minimum width	165 mm
Open area	36%
Approved	FDA
Rod	Ø 5 mm
Flight	No
Side guard	Yes
Curve	Yes



DATA

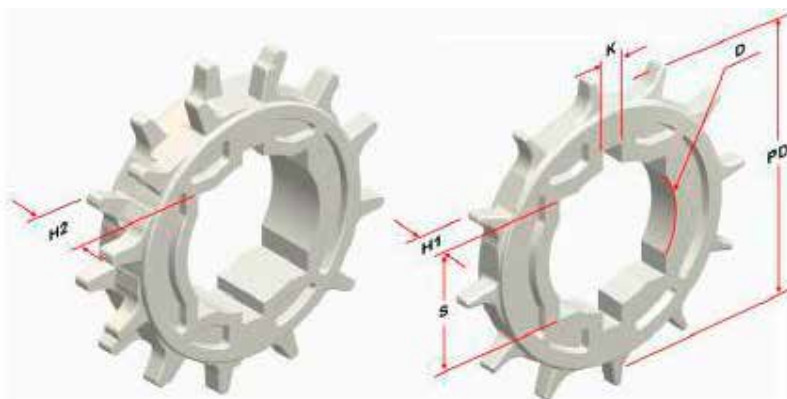
Belt material	Belt strenght				Temperature		Belt weight [kg/m ²]
	Straight		Curve		°C [min.]	°C [max.]	
	kg/m[BW]	N/m[BW]	kg/m[BW]	N/m[BW]			
Polypropylene	1060	10600	676	6760	1	100	5.0
Polyethylene	1030	10300	476	4760	-60	60	5.2
Acetal	1720	17200	865	8650	-40	80	9.6
Nylon	1520	15220	672	6720	1	180	7.0

BW - belt width

COLOR TABLE

Polypropylene					Polyethylene					Acetal					Nylon				
W	G	N	DB	B	W	G	N	DB	B	W	G	N	DB	B	W	G	N	DB	B
●	●						●			●				●				●	

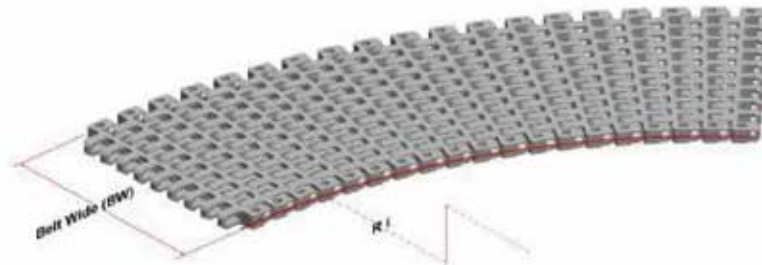
W - White, G - Grey, N - Nature, DB - Dark brown, B-Blue



SPROCKET DIMENSIONS

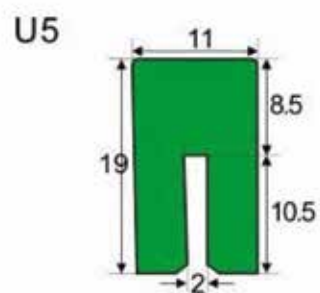
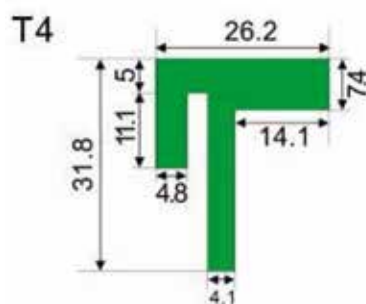
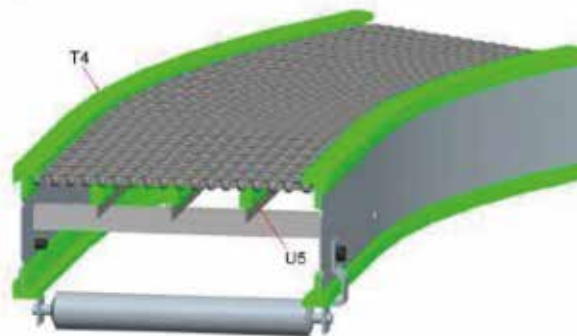
No. teeth	PD [mm]	S [mm]	D [mm]	H1 [mm]	H2 [mm]	K [mm]
12	93	38.5	45.5	10.5	-	7x7
18	145	38.5	45.5	10.5	-	7x7
24	190	60	-	30	-	-
12-2R	93	40.5	45.5	-	20	8x8
15-2R	120	40.5	45.5	-	20	8x8
18-2R	145	40.5	45.5	-	20	8x8

Design Guide Summary



- The minimum turning radius (inside) is 2.2 times of belt width under all feasible belt width, 2.5 times of belt width is the most optimal.
- The minimum straight run section near driving shaft and idling shaft of radius belt must be 2 times of the belt width in length.
- The minimum straight run section between two turns of opposing direction must be 2 times of the belt width in length.

Guide Rail & Wear Strips



- We have different kinds of guide rail and wear strips for your choice; For more information, please consult our sales team.

HS-500B-HD

Pitch	25 mm
Minimum width	165 mm
Open area	36%
Approved	FDA
Rod	Ø 5 mm
Flight	No
Side guard	No
Curve	Yes



DATA

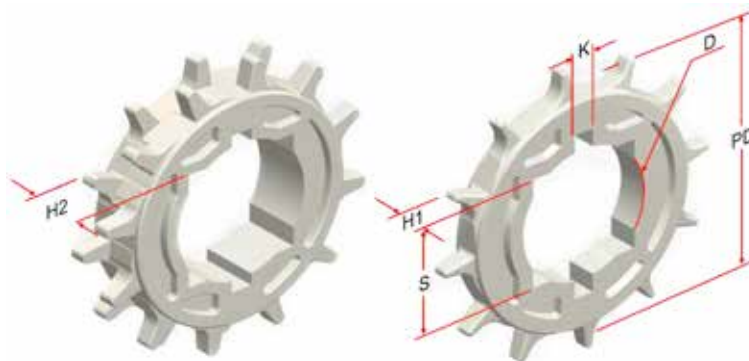
Belt material	Belt strenght				Temperature		Belt weight [kg/m ²]
	Straight		Curve		°C [min.]	°C [max.]	
	kg/m[BW]	N/m[BW]	kg/m[BW]	N/m[BW]			
Polypropylene	1060	10600	106	1060	1	100	5.0
Polyethylene	1030	10300	103	1030	-60	60	5.2
Acetal	1720	17200	172	1720	-40	80	9.6
Nylon	1520	15200	152	1520	1	180	7.0

BW - belt width

COLOR TABLE

Polypropylene					Polyethylene					Acetal					Nylon				
W	G	N	DB	B	W	G	N	DB	B	W	G	N	DB	B	W	G	N	DB	B
●	●						●			●				●				●	

W - White, G - Grey, N - Nature, DB - Dark brown, B-Blue

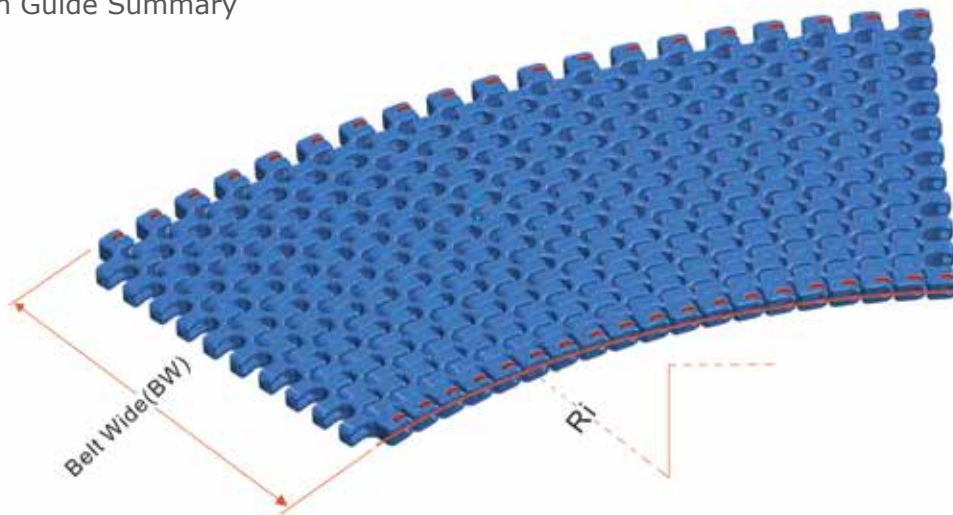


SPROCKET DIMENSIONS

No. teeth	PD [mm]	S [mm]	D [mm]	H1 [mm]	H2 [mm]	K [mm]
12	93	25.4/38.5/39/40.5	25.4/30.5/35.5/46.5/47.5	18	-	7x7
18	145	38.5/40.5	30.5/40.5/45.5/47.5	18	-	7x7
24	190	38.5/40.5/50.5/60.5	-	30	-	-
12-2R	93	38.5/40.5	25.4/30.5/45.5/47.5	-	20	8x8
15-2R	120	38.5/40.5	25.4/30.5/45.5/47.5	-	20	8x8
18-2R	145	38.5/40.5/45.5/60.5	40.5/45.5/47.5	-	20	8x8
21-2R	172	38.5/40.5	45.5	-	35	8x8
24-2R	190	38.5/40.5/60.5	-	-	35	-

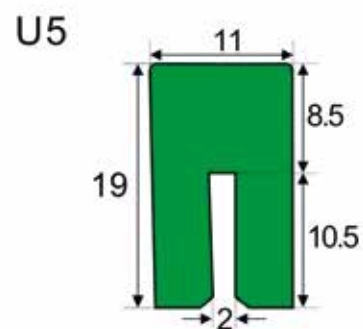
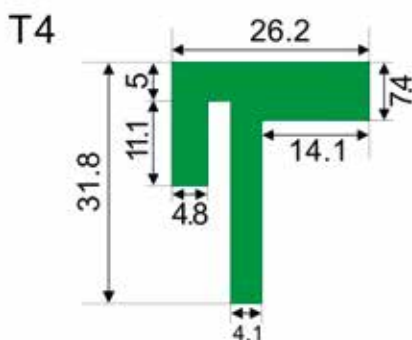
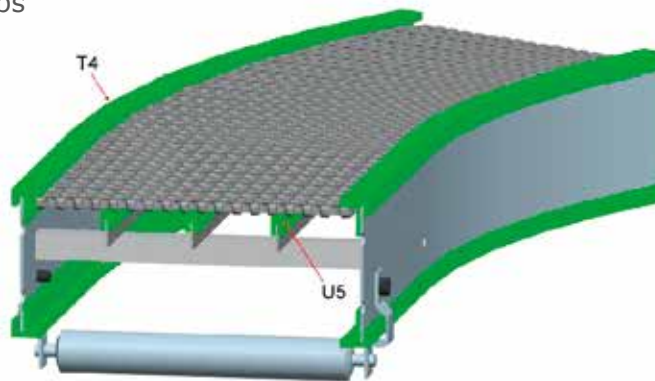
HS-500B-HD

Design Guide Summary



- The minimum turning radius (inside) is 2.2 times of belt width under all feasible belt width, 2.5 times of belt width is the most optimal.
- The minimum straight run section near driving shaft and idling shaft of radius belt must be 2 times of the belt width in length.
- The minimum straight run section between two turns of opposing direction must be 2 times of the belt width in length.

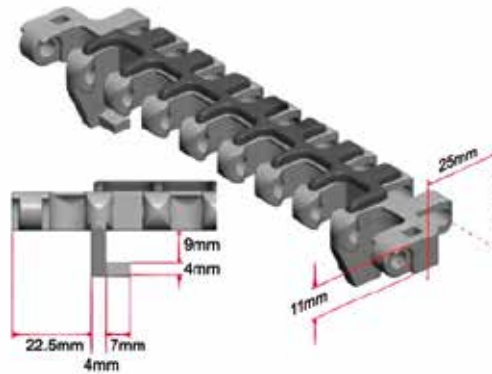
Guide Rail & Wear Strips



- We have different kinds of guide rail and wear strips for your choice; For more information, please consult our sales team.

HS-500B-EL-GB

Pitch	25 mm
Minimum width	165 mm
Open area	36%
Approved	FDA
Rod	Ø 5 mm
Flight	No
Side guard	Yes
Curve	Yes



DATA

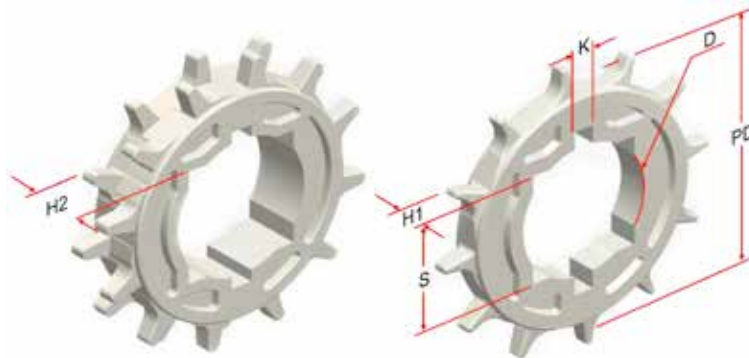
Belt material	Belt strenght				Temperature		Belt weight [kg/m ²]
	Straight		Curve		°C [min.]	°C [max.]	
	kg/m[BW]	N/m[BW]	kg/m[BW]	N/m[BW]			
Polypropylene	1060	10600	676	6760	1	70	5.8

BW - belt width

COLOR TABLE

Polypropylene					Polyethylene					Acetal					Nylon				
W	G	N	DB	B	W	G	N	DB	B	W	G	N	DB	B	W	G	N	DB	B
●	●																		

W - White, G - Grey, N - Nature, DB - Dark brown, B-Blue

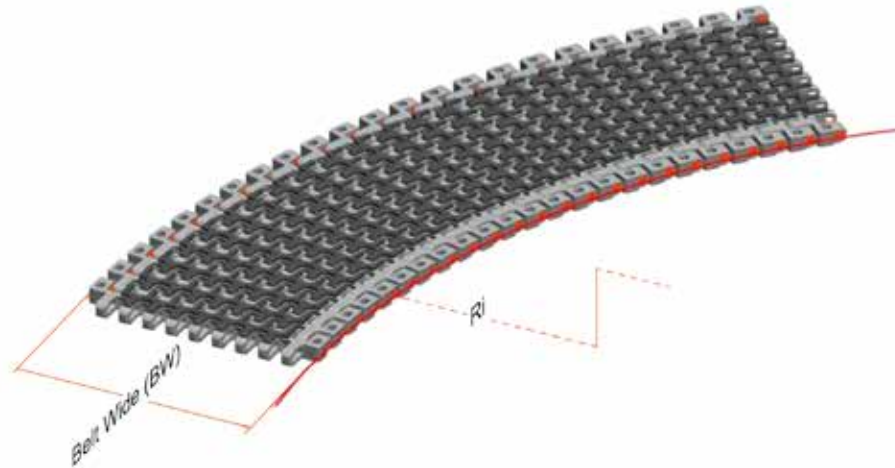


SPROCKET DIMENSIONS

No. teeth	PD [mm]	S [mm]	D [mm]	H1 [mm]	H2 [mm]	K [mm]
12	93	25.4/38.5/39/40.5	25.4/30.5/35.5/46.5/47.5	18	-	7x7
18	145	38.5/40.5	30.5/40.5/45.5/47.5	18	-	7x7
24	190	38.5/40.5/50.5/60.5	-	30	-	-
12-2R	93	38.5/40.5	25.4/30.5/45.5/47.5	-	20	8x8
15-2R	120	38.5/40.5	25.4/30.5/45.5/47.5	-	20	8x8
18-2R	145	38.5/40.5/45.5/60.5	40.5/45.5/47.5	-	20	8x8
21-2R	172	38.5/40.5	45.5	-	35	8x8
24-2R	190	38.5/40.5/60.5	-	-	35	-

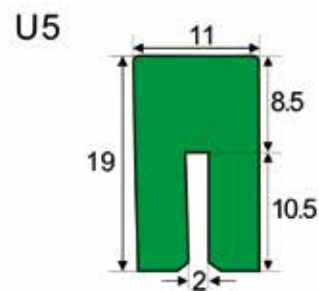
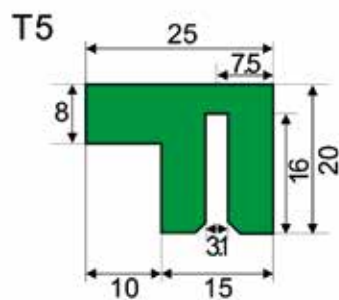
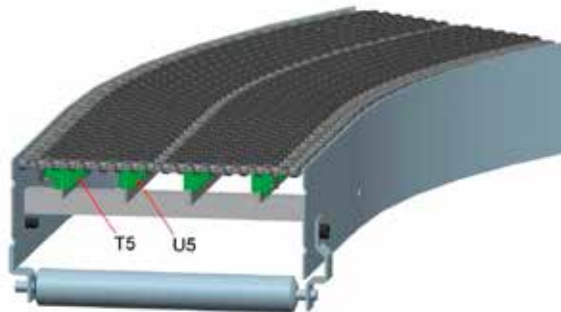
HS-500B-EL-GB

Design Guide Summary



- The minimum turning radius (inside) is 2.2 times of belt width under all feasible belt width, 2.5 times of belt width is the most optimal.
- The minimum straight run section near driving shaft and idling shaft of radius belt must be 2 times of the belt width in length.
- The minimum straight run section between two turns of opposing direction must be 2 times of the belt width in length.

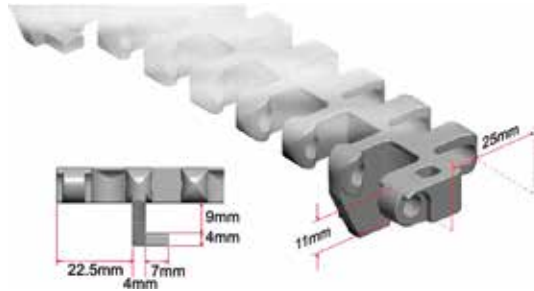
Guide Rail & Wear Strips



- We have different kinds of guide rail and wear strips for your choice; For more information, please consult our sales team.

HS-500B-GB

Pitch	25 mm
Minimum width	165 mm
Open area	36%
Approved	FDA
Rod	Ø 5 mm
Flight	No
Side guard	Yes
Curve	Yes



DATA

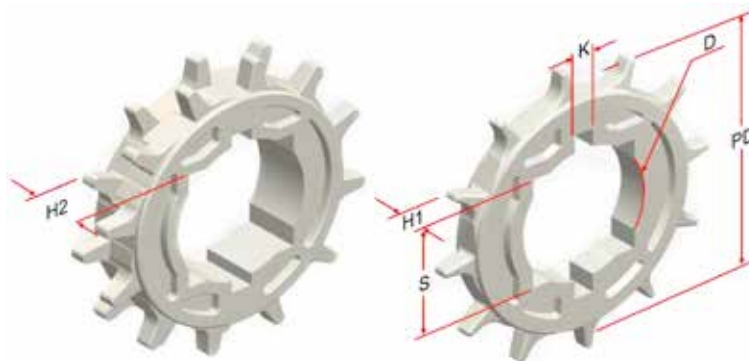
Belt material	Belt strenght				Temperature		Belt weight [kg/m ²]
	Straight		Curve		°C [min.]	°C [max.]	
	kg/m[BW]	N/m[BW]	kg/m[BW]	N/m[BW]			
Polypropylene	1060	10600	676	6760	1	100	5.1
Polyethylene	1030	10300	476	4760	-60	60	5.3
Acetal	1720	17200	865	8650	-40	80	9.6
Nylon	1520	15200	672	6720	1	180	7.1

BW - belt width

COLOR TABLE

Polypropylene					Polyethylene					Acetal					Nylon				
W	G	N	DB	B	W	G	N	DB	B	W	G	N	DB	B	W	G	N	DB	B
●	●						●			●				●				●	

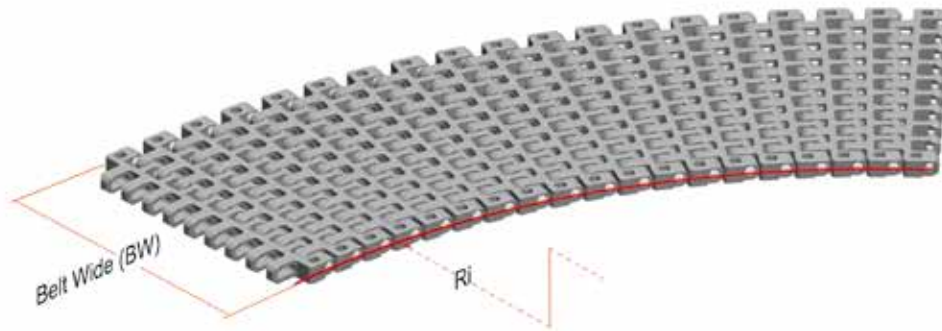
W - White, G - Grey, N - Nature, DB - Dark brown, B-Blue



SPROCKET DIMENSIONS

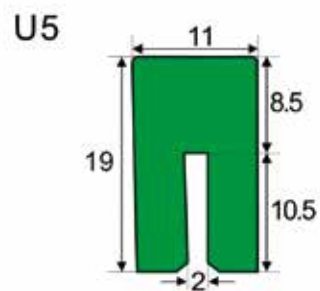
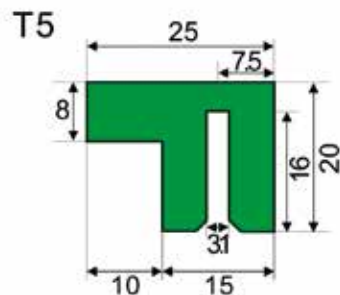
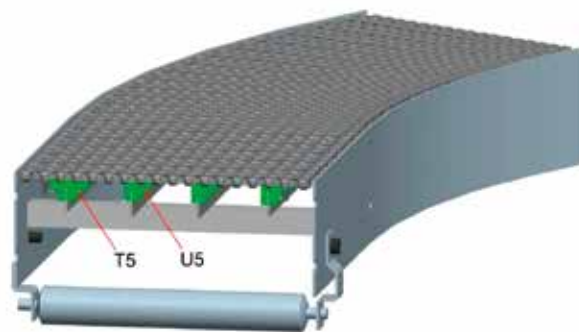
No. teeth	PD [mm]	S [mm]	D [mm]	H1 [mm]	H2 [mm]	K [mm]
12	93	25.4/38.5/39/40.5	25.4/30.5/35.5/46.5/47.5	18	-	7x7
18	145	38.5/40.5	30.5/40.5/45.5/47.5	18	-	7x7
24	190	38.5/40.5/50.5/60.5	-	30	-	-
12-2R	93	38.5/40.5	25.4/30.5/45.5/47.5	-	20	8x8
15-2R	120	38.5/40.5	25.4/30.5/45.5/47.5	-	20	8x8
18-2R	145	38.5/40.5/45.5/60.5	40.5/45.5/47.5	-	20	8x8
21-2R	172	38.5/40.5	45.5	-	35	8x8
24-2R	190	38.5/40.5/60.5	-	-	35	-

Design Guide Summary



- The minimum turning radius (inside) is 2.2 times of belt width under all feasible belt width, 2.5 times of belt width is the most optimal.
- The minimum straight run section near driving shaft and idling shaft of radius belt must be 2 times of the belt width in length.
- The minimum straight run section between two turns of opposing direction must be 2 times of the belt width in length.

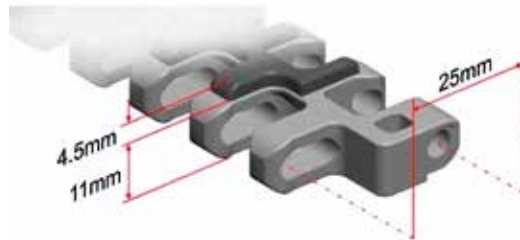
Guide Rail & Wear Strips



- We have different kinds of guide rail and wear strips for your choice; For more information, please consult our sales team.

HS-500EL

Pitch	25 mm
Minimum width	165 mm
Open area	36%
Approved	FDA
Rod	Ø 5 mm
Flight	No
Side guard	Yes
Curve	Yes



DATA

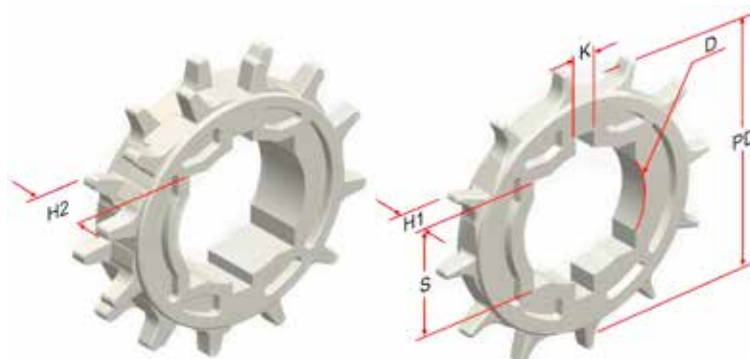
Belt material	Belt strenght				Temperature		Belt weight [kg/m ²]
	Straight		Curve		°C [min.]	°C [max.]	
	kg/m[BW]	N/m[BW]	kg/m[BW]	N/m[BW]			
Polypropylene	1060	10600	676	6760	1	70	5.8

BW - belt width

COLOR TABLE

Polypropylene					Polyethylene					Acetal					Nylon				
W	G	N	DB	B	W	G	N	DB	B	W	G	N	DB	B	W	G	N	DB	B
●	●																		

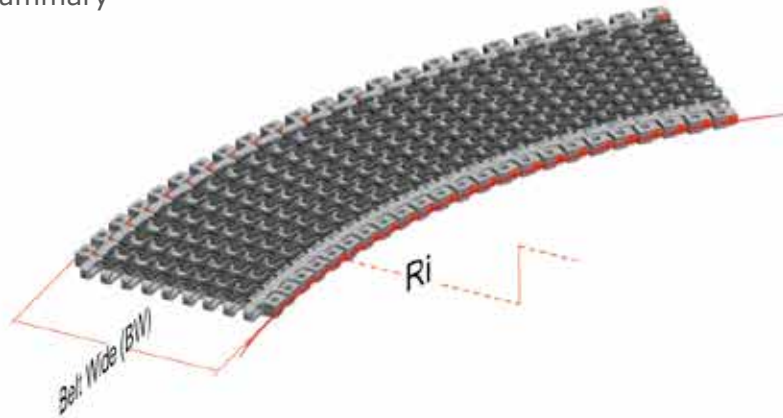
W - White, G - Grey, N - Nature, DB - Dark brown, B-Blue



SPROCKET DIMENSIONS

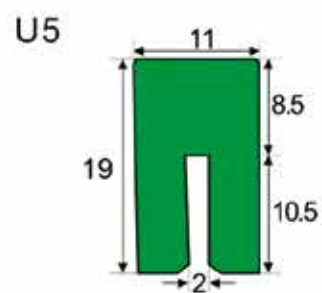
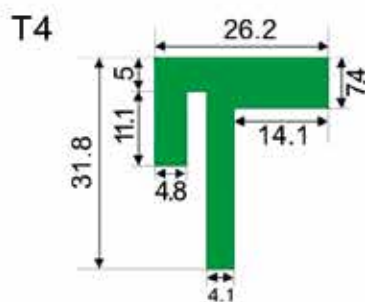
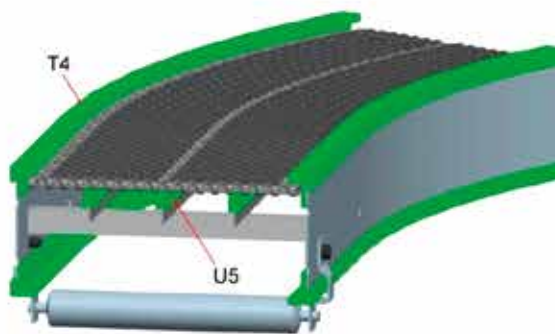
No. teeth	PD [mm]	S [mm]	D [mm]	H1 [mm]	H2 [mm]	K [mm]
12	93	38.5/40.5	30.5/35.5/46.5/47.5	18	-	7x7
18	145	38.5/40.5	30.5/45.5/47.5	18	-	7x7
24	190	38.5/40.5/50.5/60.5	-	30	-	-
12-2R	93	38.5/40.5	45.5/47.5	-	20	8x8
15-2R	120	38.5/40.5	45.5/47.5	-	20	8x8
18-2R	145	38.5/40.5	45.5/47.5	-	20	8x8
21-2R	172	40.5	-	-	35	8x8
24-2R	190	38.5/40.5/60.5	-	-	35	-

Design Guide Summary



- The minimum turning radius (inside) is 2.2 times of belt width under all feasible belt width, 2.5 times of belt width is the most optimal.
- The minimum straight run section near driving shaft and idling shaft of radius belt must be 2 times of the belt width in length.
- The minimum straight run section between two turns of opposing direction must be 2 times of the belt width in length.

Guide Rail & Wear Strips

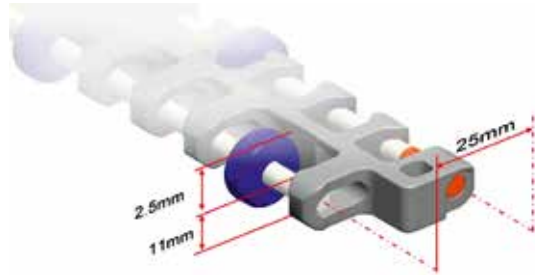


- We have different kinds of guide rail and wear strips for your choice; For more information, please consult our sales team.

HS-500C

46

Pitch	25 mm
Minimum width	165 mm
Open area	36%
Approved	FDA
Rod	Ø 5 mm
Flight	No
Side guard	Yes
Curve	Yes



DATA

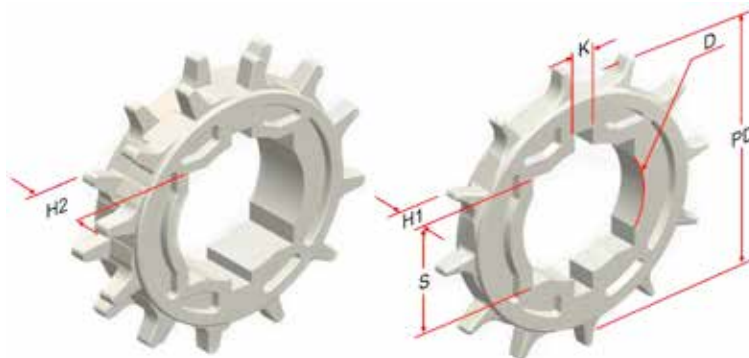
Belt material	Belt strenght				Temperature		Belt weight [kg/m ²]
	Straight		Curve		°C [min.]	°C [max.]	
	kg/m[BW]	N/m[BW]	kg/m[BW]	N/m[BW]			
Polypropylene	1060	10600	106	1060	1	100	7.4
Polyethylene	1030	10300	103	1030	-60	60	7.5
Acetal	1720	17200	172	1720	-40	80	10.4
Nylon	1520	15200	152	1520	1	180	9.7

BW - belt width

COLOR TABLE

Polypropylene					Polyethylene					Acetal					Nylon				
W	G	N	DB	B	W	G	N	DB	B	W	G	N	DB	B	W	G	N	DB	B
●	●						●			●				●				●	

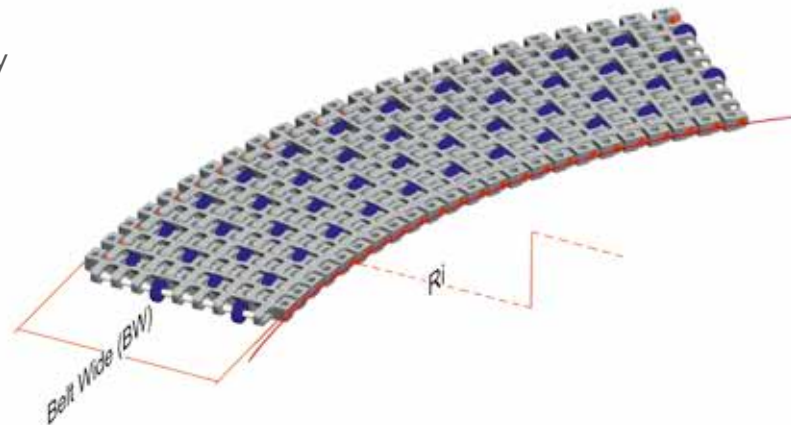
W - White, G - Grey, N - Nature, DB - Dark brown, B-Blue



SPROCKET DIMENSIONS

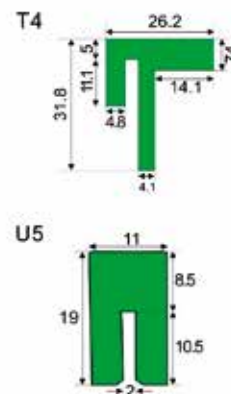
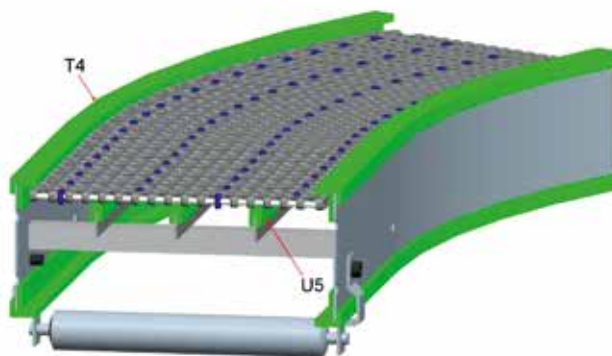
No. teeth	PD [mm]	S [mm]	D [mm]	H1 [mm]	H2 [mm]	K [mm]
12	93	25.4/38.5/39/40.5	25.4/30.5/35.5/46.5/47.5	18	-	7x7
18	145	38.5/40.5	30.5/40.5/45.5/47.5	18	-	7x7
24	190	38.5/40.5/50.5/60.5	-	30	-	-
12-2R	93	38.5/40.5	25.4/30.5/45.5/47.5	-	20	8x8
15-2R	120	38.5/40.5	25.4/30.5/45.5/47.5	-	20	8x8
18-2R	145	38.5/40.5/45.5/60.5	40.5/45.5/47.5	-	20	8x8
21-2R	172	38.5/40.5	45.5	-	35	8x8
24-2R	190	38.5/40.5/60.5	-	-	35	-

Design Guide Summary



- The minimum turning radius (inside) is 2.2 times of belt width under all feasible belt width, 2.5 times of belt width is the most optimal.
- The minimum straight run section near driving shaft and idling shaft of radius belt must be 2 times of the belt width in length.
- The minimum straight run section between two turns of opposing direction must be 2 times of the belt width in length.

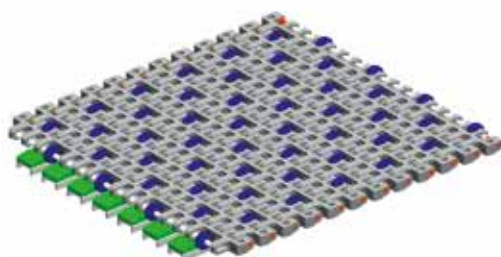
Guide Rail & Wear Strips



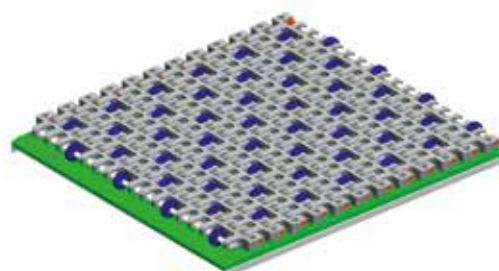
- We have different kinds of guide rail and wear strips for your choice; For more information, please consult our sales team.

Support Mode & Insert Roller

Accumulation



Multi - Speed



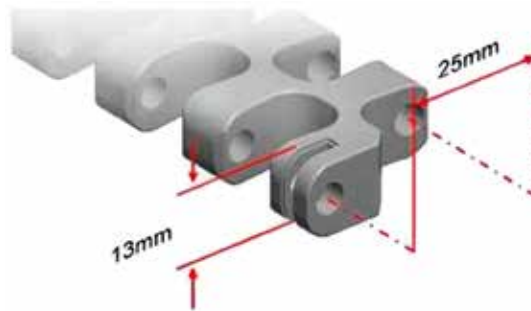
Wear Strips are placed between rollers for accumulation.

Wear Strips are placed under the rollers and the speed of products on the belt will be 2 times of the belt speed.

HS-501A

48

Pitch	25 mm
Minimum width	172 mm
Open area	35%
Approved	FDA
Rod	Ø 5 mm
Flight	Yes
Side guard	No
Curve	No



DATA

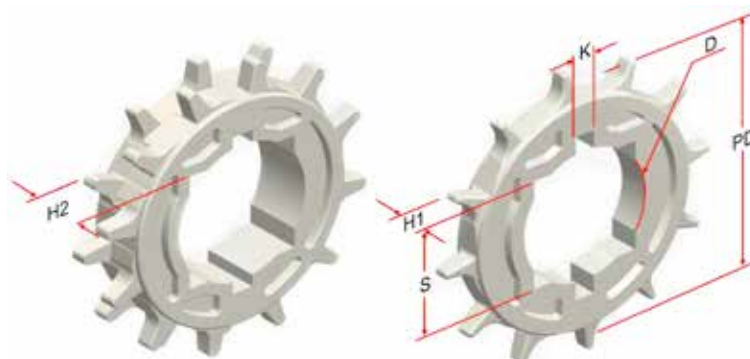
Belt material	Belt strenght			Temperature		Belt weight [kg/m ²]
	Straight		Curve	°C [min.]	°C [max.]	
	kg/m[BW]	N/m[BW]				
Polypropylene	1060	10600	-	1	100	6.9
Polyethylene	1030	10300	-	-60	60	7.4
Acetal	1720	17200	-	-40	80	10.6
Nylon	1520	15200	-	1	180	8.7

BW - belt width

COLOR TABLE

Polypropylene					Polyethylene					Acetal					Nylon				
W	G	N	DB	B	W	G	N	DB	B	W	G	N	DB	B	W	G	N	DB	B
●	●						●			●				●				●	

W - White, G - Grey, N - Nature, DB - Dark brown, B-Blue

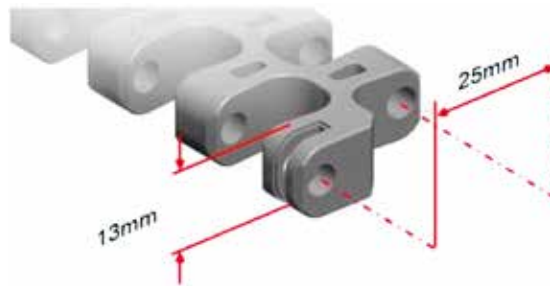


SPROCKET DIMENSIONS

No. teeth	PD [mm]	S [mm]	D [mm]	H1 [mm]	H2 [mm]	K [mm]
12	93	25.4/38.5/39/40.5	25.4/30.5/35.5/46.5/47.5	18	-	7x7
18	145	38.5/40.5	30.5/40.5/45.5/47.5	18	-	7x7
24	190	38.5/40.5/50.5/60.5	-	30	-	-
12-2R	93	38.5/40.5	25.4/30.5/45.5/47.5	-	20	8x8
15-2R	120	38.5/40.5	25.4/30.5/45.5/47.5	-	20	8x8
18-2R	145	38.5/40.5/45.5/60.5	40.5/45.5/47.5	-	20	8x8
21-2R	172	38.5/40.5	45.5	-	35	8x8
24-2R	190	38.5/40.5/60.5	-	-	35	-

HS-501B

Pitch	25 mm
Minimum width	172 mm
Open area	40%
Approved	FDA
Rod	Ø 5 mm
Flight	Yes
Side guard	No
Curve	No



DATA

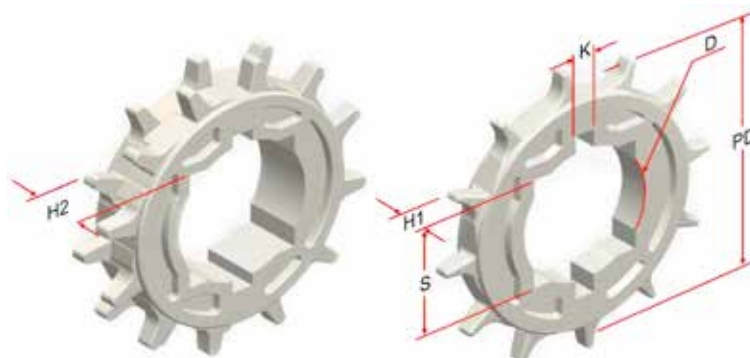
Belt material	Belt strenght			Temperature		Belt weight [kg/m ²]
	Straight		Curve	°C [min.]	°C [max.]	
	kg/m[BW]	N/m[BW]				
Polypropylene	1060	10600	-	1	100	6.4
Polyethylene	1030	10300	-	-60	60	7.2
Acetal	1720	17200	-	-40	80	9.4
Nylon	1520	15200	-	1	180	8.6

BW - belt width

COLOR TABLE

Polypropylene					Polyethylene					Acetal					Nylon				
W	G	N	DB	B	W	G	N	DB	B	W	G	N	DB	B	W	G	N	DB	B
●	●						●			●				●				●	

W - White, G - Grey, N - Nature, DB - Dark brown, B-Blue



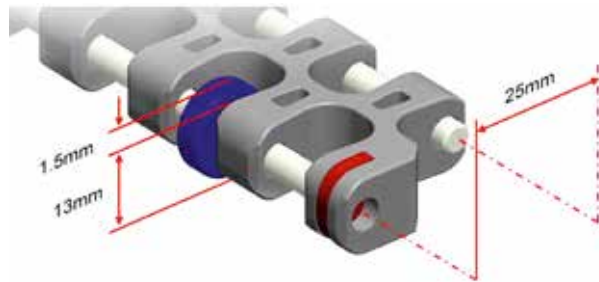
SPROCKET DIMENSIONS

No. teeth	PD [mm]	S [mm]	D [mm]	H1 [mm]	H2 [mm]	K [mm]
12	93	38.5/40.5	30.5/35.5/46.5/47.5	18	-	7x7
18	145	38.5/40.5	30.5/45.5/47.5	18	-	7x7
24	190	38.5/40.5/50.5/60.5	-	30	-	-
12-2R	93	38.5/40.5	45.5/47.5	-	20	8x8
15-2R	120	38.5/40.5	45.5/47.5	-	20	8x8
18-2R	145	38.5/40.5	45.5/47.5	-	20	8x8
21-2R	172	40.5	-	-	35	8x8
24-2R	190	38.5/40.5/60.5	-	-	35	-

HS-501C

50

Pitch	25 mm
Minimum width	172 mm
Open area	40%
Approved	FDA
Rod	Ø 5 mm
Flight	No
Side guard	No
Curve	No



DATA

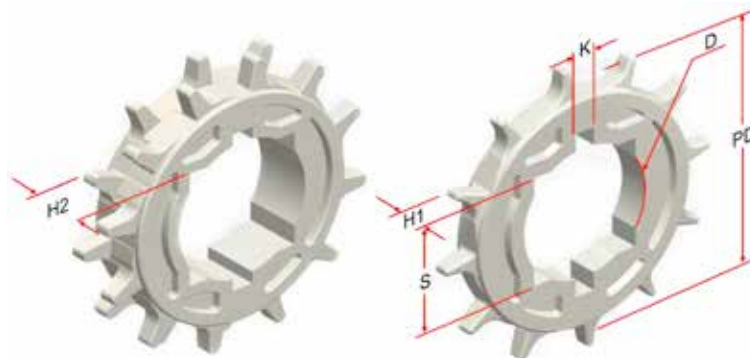
Belt material	Belt strenght			Temperature		Belt weight [kg/m ²]
	Straight		Curve	°C [min.]	°C [max.]	
	kg/m[BW]	N/m[BW]				
Polypropylene	1060	10600	-	1	100	6.6
Polyethylene	1030	10300	-	-60	60	6.8
Acetal	1720	17200	-	-40	80	9.3
Nylon	1520	15200	-	1	180	8.7

BW - belt width

COLOR TABLE

Polypropylene					Polyethylene					Acetal					Nylon				
W	G	N	DB	B	W	G	N	DB	B	W	G	N	DB	B	W	G	N	DB	B
●	●						●			●				●				●	

W - White, G - Grey, N - Nature, DB - Dark brown, B-Blue

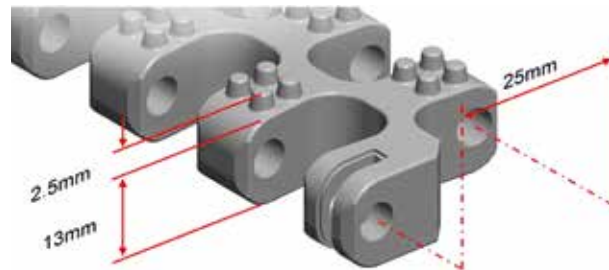


SPROCKET DIMENSIONS

No. teeth	PD [mm]	S [mm]	D [mm]	H1 [mm]	H2 [mm]	K [mm]
12	93	25.4/38.5/39/40.5	25.4/30.5/35.5/46.5/47.5	18	-	7x7
18	145	38.5/40.5	30.5/40.5/45.5/47.5	18	-	7x7
24	190	38.5/40.5/50.5/60.5	-	30	-	-
12-2R	93	38.5/40.5	25.4/30.5/45.5/47.5	-	20	8x8
15-2R	120	38.5/40.5	25.4/30.5/45.5/47.5	-	20	8x8
18-2R	145	38.5/40.5/45.5/60.5	40.5/45.5/47.5	-	20	8x8
21-2R	172	38.5/40.5	45.5	-	35	8x8
24-2R	190	38.5/40.5/60.5	-	-	35	-

HS-501D

Pitch	25 mm
Minimum width	172 mm
Open area	35%
Approved	FDA
Rod	Ø 5 mm
Flight	Yes
Side guard	No
Curve	No



DATA

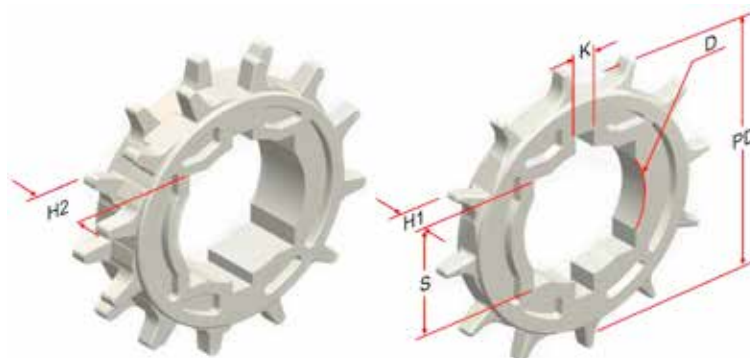
Belt material	Belt strenght			Temperature		Belt weight [kg/m ²]
	Straight		Curve	°C [min.]	°C [max.]	
	kg/m[BW]	N/m[BW]				
Polypropylene	1060	10600	-	1	100	7.4
Polyethylene	1030	10300	-	-60	60	7.7
Acetal	1720	17200	-	-40	80	10.9
Nylon	1520	15200	-	1	180	8.7

BW - belt width

COLOR TABLE

Polypropylene					Polyethylene					Acetal					Nylon				
W	G	N	DB	B	W	G	N	DB	B	W	G	N	DB	B	W	G	N	DB	B
●	●						●			●				●				●	

W - White, G - Grey, N - Nature, DB - Dark brown, B-Blue



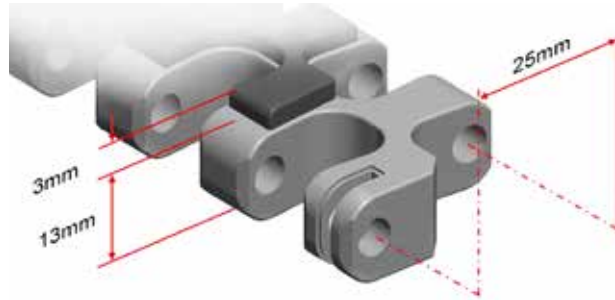
SPROCKET DIMENSIONS

No. teeth	PD [mm]	S [mm]	D [mm]	H1 [mm]	H2 [mm]	K [mm]
12	93	25.4/38.5/39/40.5	25.4/30.5/35.5/46.5/47.5	18	-	7x7
18	145	38.5/40.5	30.5/40.5/45.5/47.5	18	-	7x7
24	190	38.5/40.5/50.5/60.5	-	30	-	-
12-2R	93	38.5/40.5	25.4/30.5/45.5/47.5	-	20	8x8
15-2R	120	38.5/40.5	25.4/30.5/45.5/47.5	-	20	8x8
18-2R	145	38.5/40.5/45.5/60.5	40.5/45.5/47.5	-	20	8x8
21-2R	172	38.5/40.5	45.5	-	35	8x8
24-2R	190	38.5/40.5/60.5	-	-	35	-

HS-501EL

52

Pitch	25 mm
Minimum width	172 mm
Open area	35%
Approved	FDA
Rod	Ø 5 mm
Flight	Yes
Side guard	No
Curve	No



DATA

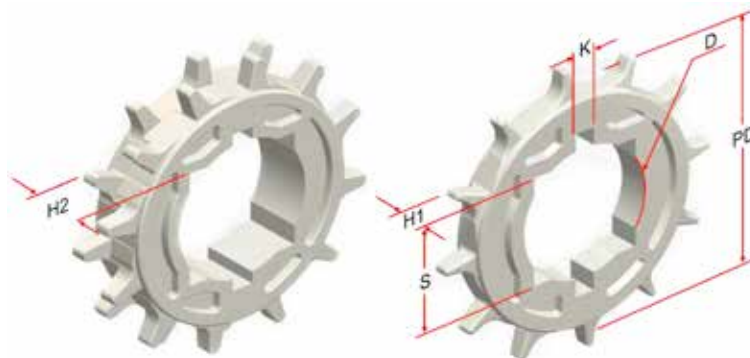
Belt material	Belt strength			Temperature		Belt weight [kg/m ²]
	Straight		Curve	°C [min.]	°C [max.]	
	kg/m[BW]	N/m[BW]				
Polypropylene	1060	10600	-	1	70	7.2

BW - belt width

COLOR TABLE

Polypropylene					Polyethylene					Acetal					Nylon				
W	G	N	DB	B	W	G	N	DB	B	W	G	N	DB	B	W	G	N	DB	B
●	●																		

W - White, G - Grey, N - Nature, DB - Dark brown, B-Blue

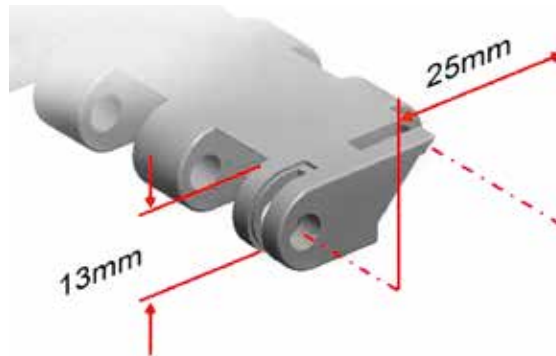


SPROCKET DIMENSIONS

No. teeth	PD [mm]	S [mm]	D [mm]	H1 [mm]	H2 [mm]	K [mm]
12	93	25.4/38.5/39/40.5	25.4/30.5/35.5/46.5/47.5	18	-	7x7
18	145	38.5/40.5	30.5/40.5/45.5/47.5	18	-	7x7
24	190	38.5/40.5/50.5/60.5	-	30	-	-
12-2R	93	38.5/40.5	25.4/30.5/45.5/47.5	-	20	8x8
15-2R	120	38.5/40.5	25.4/30.5/45.5/47.5	-	20	8x8
18-2R	145	38.5/40.5/45.5/60.5	40.5/45.5/47.5	-	20	8x8
21-2R	172	38.5/40.5	45.5	-	35	8x8
24-2R	190	38.5/40.5/60.5	-	-	35	-

HS-502A

Pitch	25 mm
Minimum width	178 mm
Open area	0%
Approved	FDA
Rod	Ø 5 mm
Flight	Yes
Side guard	No
Curve	No



DATA

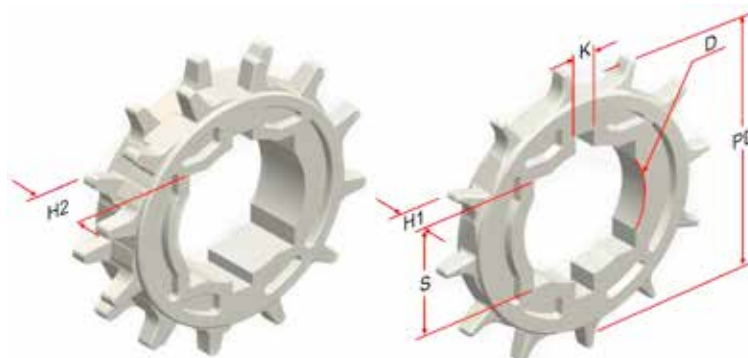
Belt material	Belt strenght			Temperature		Belt weight [kg/m ²]
	Straight		Curve	°C [min.]	°C [max.]	
	kg/m[BW]	N/m[BW]				
Polypropylene	1060	10600	-	1	100	6.9
Polyethylene	1030	10300	-	-60	60	7.7
Acetal	1720	17200	-	-40	80	11.5
Nylon	1520	15200	-	1	180	10.6

BW - belt width

COLOR TABLE

Polypropylene					Polyethylene					Acetal					Nylon				
W	G	N	DB	B	W	G	N	DB	B	W	G	N	DB	B	W	G	N	DB	B
●	●						●			●				●				●	

W - White, G - Grey, N - Nature, DB - Dark brown, B-Blue

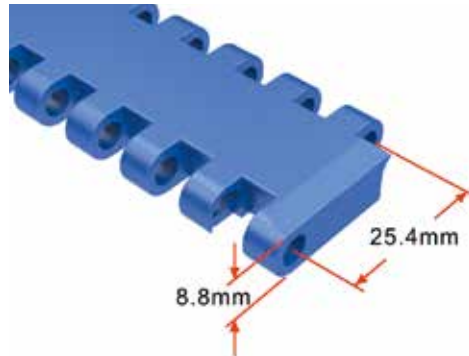


SPROCKET DIMENSIONS

No. teeth	PD [mm]	S [mm]	D [mm]	H1 [mm]	H2 [mm]	K [mm]
12	93	25.4/38.5/39/40.5	25.4/30.5/35.5/46.5/47.5	18	-	7x7
18	145	38.5/40.5	30.5/40.5/45.5/47.5	18	-	7x7
24	190	38.5/40.5/50.5/60.5	-	30	-	-
12-2R	93	38.5/40.5	25.4/30.5/45.5/47.5	-	20	8x8
15-2R	120	38.5/40.5	25.4/30.5/45.5/47.5	-	20	8x8
18-2R	145	38.5/40.5/45.5/60.5	40.5/45.5/47.5	-	20	8x8
21-2R	172	38.5/40.5	45.5	-	35	8x8
24-2R	190	38.5/40.5/60.5	-	-	35	-

HS-502A-HD

Pitch	25.4 mm
Minimum width	150 mm
Open area	0%
Approved	FDA
Rod	Ø 5 mm
Flight	No
Side guard	No
Curve	No



DATA

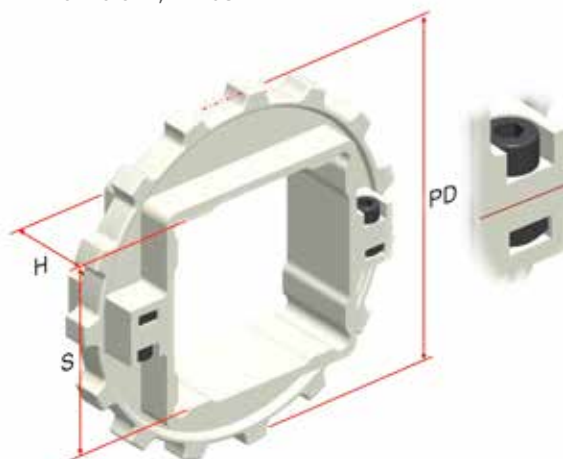
Belt material	Belt strenght			Temperature		Belt weight
	Straight		Curve	°C [min.]	°C [max.]	[kg/m ²]
	kg/m[BW]	N/m[BW]				
Polypropylene	2000	20000	-	1	100	5.4
Acetal	3500	35000	-	-40	80	8.3

BW - belt width

COLOR TABLE

Polypropylene					Polyethylene					Acetal					Nylon				
W	G	N	DB	B	W	G	N	DB	B	W	G	N	DB	B	W	G	N	DB	B
●	●									●				●					

W - White, G - Grey, N - Nature, DB - Dark brown, B-Blue

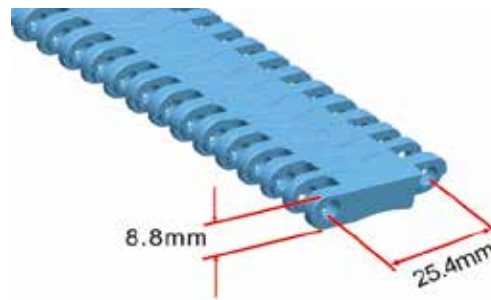


SPROCKET DIMENSIONS

No. teeth	PD [mm]	S [mm]	D [mm]	H [mm]	K [mm]
12	98	38.5/40.5	-	25	-
15-Split	122	38.5/40.5/50.5/60.5/65.5	-	29	-
18-Split	146	60.5	-	35	-
18	146	40.5/60.5	45.5	25	-
19-Split	154	38.5/40.5/50.5/60.5/65.5	-	35	-
24-Split	194.6	60.5/65.5	-	52	-

HS-502A-HD-D

Pitch	25.4 mm
Minimum width	150 mm
Open area	0%
Approved	FDA
Rod	Ø 5 mm
Flight	No
Side guard	No
Curve	No



DATA

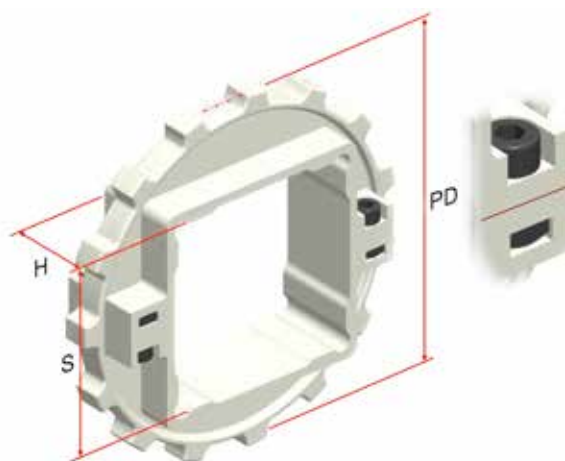
Belt material	Belt strenght			Temperature		Belt weight
	Straight		Curve	°C [min.]	°C [max.]	[kg/m ²]
	kg/m[BW]	N/m[BW]				
Polypropylene	2000	20000	-	1	100	5.4
Acetal	3500	35000	-	-40	80	8.3

BW - belt width

COLOR TABLE

Polypropylene					Polyethylene					Acetal					Nylon				
W	G	N	DB	B	W	G	N	DB	B	W	G	N	DB	B	W	G	N	DB	B
●	●									●				●					

W - White, G - Grey, N - Nature, DB - Dark brown, B-Blue



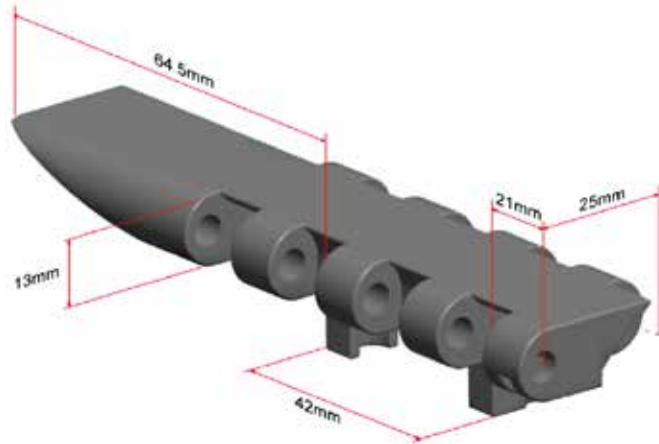
SPROCKET DIMENSIONS

No. teeth	PD [mm]	S [mm]	D [mm]	H [mm]	K [mm]
12	98	38.5/40.5	-	25	-
15-Split	122	38.5/40.5/50.5/60.5/65.5	-	29	-
18-Split	146	60.5	-	35	-
18	146	40.5/60.5	45.5	25	-
19-Split	154	38.5/40.5/50.5/60.5/65.5	-	35	-
24-Split	194.6	60.5/65.5	-	52	-

HS-502A-127.5 FB

56

Pitch	25 mm
Minimum width	127.5 mm
Open area	0%
Approved	FDA
Rod	Ø 5 mm
Flight	No
Side guard	No
Curve	No



DATA

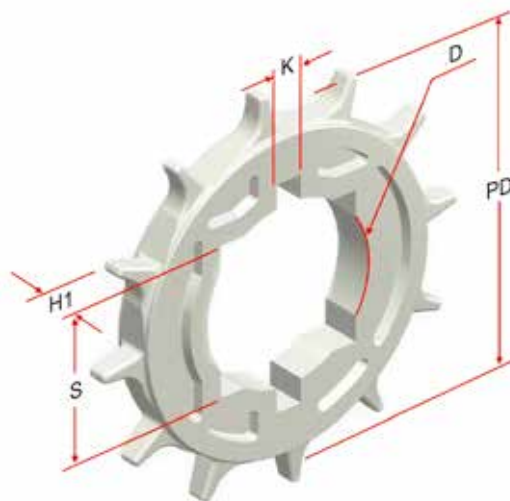
Belt material	Belt strenght			Temperature		Belt weight
	Straight		Curve	°C [min.]	°C [max.]	[kg/m ²]
	kg/m[BW]	N/m[BW]				
Polypropylene	1060	10600	-	1	100	7.1
Acetal	1720	17200	-	-40	80	11.0

BW - belt width

COLOR TABLE

Polypropylene					Polyethylene					Acetal					Nylon				
W	G	N	DB	B	W	G	N	DB	B	W	G	N	DB	B	W	G	N	DB	B
●	●						●			●				●				●	

W - White, G - Grey, N - Nature, DB - Dark brown, B-Blue

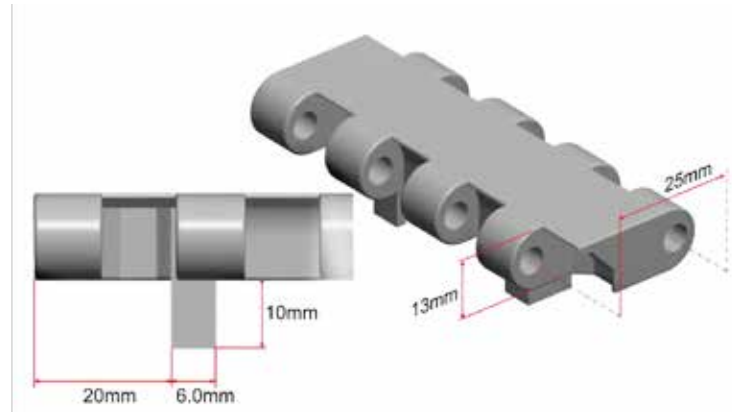


SPROCKET DIMENSIONS

No. teeth	PD [mm]	S [mm]	D [mm]	H1 [mm]	H2 [mm]	K [mm]
12	93	25.4/38.5/39/40.5	25.4/30.5/35.5/46.5/47.5	18	-	7x7
18	145	38.5/40.5	30.5/40.5/45.5/47.5	18	-	7x7
24	190	38.5/40.5/50.5/60.5	-	30	-	-

HS-502A-83GB

Pitch	25 mm
Minimum width	83 mm
Open area	0%
Approved	FDA
Rod	Ø 5 mm
Flight	No
Side guard	No
Curve	No



DATA

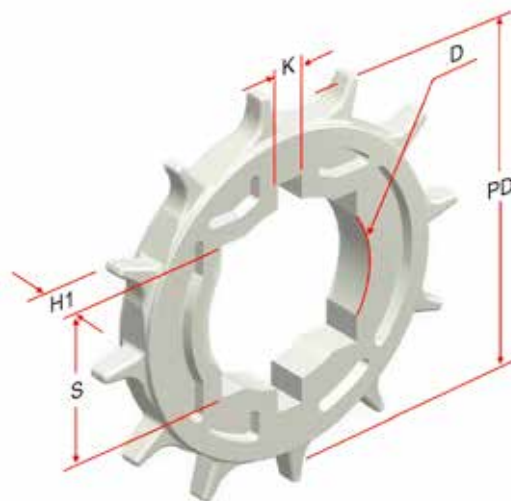
Belt material	Belt strenght			Temperature		Belt weight [kg/m ²]
	Straight		Curve	°C [min.]	°C [max.]	
	kg/m[BW]	N/m[BW]				
Polypropylene	1060	10600	-	1	100	6.9
Acetal	1720	17200	-	-40	80	10.6

BW - belt width

COLOR TABLE

Polypropylene					Polyethylene					Acetal					Nylon				
W	G	N	DB	B	W	G	N	DB	B	W	G	N	DB	B	W	G	N	DB	B
●	●						●			●				●				●	

W - White, G - Grey, N - Nature, DB - Dark brown, B-Blue



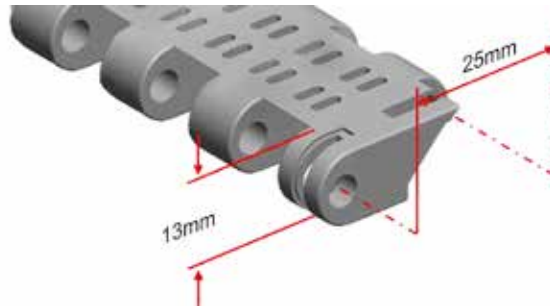
SPROCKET DIMENSIONS

No. teeth	PD [mm]	S [mm]	D [mm]	H1 [mm]	H2 [mm]	K [mm]
12	93	25.4/38.5/39/40.5	25.4/30.5/35.5/46.5/47.5	18	-	7x7
18	145	38.5/40.5	30.5/40.5/45.5/47.5	18	-	7x7
24	190	38.5/40.5/50.5/60.5	-	30	-	-

HS-502B

58

Pitch	25 mm
Minimum width	178 mm
Open area	16%
Approved	FDA
Rod	Ø 5 mm
Flight	Yes
Side guard	No
Curve	No



DATA

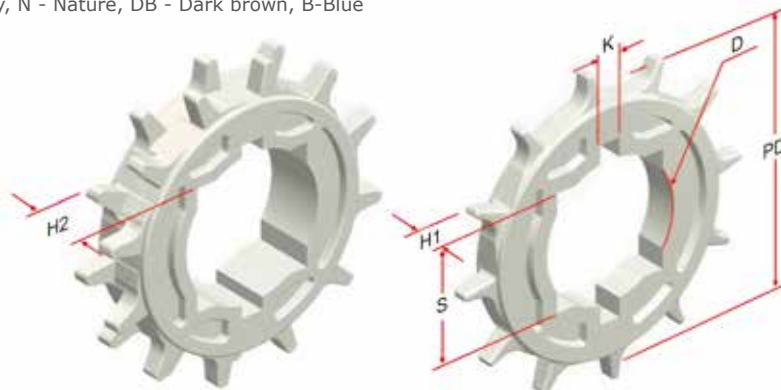
Belt material	Belt strenght			Temperature		Belt weight [kg/m ²]
	Straight		Curve	°C [min.]	°C [max.]	
	kg/m[BW]	N/m[BW]				
Polypropylene	1060	10600	-	1	100	6.8
Polyethylene	1030	10300	-	-60	60	7.6
Acetal	1720	17200	-	-40	80	11.5
Nylon	1520	15200	-	1	180	10.7

BW - belt width

COLOR TABLE

Polypropylene					Polyethylene					Acetal					Nylon				
W	G	N	DB	B	W	G	N	DB	B	W	G	N	DB	B	W	G	N	DB	B
●	●						●			●				●				●	

W - White, G - Grey, N - Nature, DB - Dark brown, B-Blue

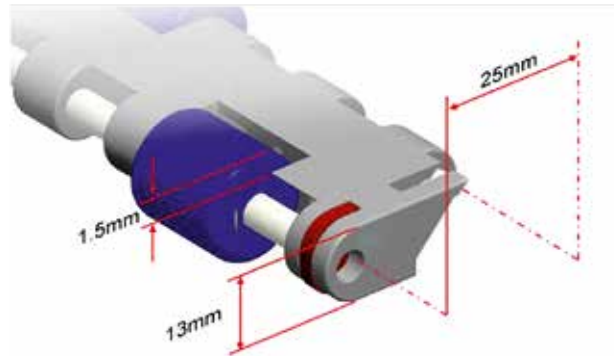


SPROCKET DIMENSIONS

No. teeth	PD [mm]	S [mm]	D [mm]	H1 [mm]	H2 [mm]	K [mm]
12	93	25.4/38.5/39/40.5	25.4/30.5/35.5/46.5/47.5	18	-	7x7
18	145	38.5/40.5	30.5/40.5/45.5/47.5	18	-	7x7
24	190	38.5/40.5/50.5/60.5	-	30	-	-
12-2R	93	38.5/40.5	25.4/30.5/45.5/47.5	-	20	8x8
15-2R	120	38.5/40.5	25.4/30.5/45.5/47.5	-	20	8x8
18-2R	145	38.5/40.5/45.5/60.5	40.5/45.5/47.5	-	20	8x8
21-2R	172	38.5/40.5	45.5	-	35	8x8
24-2R	190	38.5/40.5/60.5	-	-	35	-

HS-502C

Pitch	25 mm
Minimum width	178 mm
Open area	0%
Approved	FDA
Rod	Ø 5 mm
Flight	No
Side guard	No
Curve	No



DATA

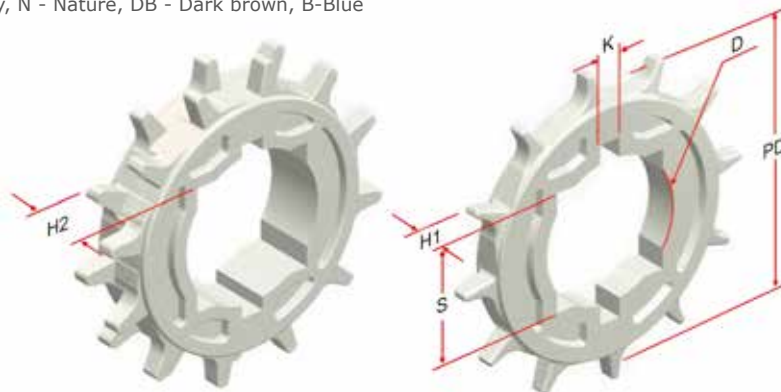
Belt material	Belt strenght			Temperature		Belt weight [kg/m ²]
	Straight		Curve	°C [min.]	°C [max.]	
	kg/m[BW]	N/m[BW]				
Polypropylene	1060	10600	-	1	100	8.0
Polyethylene	1030	10300	-	-60	60	8.7
Acetal	1720	17200	-	-40	80	12.6
Nylon	1520	15200	-	1	180	11.5

BW - belt width

COLOR TABLE

Polypropylene					Polyethylene					Acetal					Nylon				
W	G	N	DB	B	W	G	N	DB	B	W	G	N	DB	B	W	G	N	DB	B
●	●						●			●				●				●	

W - White, G - Grey, N - Nature, DB - Dark brown, B-Blue



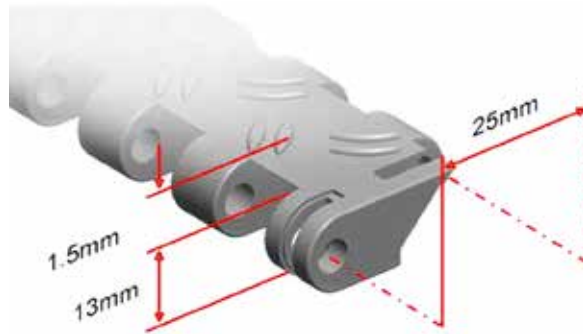
SPROCKET DIMENSIONS

No. teeth	PD [mm]	S [mm]	D [mm]	H1 [mm]	H2 [mm]	K [mm]
12	93	25.4/38.5/39/40.5	25.4/30.5/35.5/46.5/47.5	18	-	7x7
18	145	38.5/40.5	30.5/40.5/45.5/47.5	18	-	7x7
24	190	38.5/40.5/50.5/60.5	-	30	-	-
12-2R	93	38.5/40.5	25.4/30.5/45.5/47.5	-	20	8x8
15-2R	120	38.5/40.5	25.4/30.5/45.5/47.5	-	20	8x8
18-2R	145	38.5/40.5/45.5/60.5	40.5/45.5/47.5	-	20	8x8
21-2R	172	38.5/40.5	45.5	-	35	8x8
24-2R	190	38.5/40.5/60.5	-	-	35	-

HS-502D

60

Pitch	25 mm
Minimum width	178 mm
Open area	0%
Approved	FDA
Rod	Ø 5 mm
Flight	Yes
Side guard	No
Curve	No



DATA

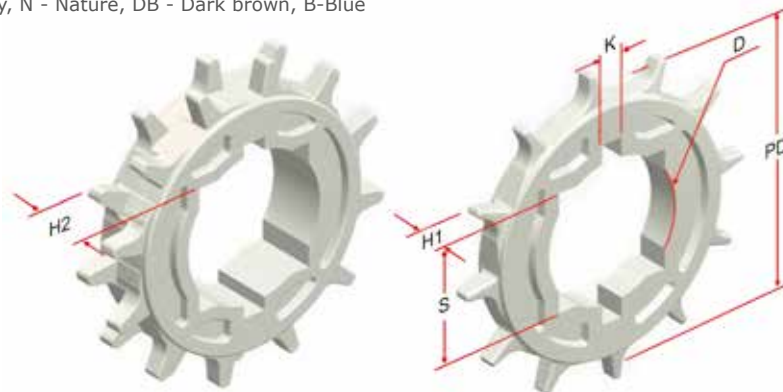
Belt material	Belt strenght			Temperature		Belt weight [kg/m ²]
	Straight		Curve	°C [min.]	°C [max.]	
	kg/m[BW]	N/m[BW]				
Polypropylene	1060	10600	-	1	100	6.5
Polyethylene	1030	10300	-	-60	60	7.3
Acetal	1720	17200	-	-40	80	11.5
Nylon	1520	15200	-	1	180	10.2

BW - belt width

COLOR TABLE

Polypropylene					Polyethylene					Acetal					Nylon				
W	G	N	DB	B	W	G	N	DB	B	W	G	N	DB	B	W	G	N	DB	B
●	●						●			●				●				●	

W - White, G - Grey, N - Nature, DB - Dark brown, B-Blue

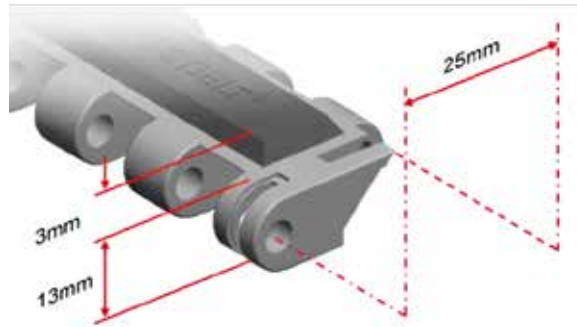


SPROCKET DIMENSIONS

No. teeth	PD [mm]	S [mm]	D [mm]	H1 [mm]	H2 [mm]	K [mm]
12	93	25.4/38.5/39/40.5	25.4/30.5/35.5/46.5/47.5	18	-	7x7
18	145	38.5/40.5	30.5/40.5/45.5/47.5	18	-	7x7
24	190	38.5/40.5/50.5/60.5	-	30	-	-
12-2R	93	38.5/40.5	25.4/30.5/45.5/47.5	-	20	8x8
15-2R	120	38.5/40.5	25.4/30.5/45.5/47.5	-	20	8x8
18-2R	145	38.5/40.5/45.5/60.5	40.5/45.5/47.5	-	20	8x8
21-2R	172	38.5/40.5	45.5	-	35	8x8
24-2R	190	38.5/40.5/60.5	-	-	35	-

HS-502EL

Pitch	25 mm
Minimum width	178 mm
Open area	0%
Approved	FDA
Rod	Ø 5 mm
Flight	Yes
Side guard	No
Curve	No



DATA

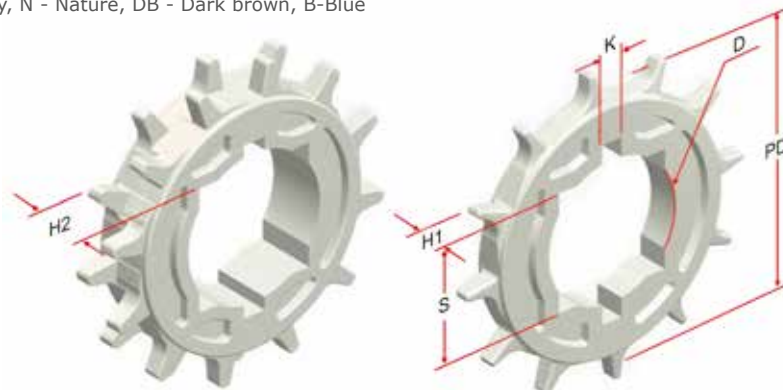
Belt material	Belt strenght			Temperature		Belt weight
	Straight		Curve	°C [min.]	°C [max.]	[kg/m ²]
	kg/m[BW]	N/m[BW]				
Polypropylene	1060	10600	-	1	70	7.7

BW - belt width

COLOR TABLE

Polypropylene					Polyethylene					Acetal					Nylon				
W	G	N	DB	B	W	G	N	DB	B	W	G	N	DB	B	W	G	N	DB	B
●	●																		

W - White, G - Grey, N - Nature, DB - Dark brown, B-Blue



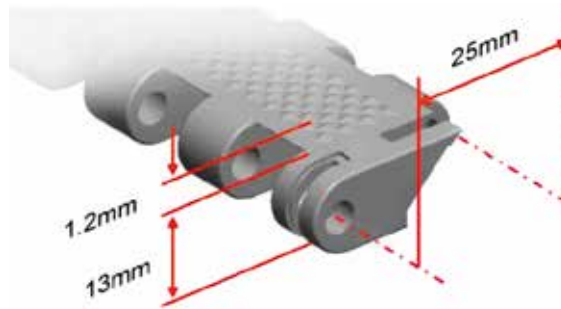
SPROCKET DIMENSIONS

No. teeth	PD [mm]	S [mm]	D [mm]	H1 [mm]	H2 [mm]	K [mm]
12	93	25.4/38.5/39/40.5	25.4/30.5/35.5/46.5/47.5	18	-	7x7
18	145	38.5/40.5	30.5/40.5/45.5/47.5	18	-	7x7
24	190	38.5/40.5/50.5/60.5	-	30	-	-
12-2R	93	38.5/40.5	25.4/30.5/45.5/47.5	-	20	8x8
15-2R	120	38.5/40.5	25.4/30.5/45.5/47.5	-	20	8x8
18-2R	145	38.5/40.5/45.5/60.5	40.5/45.5/47.5	-	20	8x8
21-2R	172	38.5/40.5	45.5	-	35	8x8
24-2R	190	38.5/40.5/60.5	-	-	35	-

HS-502ZS

62

Pitch	25 mm
Minimum width	178 mm
Open area	0%
Approved	FDA
Rod	Ø 5 mm
Flight	Yes
Side guard	No
Curve	No



DATA

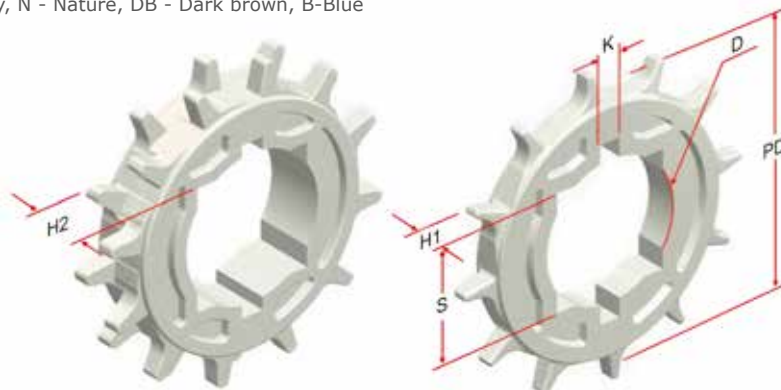
Belt material	Belt strenght			Temperature		Belt weight [kg/m ²]
	Straight		Curve	°C [min.]	°C [max.]	
	kg/m[BW]	N/m[BW]				
Polypropylene	1060	10600	-	1	100	6.5
Polyethylene	1030	10300	-	-60	60	7.3
Acetal	1720	17200	-	-40	80	11.5
Nylon	1520	15200	-	1	180	10.2

BW - belt width

COLOR TABLE

Polypropylene					Polyethylene					Acetal					Nylon				
W	G	N	DB	B	W	G	N	DB	B	W	G	N	DB	B	W	G	N	DB	B
●	●						●			●				●				●	

W - White, G - Grey, N - Nature, DB - Dark brown, B-Blue

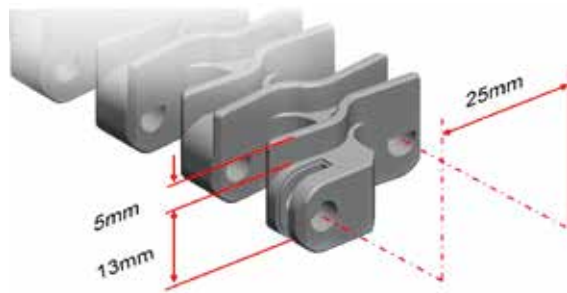


SPROCKET DIMENSIONS

No. teeth	PD [mm]	S [mm]	D [mm]	H1 [mm]	H2 [mm]	K [mm]
12	93	25.4/38.5/39/40.5	25.4/30.5/35.5/46.5/47.5	18	-	7x7
18	145	38.5/40.5	30.5/40.5/45.5/47.5	18	-	7x7
24	190	38.5/40.5/50.5/60.5	-	30	-	-
12-2R	93	38.5/40.5	25.4/30.5/45.5/47.5	-	20	8x8
15-2R	120	38.5/40.5	25.4/30.5/45.5/47.5	-	20	8x8
18-2R	145	38.5/40.5/45.5/60.5	40.5/45.5/47.5	-	20	8x8
21-2R	172	38.5/40.5	45.5	-	35	8x8
24-2R	190	38.5/40.5/60.5	-	-	35	-

HS-600B

Pitch	25 mm
Minimum width	172 mm
Open area	40%
Approved	FDA
Rod	Ø 5 mm
Flight	No
Side guard	No
Curve	No



DATA

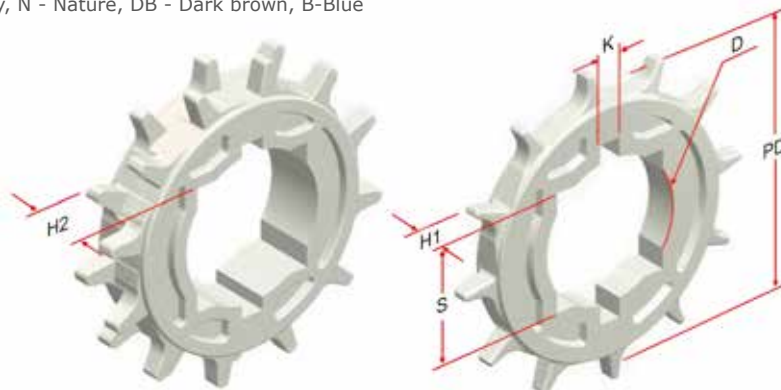
Belt material	Belt strenght			Temperature		Belt weight [kg/m ²]
	Straight		Curve	°C [min.]	°C [max.]	
	kg/m[BW]	N/m[BW]				
Polypropylene	1060	10600	-	1	100	7.5
Polyethylene	1030	10300	-	-60	60	8.2
Acetal	1720	17200	-	-40	80	10.9
Nylon	1520	15200	-	1	180	10.8

BW - belt width

COLOR TABLE

Polypropylene					Polyethylene					Acetal					Nylon				
W	G	N	DB	B	W	G	N	DB	B	W	G	N	DB	B	W	G	N	DB	B
●	●						●			●				●				●	

W - White, G - Grey, N - Nature, DB - Dark brown, B-Blue



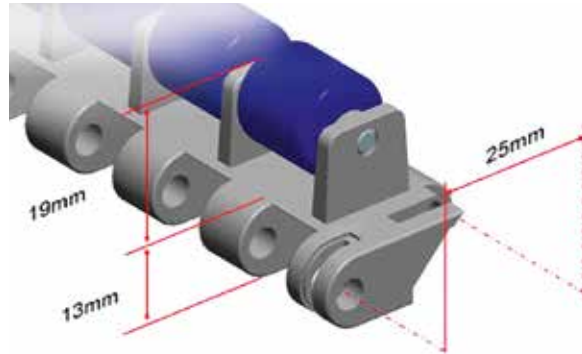
SPROCKET DIMENSIONS

No. teeth	PD [mm]	S [mm]	D [mm]	H1 [mm]	H2 [mm]	K [mm]
12	93	25.4/38.5/39/40.5	25.4/30.5/35.5/46.5/47.5	18	-	7x7
18	145	38.5/40.5	30.5/40.5/45.5/47.5	18	-	7x7
24	190	38.5/40.5/50.5/60.5	-	30	-	-
12-2R	93	38.5/40.5	25.4/30.5/45.5/47.5	-	20	8x8
15-2R	120	38.5/40.5	25.4/30.5/45.5/47.5	-	20	8x8
18-2R	145	38.5/40.5/45.5/60.5	40.5/45.5/47.5	-	20	8x8
21-2R	172	38.5/40.5	45.5	-	35	8x8
24-2R	190	38.5/40.5/60.5	-	-	35	-

HS-600C

64

Pitch	25 mm
Minimum width	250 mm
Open area	0%
Approved	FDA
Rod	Ø 5 mm
Flight	No
Side guard	No
Curve	No



DATA

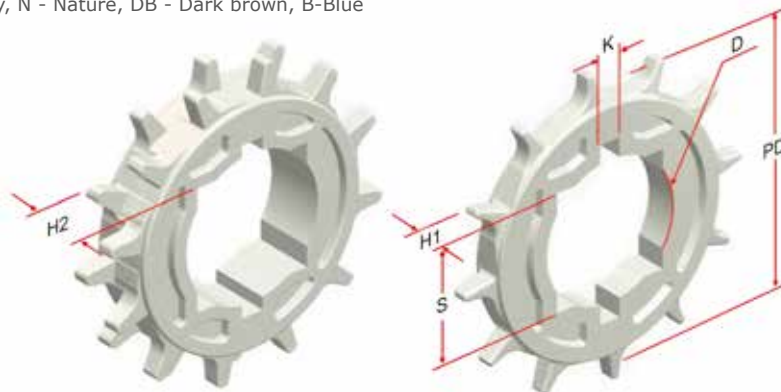
Belt material	Belt strenght			Temperature		Belt weight
	Straight		Curve	°C [min.]	°C [max.]	[kg/m ²]
	kg/m[BW]	N/m[BW]				
Polypropylene	1060	10600	-	1	100	20.0
Polyethylene	1030	10300	-	-60	60	22.0
Acetal	1720	17200	-	-40	80	29.0
Nylon	1520	15200	-	1	180	28.0

BW - belt width

COLOR TABLE

Polypropylene					Polyethylene					Acetal					Nylon				
W	G	N	DB	B	W	G	N	DB	B	W	G	N	DB	B	W	G	N	DB	B
●	●						●			●				●				●	

W - White, G - Grey, N - Nature, DB - Dark brown, B-Blue

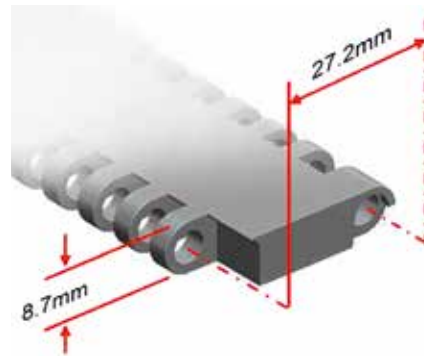


SPROCKET DIMENSIONS

No. teeth	PD [mm]	S [mm]	D [mm]	H1 [mm]	H2 [mm]	K [mm]
12	93	25.4/38.5/39/40.5	25.4/30.5/35.5/46.5/47.5	18	-	7x7
18	145	38.5/40.5	30.5/40.5/45.5/47.5	18	-	7x7
24	190	38.5/40.5/50.5/60.5	-	30	-	-
12-2R	93	38.5/40.5	25.4/30.5/45.5/47.5	-	20	8x8
15-2R	120	38.5/40.5	25.4/30.5/45.5/47.5	-	20	8x8
18-2R	145	38.5/40.5/45.5/60.5	40.5/45.5/47.5	-	20	8x8
21-2R	172	38.5/40.5	45.5	-	35	8x8
24-2R	190	38.5/40.5/60.5	-	-	35	-

HS-700A

Pitch	27.2 mm
Minimum width	210 mm
Open area	0%
Approved	FDA
Rod	Ø 5 mm
Flight	Yes
Side guard	Yes
Curve	No



DATA

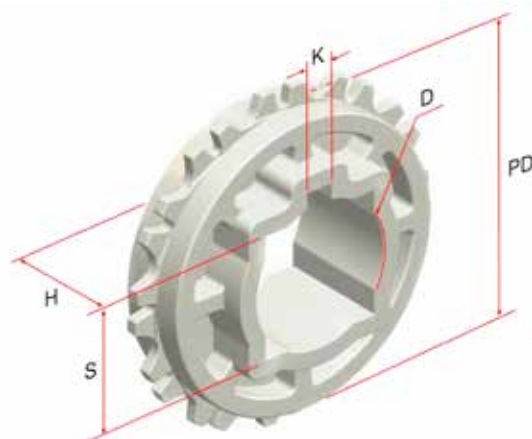
Belt material	Belt strenght			Temperature		Belt weight [kg/m ²]
	Straight		Curve	°C [min.]	°C [max.]	
	kg/m[BW]	N/m[BW]				
Polypropylene	1320	13200	-	1	100	4.9
Polyethylene	1060	10600	-	-60	60	5.7
Acetal	1880	18800	-	-40	80	6.8
Nylon	1610	16100	-	1	180	6.5

BW - belt width

COLOR TABLE

Polypropylene					Polyethylene					Acetal					Nylon				
W	G	N	DB	B	W	G	N	DB	B	W	G	N	DB	B	W	G	N	DB	B
●	●						●			●				●				●	

W - White, G - Grey, N - Nature, DB - Dark brown, B-Blue

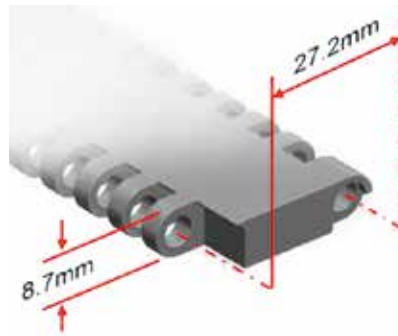


SPROCKET DIMENSIONS

No. teeth	PD [mm]	S [mm]	D [mm]	H [mm]	K [mm]
9	-	-	25.4	35	8x8
12	104	25.4/38.5/40.5	25.4/30.5/45.5/47.5	35	8x8
18	155	38.5/40.5	25.4/30.5/46/47.5	35	8x8
24	208	38.5/40.5	45.5/47.5	35	8x8

HS-700A-N

Pitch	27.2 mm
Minimum width	152 mm
Open area	0%
Approved	FDA
Rod	Ø 5 mm
Flight	Yes
Side guard	Yes
Curve	No



DATA

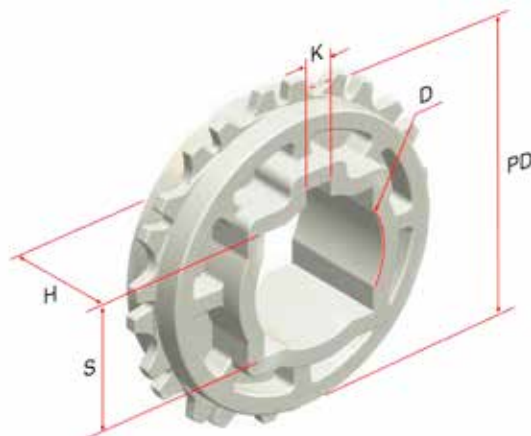
Belt material	Belt strenght			Temperature		Belt weight [kg/m ²]
	Straight		Curve	°C [min.]	°C [max.]	
	kg/m[BW]	N/m[BW]				
Polypropylene	1320	13200	-	1	100	4.9
Polyethylene	1060	10600	-	-60	60	5.7
Acetal	1880	18800	-	-40	80	6.8
Nylon	1610	16100	-	1	180	6.5

BW - belt width

COLOR TABLE

Polypropylene					Polyethylene					Acetal					Nylon				
W	G	N	DB	B	W	G	N	DB	B	W	G	N	DB	B	W	G	N	DB	B
●	●						●			●				●				●	

W - White, G - Grey, N - Nature, DB - Dark brown, B-Blue

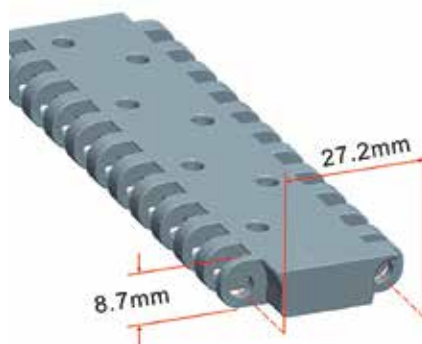


SPROCKET DIMENSIONS

No. teeth	PD [mm]	S [mm]	D [mm]	H [mm]	K [mm]
9	-	-	25.4	35	8x8
12	104	25.4/38.5/40.5	25.4/30.5/45.5/47.5	35	8x8
18	155	38.5/40.5	25.4/30.5/46/47.5	35	8x8
24	208	38.5/40.5	45.5/47.5	35	8x8

HS-700AB-N

Pitch	27.2 mm
Minimum width	152 mm
Open area	4%
Approved	FDA
Rod	Ø 5 mm
Flight	Yes
Side guard	Yes
Curve	No



DATA

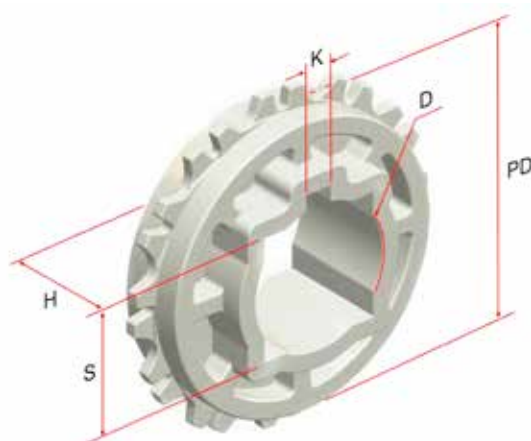
Belt material	Belt strenght			Temperature		Belt weight [kg/m ²]
	Straight		Curve	°C [min.]	°C [max.]	
	kg/m[BW]	N/m[BW]				
Polypropylene	1320	13200	-	1	100	4.9
Polyethylene	1060	10600	-	-60	60	5.7
Acetal	1880	18800	-	-40	80	6.8
Nylon	1610	16100	-	1	180	6.5

BW - belt width

COLOR TABLE

Polypropylene					Polyethylene					Acetal					Nylon				
W	G	N	DB	B	W	G	N	DB	B	W	G	N	DB	B	W	G	N	DB	B
●	●						●			●				●				●	

W - White, G - Grey, N - Nature, DB - Dark brown, B-Blue



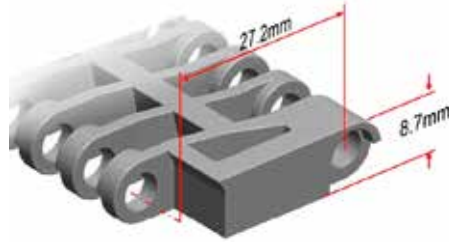
SPROCKET DIMENSIONS

No. teeth	PD [mm]	S [mm]	D [mm]	H [mm]	K [mm]
9	-	-	25.4	35	8x8
12	104	25.4/38.5/40.5	25.4/30.5/45.5/47.5	35	8x8
18	155	38.5/40.5	25.4/30.5/46/47.5	35	8x8
24	208	38.5/40.5	45.5/47.5	35	8x8

HS-700B

68

Pitch	27.2 mm
Minimum width	208 mm
Open area	38%
Approved	FDA
Rod	Ø 5 mm
Flight	Yes
Side guard	Yes
Curve	No



DATA

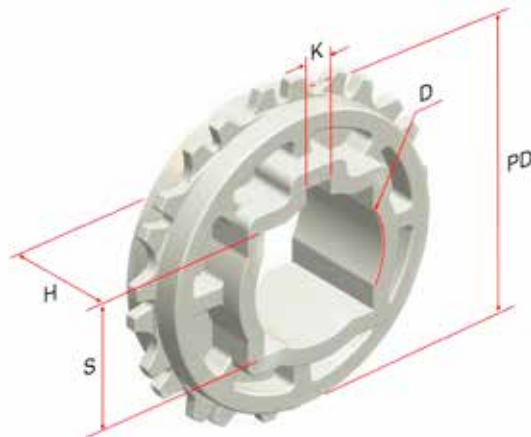
Belt material	Belt strenght			Temperature		Belt weight [kg/m ²]
	Straight		Curve	°C [min.]	°C [max.]	
	kg/m[BW]	N/m[BW]				
Polypropylene	1320	13200	-	1	100	4.0
Polyethylene	1060	10600	-	-60	60	4.8
Acetal	1880	18800	-	-40	80	6.2
Nylon	1610	16100	-	1	180	5.7

BW - belt width

COLOR TABLE

Polypropylene					Polyethylene					Acetal					Nylon				
W	G	N	DB	B	W	G	N	DB	B	W	G	N	DB	B	W	G	N	DB	B
●	●			●			●			●						●			

W - White, G - Grey, N - Nature, DB - Dark brown, B-Blue

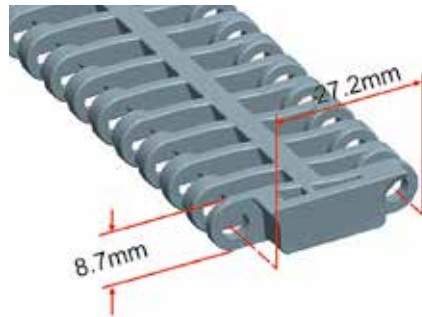


SPROCKET DIMENSIONS

No. teeth	PD [mm]	S [mm]	D [mm]	H [mm]	K [mm]
9	-	-	25.4	35	8x8
12	104	25.4/38.5/40.5	25.4/30.5/45.5/47.5	35	8x8
18	155	38.5/40.5	25.4/30.5/46/47.5	35	8x8
24	208	38.5/40.5	45.5/47.5	35	8x8

HS-700B-N

Pitch	27.2 mm
Minimum width	152 mm
Open area	38%
Approved	FDA
Rod	Ø 5 mm
Flight	Yes
Side guard	Yes
Curve	No



DATA

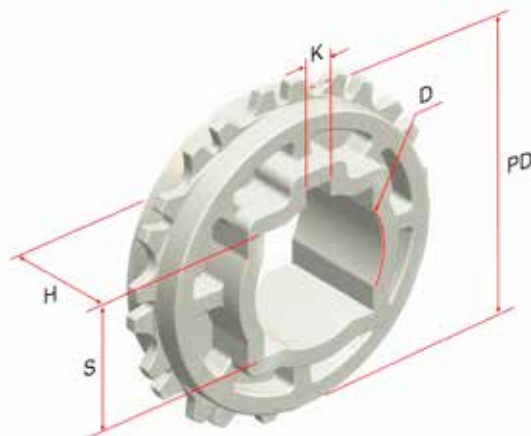
Belt material	Belt strenght			Temperature		Belt weight [kg/m ²]
	Straight		Curve	°C [min.]	°C [max.]	
	kg/m[BW]	N/m[BW]				
Polypropylene	1040	10400	-	1	100	4.0
Polyethylene	520	5200	-	-60	60	4.8
Acetal	1620	16200	-	-40	80	6.2
Nylon	1510	15100	-	1	180	5.7

BW - belt width

COLOR TABLE

Polypropylene					Polyethylene					Acetal					Nylon				
W	G	N	DB	B	W	G	N	DB	B	W	G	N	DB	B	W	G	N	DB	B
●	●			●			●			●						●			

W - White, G - Grey, N - Nature, DB - Dark brown, B-Blue



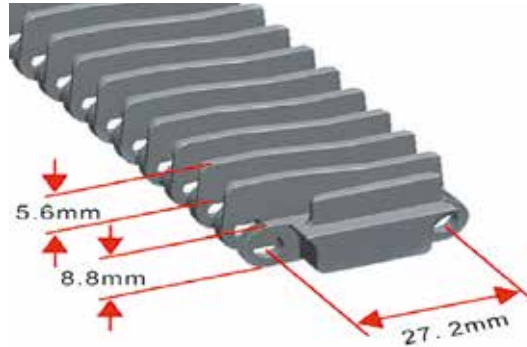
SPROCKET DIMENSIONS

No. teeth	PD [mm]	S [mm]	D [mm]	H [mm]	K [mm]
9	-	-	25.4	35	8x8
12	104	25.4/38.5/40.5	25.4/30.5/45.5/47.5	35	8x8
18	155	38.5/40.5	25.4/30.5/46/47.5	35	8x8
24	208	38.5/40.5	45.5/47.5	35	8x8

HS-700D-N

70

Pitch	27.2 mm
Minimum width	152 mm
Open area	38%
Approved	FDA
Rod	Ø 5 mm
Flight	No
Side guard	No
Curve	No



DATA

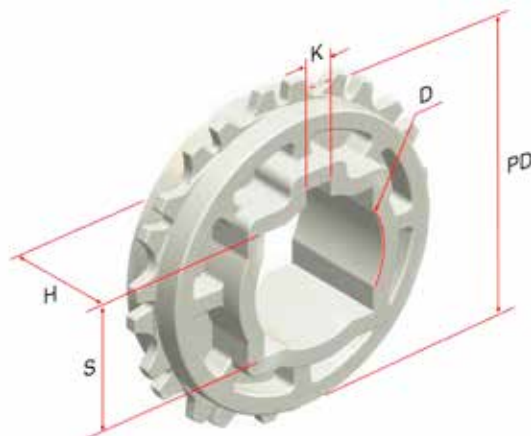
Belt material	Belt strenght			Temperature		Belt weight [kg/m ²]
	Straight		Curve	°C [min.]	°C [max.]	
	kg/m[BW]	N/m[BW]				
Polypropylene	1320	13200	-	1	100	5.2
Polyethylene	1060	10600	-	-60	60	5.6
Acetal	1880	18800	-	-40	80	8.2
Nylon	1610	16100	-	1	180	7.8

BW - belt width

COLOR TABLE

Polypropylene					Polyethylene					Acetal					Nylon				
W	G	N	DB	B	W	G	N	DB	B	W	G	N	DB	B	W	G	N	DB	B
●	●			●			●			●						●			

W - White, G - Grey, N - Nature, DB - Dark brown, B-Blue

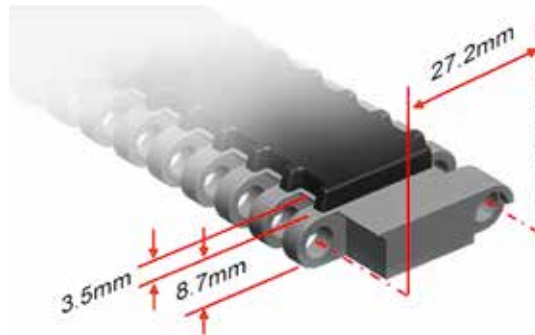


SPROCKET DIMENSIONS

No. teeth	PD [mm]	S [mm]	D [mm]	H [mm]	K [mm]
9	-	-	25.4	35	8x8
12	104	25.4/38.5/40.5	25.4/30.5/45.5/47.5	35	8x8
18	155	38.5/40.5	25.4/30.5/46/47.5	35	8x8
24	208	38.5/40.5	45.5/47.5	35	8x8

HS-700EL

Pitch	27.2 mm
Minimum width	210 mm
Open area	0%
Approved	FDA
Rod	Ø 5 mm
Flight	Yes
Side guard	Yes
Curve	No



DATA

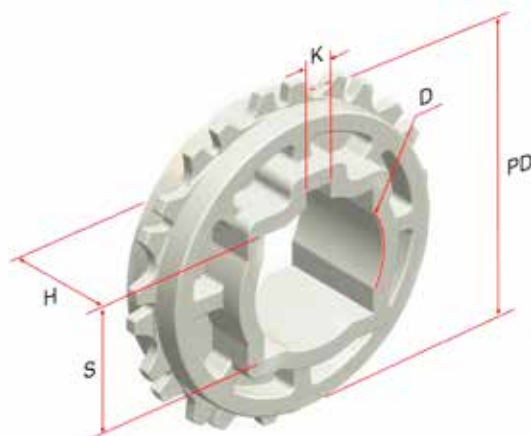
Belt material	Belt strenght			Temperature		Belt weight
	Straight		Curve	°C [min.]	°C [max.]	[kg/m ²]
	kg/m[BW]	N/m[BW]				
Polypropylene	1320	13200	-	1	70	5.7

BW - belt width

COLOR TABLE

Polypropylene					Polyethylene					Acetal					Nylon				
W	G	N	DB	B	W	G	N	DB	B	W	G	N	DB	B	W	G	N	DB	B
●	●																		

W - White, G - Grey, N - Nature, DB - Dark brown, B-Blue



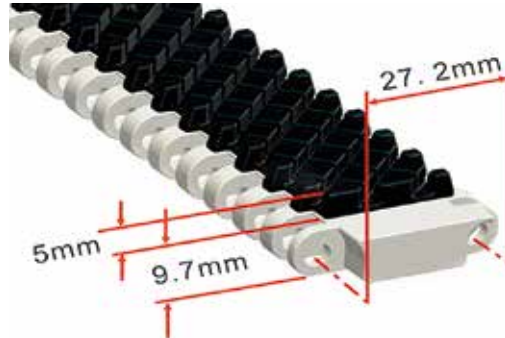
SPROCKET DIMENSIONS

No. teeth	PD [mm]	S [mm]	D [mm]	H [mm]	K [mm]
9	-	-	25.4	35	8x8
12	104	25.4/38.5/40.5	25.4/30.5/45.5/47.5	35	8x8
18	155	38.5/40.5	25.4/30.5/46/47.5	35	8x8
24	208	38.5/40.5	45.5/47.5	35	8x8

HS-700EL-N

72

Pitch	27.2 mm
Minimum width	152 mm
Open area	0%
Approved	FDA
Rod	Ø 5 mm
Flight	Yes
Side guard	Yes
Curve	No



DATA

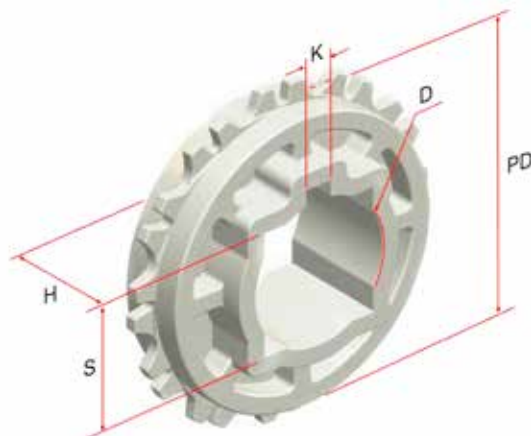
Belt material	Belt strength			Temperature		Belt weight
	Straight		Curve	°C [min.]	°C [max.]	[kg/m ²]
	kg/m[BW]	N/m[BW]				
Polypropylene	1320	13200	-	1	70	5.7

BW - belt width

COLOR TABLE

Polypropylene					Polyethylene					Acetal					Nylon				
W	G	N	DB	B	W	G	N	DB	B	W	G	N	DB	B	W	G	N	DB	B
●	●																		

W - White, G - Grey, N - Nature, DB - Dark brown, B-Blue

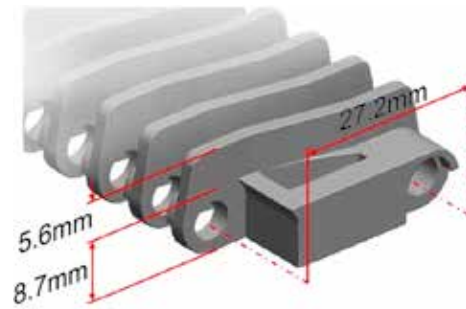


SPROCKET DIMENSIONS

No. teeth	PD [mm]	S [mm]	D [mm]	H [mm]	K [mm]
9	-	-	25.4	35	8x8
12	104	25.4/38.5/40.5	25.4/30.5/45.5/47.5	35	8x8
18	155	38.5/40.5	25.4/30.5/46/47.5	35	8x8
24	208	38.5/40.5	45.5/47.5	35	8x8

HS-701B

Pitch	27.2 mm
Minimum width	208 mm
Open area	38%
Approved	FDA
Rod	Ø 5 mm
Flight	No
Side guard	No
Curve	No



DATA

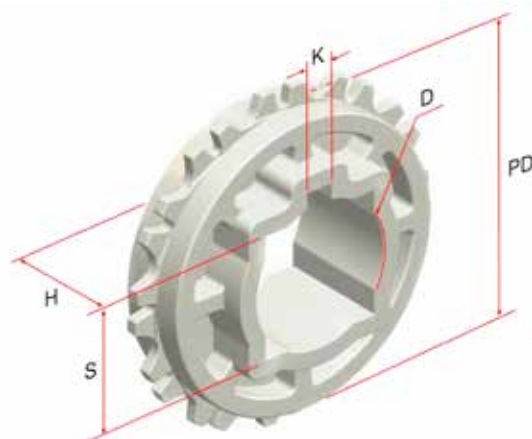
Belt material	Belt strength			Temperature		Belt weight [kg/m ²]
	Straight		Curve	°C [min.]	°C [max.]	
	kg/m[BW]	N/m[BW]				
Polypropylene	1320	13200	-	1	100	5.2
Polyethylene	1060	10600	-	-60	60	5.6
Acetal	1880	18800	-	-40	80	8.2
Nylon	1610	16100	-	1	180	7.8

BW - belt width

COLOR TABLE

Polypropylene					Polyethylene					Acetal					Nylon				
W	G	N	DB	B	W	G	N	DB	B	W	G	N	DB	B	W	G	N	DB	B
●	●			●			●			●						●			

W - White, G - Grey, N - Nature, DB - Dark brown, B-Blue



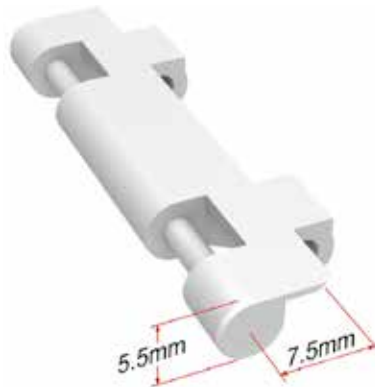
SPROCKET DIMENSIONS

No. teeth	PD [mm]	S [mm]	D [mm]	H [mm]	K [mm]
12	104	38.5	45.5	35	8x8
18	155	38.5	45.5	35	8x8
24	208	38.5	45.5	35	8x8

HS-750RC

74

Pitch	7.5 mm
Minimum width	46 mm
Open area	0%
Approved	FDA
Rod	No
Flight	Yes
Side guard	No
Curve	No



DATA

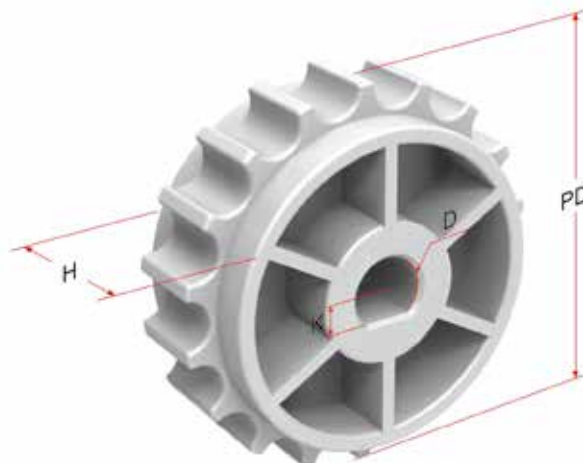
Belt material	Belt strenght			Temperature		Belt weight [kg/m ²]
	Straight		Curve	°C [min.]	°C [max.]	
	kg/m[BW]	N/m[BW]				
Polypropylene	800	8000	-	1	100	
Acetal	465	4650	-	-60	60	0.148

BW - belt width

COLOR TABLE

Polypropylene					Polyethylene					Acetal					Nylon				
W	G	N	DB	B	W	G	N	DB	B	W	G	N	DB	B	W	G	N	DB	B
●				●			●			●						●			

W - White, G - Grey, N - Nature, DB - Dark brown, B-Blue

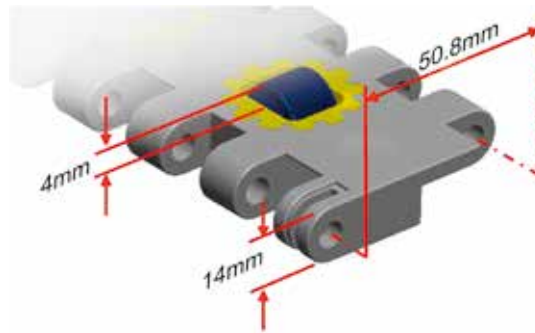


SPROCKET DIMENSIONS

No. teeth	PD [mm]	D [mm]	H [mm]	K [mm]
18	43	8	19	-
18-Idler	43	14	19	-

HS-800-1C

Pitch	50.8 mm
Minimum width	288 mm
Open area	0%
Approved	FDA
Rod	Ø 6 mm
Flight	No
Side guard	No
Curve	No



DATA

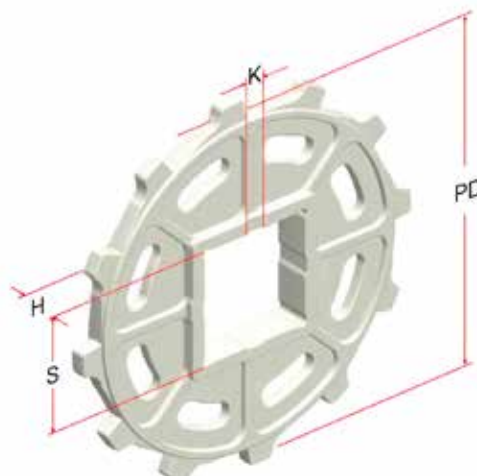
Belt material	Belt strenght		Curve	Temperature		Belt weight [kg/m ²]
	Straight			°C [min.]	°C [max.]	
	kg/m[BW]	N/m[BW]				
Polypropylene	4380	43800	-	1	100	9.8

BW - belt width

COLOR TABLE

Polypropylene					Polyethylene					Acetal					Nylon				
W	G	N	DB	B	W	G	N	DB	B	W	G	N	DB	B	W	G	N	DB	B
●	●																		

W - White, G - Grey, N - Nature, DB - Dark brown, B-Blue



SPROCKET DIMENSIONS

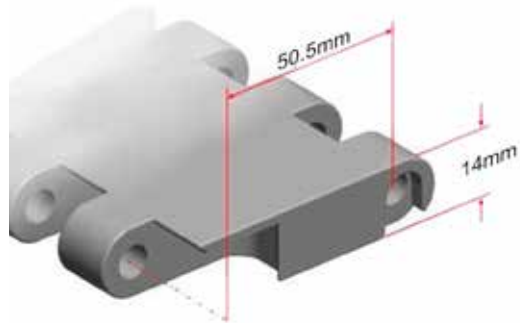
No. teeth	PD [mm]	S [mm]	D [mm]	H [mm]	K [mm]
6	101.5	38.5	-	20	7x7
9	148.5	38.5*	-	12	8x8
12	196	60.5	-	12	-

S* - double rows square bore of sprocket is 40.5x40.5 mm.

HS-900A

76

Pitch	50.8 mm
Minimum width	150 mm
Open area	0%
Approved	FDA
Rod	Ø 6 mm
Flight	Yes
Side guard	Yes
Curve	No



DATA

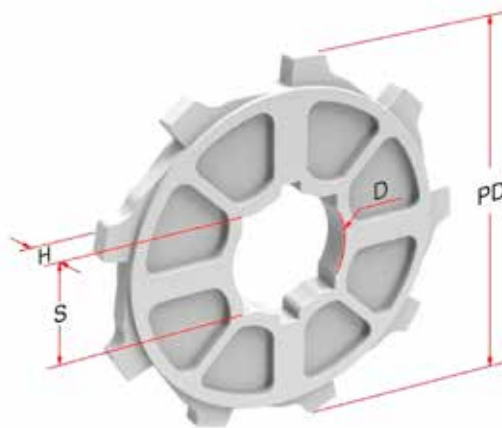
Belt material	Belt strenght			Temperature		Belt weight [kg/m ²]
	Straight		Curve	°C [min.]	°C [max.]	
	kg/m[BW]	N/m[BW]				
Polypropylene	2745	27450	-	1	100	6.6
Polyethylene	2610	26100	-	-60	60	7.4
Acetal	3090	30900	-	-40	80	9.5
Nylon	2400	24000	-	1	180	8.5

BW - belt width

COLOR TABLE

Polypropylene					Polyethylene					Acetal					Nylon				
W	G	N	DB	B	W	G	N	DB	B	W	G	N	DB	B	W	G	N	DB	B
●	●						●			●						●			

W - White, G - Grey, N - Nature, DB - Dark brown, B-Blue



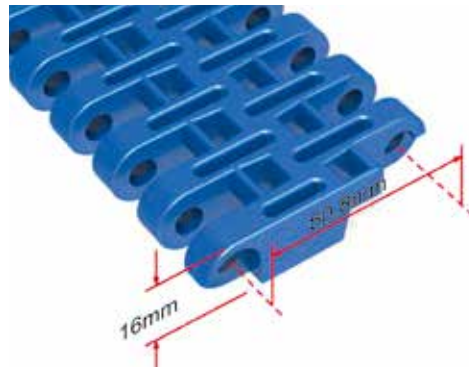
SPROCKET DIMENSIONS

No. teeth	PD [mm]	S [mm]	D [mm]	H [mm]	K [mm]
6	101.5	38.5	45.5	20	7x7
9	148.5	38.5*	45.5	20	8x8
12	196	60.5	-	20	-

S* - double rows square bore of sprocket is 40.5x40.5 mm.

HS-900B-HD

Pitch	50.8 mm
Minimum width	224.5 mm
Open area	32%
Approved	FDA
Rod	Ø 7 mm
Flight	Yes
Side guard	Yes
Curve	No



DATA

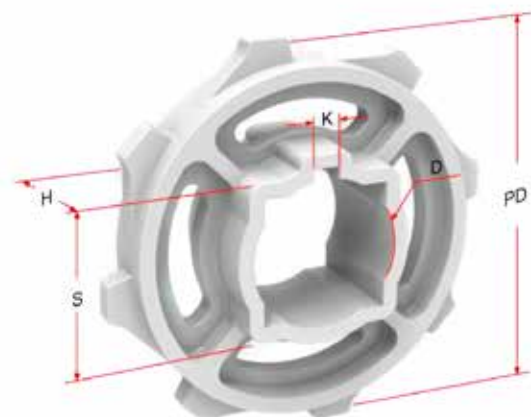
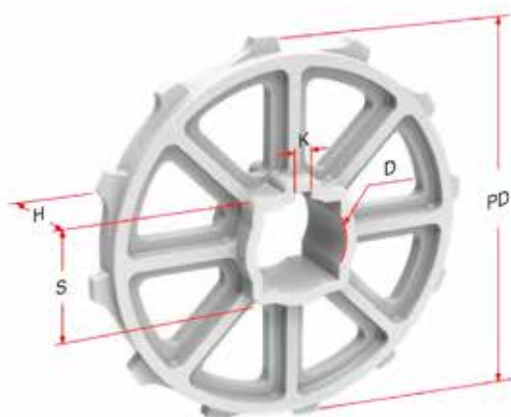
Belt material	Belt strenght			Temperature		Belt weight [kg/m ²]
	Straight		Curve	°C [min.]	°C [max.]	
	kg/m[BW]	N/m[BW]				
Polypropylene	2745	27450	-	1	110	8.2
Polyethylene	2610	26100	-	-60	60	8.6
Acetal	3090	30900	-	-40	80	12.4
Nylon	2400	24000	-	1	180	11.2

BW - belt width

COLOR TABLE

Polypropylene					Polyethylene					Acetal					Nylon				
W	G	N	DB	B	W	G	N	DB	B	W	G	N	DB	B	W	G	N	DB	B
●	●																		

W - White, G - Grey, N - Nature, DB - Dark brown, B-Blue



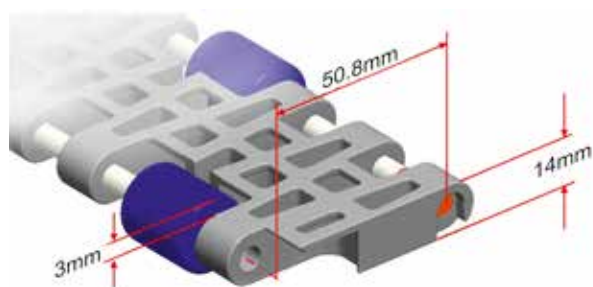
SPROCKET DIMENSIONS

No. teeth	PD [mm]	S [mm]	D [mm]	H [mm]	K [mm]
8	132.5	38.5/40.5	-	38	-
9	148	38.5/40.5	-	38	-
10	164	38.5/40.5	65.3	38	8x7
12	196	38.5/40.5	-	38	-

HS-900C

78

Pitch	50.8 mm
Minimum width	150 mm
Open area	34%
Approved	FDA
Rod	Ø 6 mm
Flight	No
Side guard	No
Curve	No



DATA

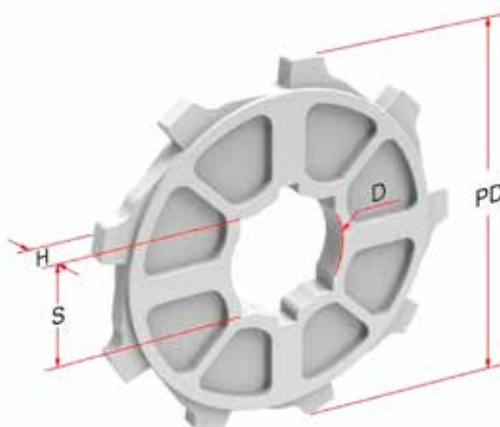
Belt material	Belt strenght			Temperature		Belt weight [kg/m ²]
	Straight		Curve	°C [min.]	°C [max.]	
	kg/m[BW]	N/m[BW]				
Polypropylene	2745	27450	-	1	100	6.6
Polyethylene	2610	26100	-	-60	60	7.4
Acetal	3090	30900	-	-40	80	9.5
Nylon	2400	24000	-	1	180	8.5

BW - belt width

COLOR TABLE

Polypropylene					Polyethylene					Acetal					Nylon				
W	G	N	DB	B	W	G	N	DB	B	W	G	N	DB	B	W	G	N	DB	B
●	●						●			●						●			

W - White, G - Grey, N - Nature, DB - Dark brown, B-Blue

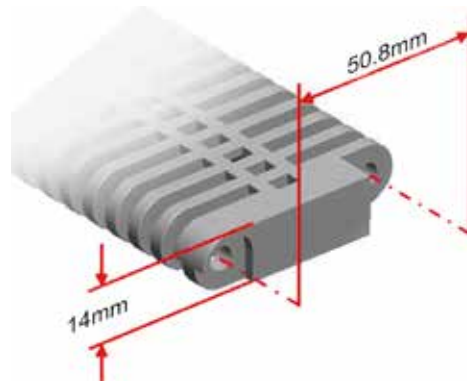


SPROCKET DIMENSIONS

No. teeth	PD [mm]	S [mm]	D [mm]	H [mm]	K [mm]
6	101.5	38.5/40.5	45.5/47.5	20	7x7
9	148.5	38.5/40.5	30.5/40.5/47.5	12	8x8
9-2R	148.5	38.5	-	34	-
12	196	38.5/40.5/60.5	-	12	-

HS-901B

Pitch	50.8 mm
Minimum width	152 mm
Open area	18%
Approved	FDA
Rod	Ø 6 mm
Flight	No
Side guard	No
Curve	No



DATA

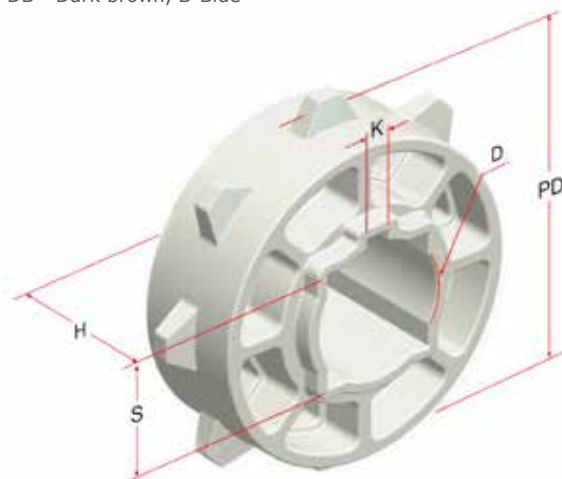
Belt material	Belt strength			Temperature		Belt weight [kg/m ²]
	Straight		Curve	°C [min.]	°C [max.]	
	kg/m[BW]	N/m[BW]				
Polypropylene	3500	35000	-	1	100	8.4
Polyethylene	2600	26000	-	-60	60	9.3
Acetal	4760	47600	-	-40	80	13.6

BW - belt width

COLOR TABLE

Polypropylene					Polyethylene					Acetal				
W	G	N	DB	B	W	G	N	DB	B	W	G	N	DB	B
●	●						●			●			●	●

W - White, G - Grey, N - Nature, DB - Dark brown, B-Blue

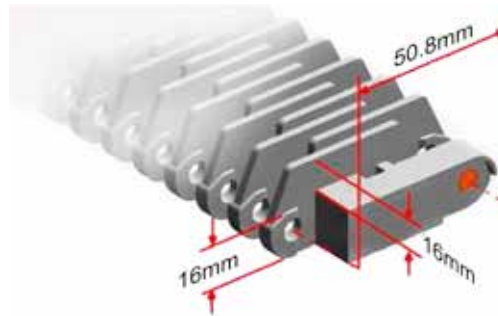


SPROCKET DIMENSIONS

No. teeth	PD [mm]	S [mm]	D [mm]	H [mm]	K [mm]
6	91	38.5	-	38	-
8	133	38.5/40.5	-	48.5	-
8-Split	133	38.5/40.5	-	48.5	-
12	196	38.5/40.5/60.5/70.5	40	48.5	12x8
17	275	120	-	48.5	-

HS-901D

Pitch	50.8 mm
Minimum width	163 mm
Open area	36%
Approved	FDA
Rod	Ø 6 mm
Flight	No
Side guard	No
Curve	No



DATA

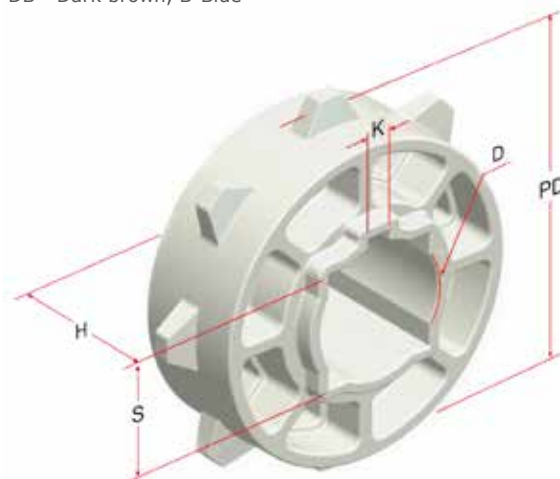
Belt material	Belt strength			Temperature		Belt weight [kg/m ²]
	Straight		Curve	°C [min.]	°C [max.]	
	kg/m[BW]	N/m[BW]				
Polypropylene	2500	25000	-	1	100	9.6
Polyethylene	2600	26000	-	-60	60	9.6
Acetal	4760	47600	-	-40	80	13.6

BW - belt width

COLOR TABLE

Polypropylene					Polyethylene					Acetal				
W	G	N	DB	B	W	G	N	DB	B	W	G	N	DB	B
●	●						●			●			●	●

W - White, G - Grey, N - Nature, DB - Dark brown, B-Blue

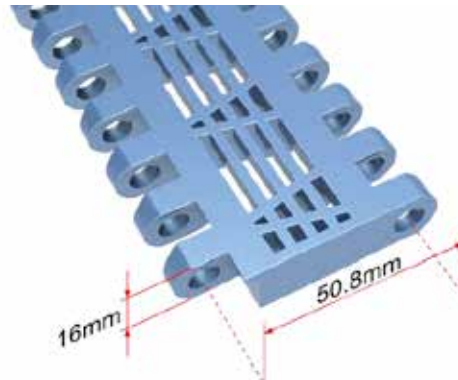


SPROCKET DIMENSIONS

No. teeth	PD [mm]	S [mm]	D [mm]	H [mm]	K [mm]
8	133	35	40.5	48.5	12x8
12	196	-	40.5	48.5	12x8

HS-902B

Pitch	50.8 mm
Minimum width	150 mm
Open area	23%
Approved	FDA
Rod	Ø 8 mm
Flight	Yes
Side guard	Yes
Curve	No



DATA

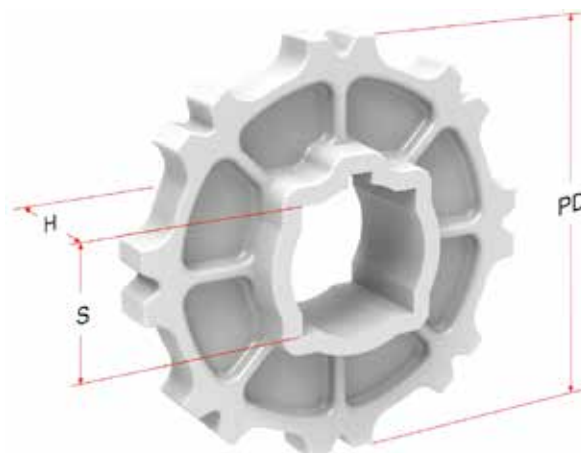
Belt material	Belt strenght			Temperature		Belt weight [kg/m ²]
	Straight		Curve	°C [min.]	°C [max.]	
	kg/m[BW]	N/m[BW]				
Polypropylene	1340	13400	-	1	100	9.3
Polyethylene	1280	12800	-	-60	60	9.8
Acetal	1770	17700	-	-40	80	14.0
Nylon	1520	15200	-	1	180	12.6

BW - belt width

COLOR TABLE

Polypropylene					Polyethylene					Acetal					Nylon				
W	G	N	DB	B	W	G	N	DB	B	W	G	N	DB	B	W	G	N	DB	B
●	●						●			●				●				●	

W - White, G - Grey, N - Nature, DB - Dark brown, B-Blue



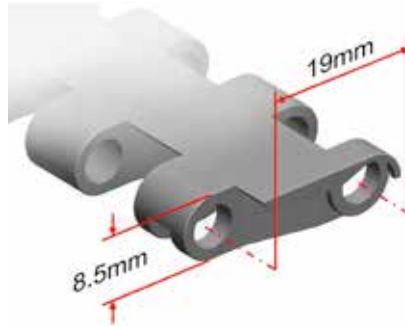
SPROCKET DIMENSIONS

No. teeth	PD [mm]	S [mm]	D [mm]	H [mm]	K [mm]
7	117	38.5/40.5	38.5/45.5/47.5	35	7x7
8	132.7	38.5/40.5	38.5/45.5/47.5	35	7x7
9	148.5	38.5/40.5/50.5	35.5/40.5/45.5	35	7x7
10	194.4	38.5/40.5	38.5/45.5/47.5	35	7x7

HS-1000A

82

Pitch	19 mm
Minimum width	152 mm
Open area	0%
Approved	FDA
Rod	Ø 4.5 mm
Flight	Yes
Side guard	Yes
Curve	No



DATA

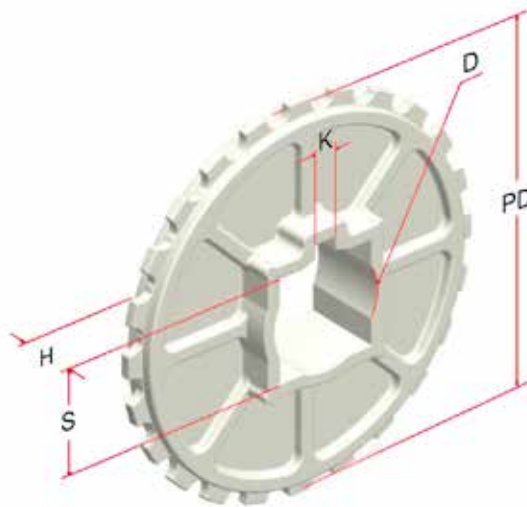
Belt material	Belt strenght			Temperature		Belt weight [kg/m ²]
	Straight		Curve	°C [min.]	°C [max.]	
	kg/m[BW]	N/m[BW]				
Polypropylene	1420	14200	-	1	100	4.7
Polyethylene	1210	12100	-	-60	60	4.9
Acetal	2025	20250	-	-40	80	6.5
Nylon	1500	15000	-	1	180	5.0

BW - belt width

COLOR TABLE

Polypropylene					Polyethylene					Acetal					Nylon				
W	G	N	DB	B	W	G	N	DB	B	W	G	N	DB	B	W	G	N	DB	B
●	●						●			●						●			

W - White, G - Grey, N - Nature, DB - Dark brown, B-Blue

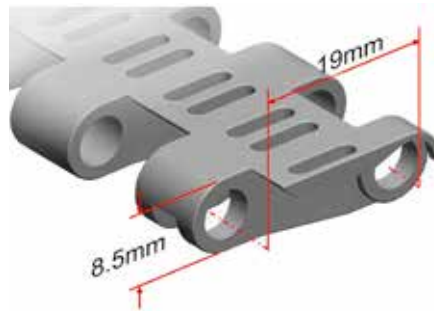


SPROCKET DIMENSIONS

No. teeth	PD [mm]	S [mm]	D [mm]	H [mm]	K [mm]
7	43.5	-	25	12	6x6
17	102	38.5/40.5	30.5/45.5/47.5	30	8x8
24	144	38.5	45.5	30	8x8

HS-1000B

Pitch	19 mm
Minimum width	152 mm
Open area	27%
Approved	FDA
Rod	Ø 4.5 mm
Flight	Yes
Side guard	Yes
Curve	No



DATA

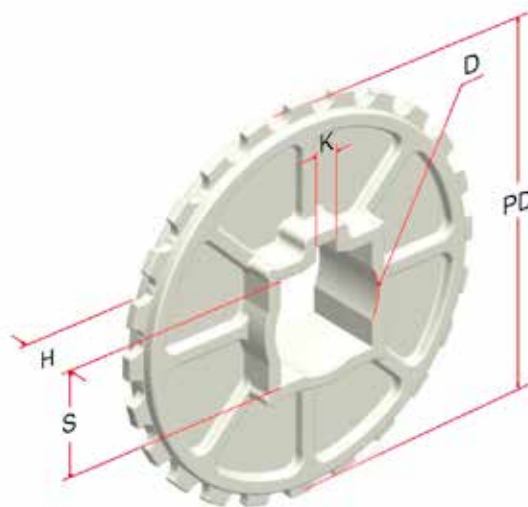
Belt material	Belt strenght			Temperature		Belt weight [kg/m ²]
	Straight		Curve	°C [min.]	°C [max.]	
	kg/m[BW]	N/m[BW]				
Polypropylene	1420	14200	-	1	100	4.4
Polyethylene	1210	12100	-	-60	60	4.6
Acetal	2025	20250	-	-40	80	6.0
Nylon	1500	15000	-	1	180	4.7

BW - belt width

COLOR TABLE

Polypropylene					Polyethylene					Acetal					Nylon				
W	G	N	DB	B	W	G	N	DB	B	W	G	N	DB	B	W	G	N	DB	B
●	●						●			●						●			

W - White, G - Grey, N - Nature, DB - Dark brown, B-Blue

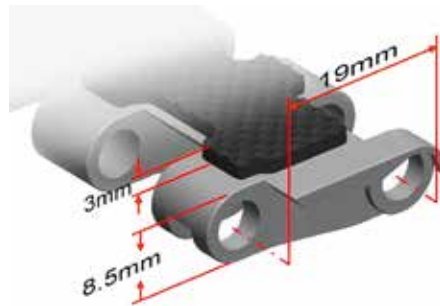


SPROCKET DIMENSIONS

No. teeth	PD [mm]	S [mm]	D [mm]	H [mm]	K [mm]
7	43.5	-	25	12	6x6
17	102	38.5/40.5	30.5/45.5/47.5	30	8x8
24	144	38.5	45.5	30	8x8

HS-1000EL

Pitch	19 mm
Minimum width	152 mm
Open area	0%
Approved	FDA
Rod	Ø 4.5 mm
Flight	Yes
Side guard	Yes
Curve	No



DATA

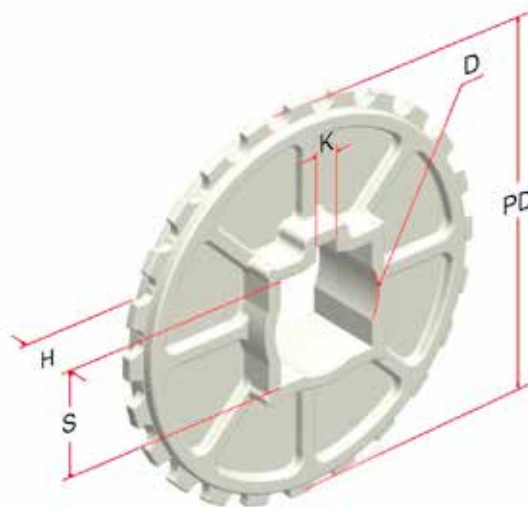
Belt material	Belt strength		Curve	Temperature		Belt weight [kg/m ²]
	Straight			°C [min.]	°C [max.]	
	kg/m[BW]	N/m[BW]				
Polypropylene	1420	14200	-	1	70	5.8

BW - belt width

COLOR TABLE

Polypropylene					Polyethylene					Acetal					Nylon				
W	G	N	DB	B	W	G	N	DB	B	W	G	N	DB	B	W	G	N	DB	B
●	●																		

W - White, G - Grey, N - Nature, DB - Dark brown, B-Blue

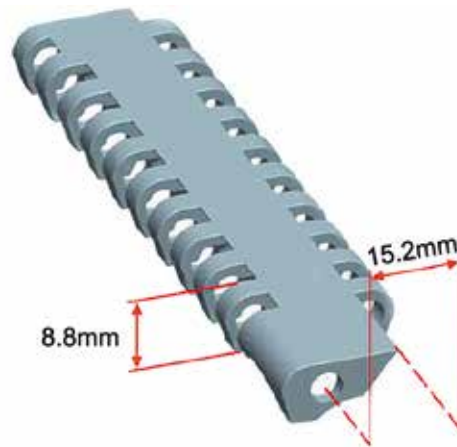


SPROCKET DIMENSIONS

No. teeth	PD [mm]	S [mm]	D [mm]	H [mm]	K [mm]
7	43.5	-	25	12	6x6
17	102	38.5/40.5	30.5/45.5/47.5	30	8x8
24	144	38.5	45.5	30	8x8

HS-1100A-N

Pitch	15.2 mm
Minimum width	152 mm
Open area	3%
Approved	FDA
Rod	Ø 4.5 mm
Flight	No
Side guard	No
Curve	No



DATA

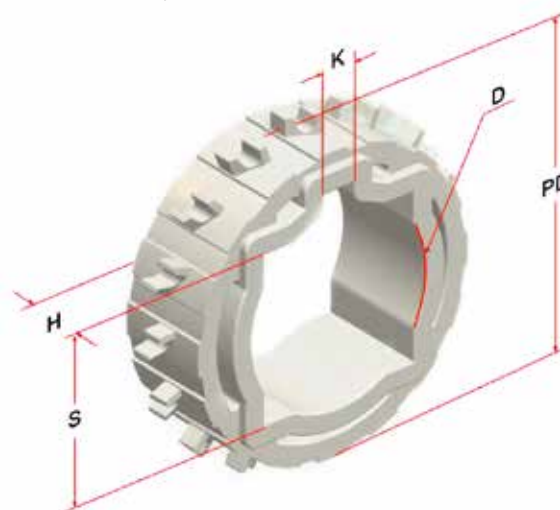
Belt material	Belt strenght			Temperature		Belt weight [kg/m ²]
	Straight		Curve	°C [min.]	°C [max.]	
	kg/m[BW]	N/m[BW]				
Polypropylene	1545	15450	-	1	100	5.2
Polyethylene	1470	14700	-	-60	60	6.0
Acetal	1650	16500	-	-40	80	7.5
Nylon	1565	15650	-	1	180	7.0

BW - belt width

COLOR TABLE

Polypropylene					Polyethylene					Acetal					Nylon				
W	G	N	DB	B	W	G	N	DB	B	W	G	N	DB	B	W	G	N	DB	B
●	●						●			●						●			

W - White, G - Grey, N - Nature, DB - Dark brown, B-Blue



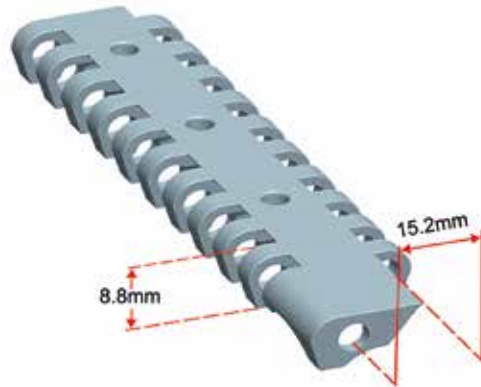
SPROCKET DIMENSIONS

No. teeth	PD [mm]	S [mm]	D [mm]	H [mm]	K [mm]
12	58.5	25.5	-	22.5	-
16	78	38.5/40.5	30.5/45.5	25	8x8
24	116	38.5/40.5	48.5	40	8x8
32	155	38.5/40.5	-	40	-

HS-1100AB-N

86

Pitch	15.2 mm
Minimum width	152 mm
Open area	3%
Approved	FDA
Rod	Ø 5.0 mm
Flight	No
Side guard	No
Curve	No



DATA

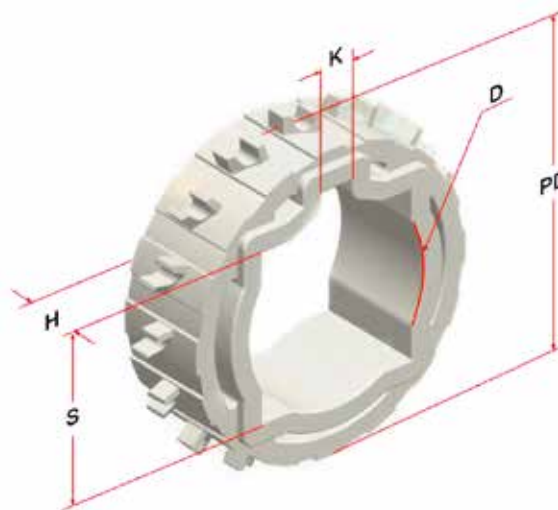
Belt material	Belt strength			Temperature		Belt weight [kg/m ²]
	Straight		Curve	°C [min.]	°C [max.]	
	kg/m[BW]	N/m[BW]				
Polypropylene	1545	15450	-	1	100	5.2
Polyethylene	1470	14700	-	-60	60	6.0
Acetal	1650	16500	-	-40	80	7.5
Nylon	1565	15650	-	1	180	7.0

BW - belt width

COLOR TABLE

Polypropylene					Polyethylene					Acetal					Nylon				
W	G	N	DB	B	W	G	N	DB	B	W	G	N	DB	B	W	G	N	DB	B
●	●						●			●						●			

W - White, G - Grey, N - Nature, DB - Dark brown, B-Blue

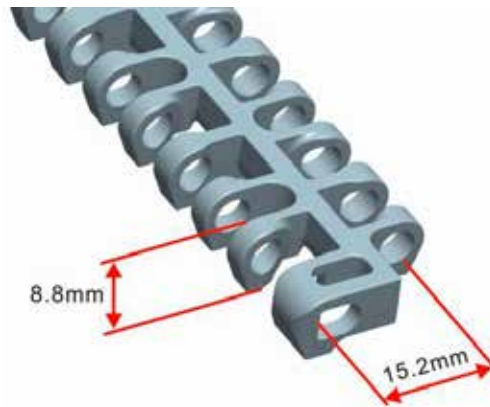


SPROCKET DIMENSIONS

No. teeth	PD [mm]	S [mm]	D [mm]	H [mm]	K [mm]
12	58.5	25.5	-	22.5	-
16	78	38.5/40.5	30.5/45.5	25	8x8
24	116	38.5/40.5	48.5	40	8x8
32	155	38.5/40.5	-	40	-

HS-1100B-N

Pitch	15.2 mm
Minimum width	152 mm
Open area	28%
Approved	FDA
Rod	Ø 5.0 mm
Flight	No
Side guard	No
Curve	No



DATA

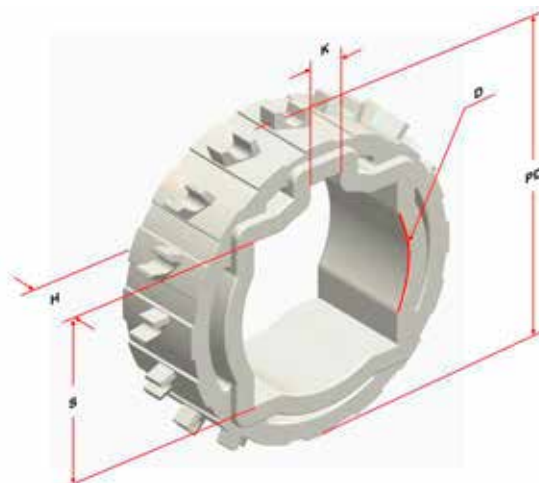
Belt material	Belt strenght			Temperature		Belt weight [kg/m ²]
	Straight		Curve	°C [min.]	°C [max.]	
	kg/m[BW]	N/m[BW]				
Polypropylene	1545	15450	-	1	100	5.1
Polyethylene	1470	14700	-	-60	60	5.9
Acetal	1650	16500	-	-40	80	7.4
Nylon	1565	15650	-	1	180	6.9

BW - belt width

COLOR TABLE

Polypropylene					Polyethylene					Acetal					Nylon				
W	G	N	DB	B	W	G	N	DB	B	W	G	N	DB	B	W	G	N	DB	B
●	●						●			●						●			

W - White, G - Grey, N - Nature, DB - Dark brown, B-Blue

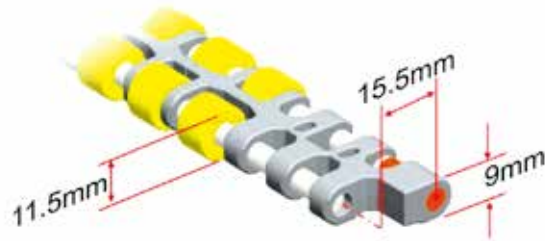


SPROCKET DIMENSIONS

No. teeth	PD [mm]	S [mm]	D [mm]	H [mm]	K [mm]
12	58.5	25.5	-	22.5	-
16	78	38.5/40.5	30.5/45.5	25	8x8
24	116	38.5/40.5	48.5	40	8x8
32	155	38.5/40.5	-	40	-

HS-1100C

Pitch	15.5 mm
Minimum width	207 mm
Open area	10%
Approved	FDA
Rod	Ø 5 mm
Flight	No
Side guard	No
Curve	No



DATA

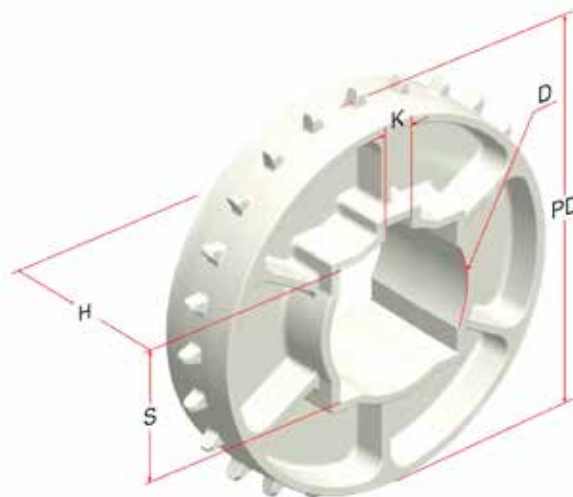
Belt material	Belt strength			Temperature		Belt weight [kg/m ²]
	Straight		Curve	°C [min.]	°C [max.]	
	kg/m[BW]	N/m[BW]				
Polypropylene	1580	15800	-	1	100	8.8
Acetal	1725	17250	-	-40	80	11.8

BW - belt width

COLOR TABLE

Polypropylene					Polyethylene					Acetal					Nylon				
W	G	N	DB	B	W	G	N	DB	B	W	G	N	DB	B	W	G	N	DB	B
●	●									●				●					

W - White, G - Grey, N - Nature, DB - Dark brown, B-Blue

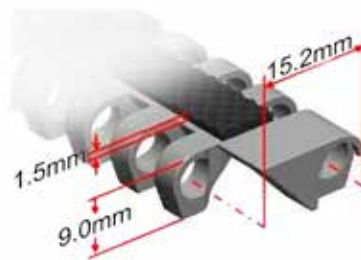


SPROCKET DIMENSIONS

No. teeth	PD [mm]	S [mm]	D [mm]	H [mm]	K [mm]
12	58.5	-	25	22.5	8x8
16	78	38.5/40.5	25	25	8x8
24	116	38.5/40.5	45.5	40	8x8
32	155	40.5	47.5	40	8x8

HS-1100EL

Pitch	15.2 mm
Minimum width	212 mm
Open area	30%
Approved	FDA
Rod	Ø 5 mm
Flight	No
Side guard	No
Curve	No



DATA

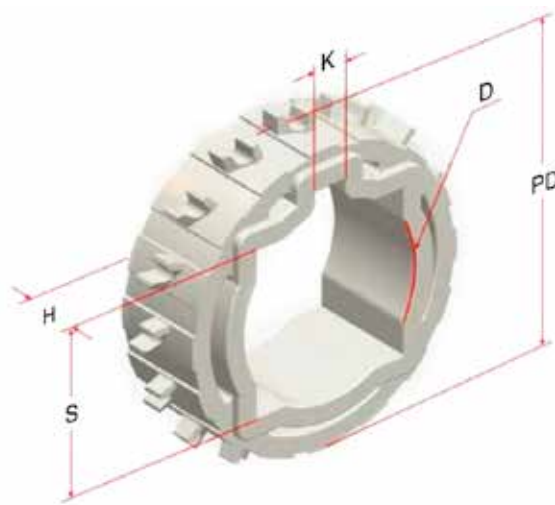
Belt material	Belt strenght			Temperature		Belt weight
	Straight		Curve	°C [min.]	°C [max.]	[kg/m ²]
	kg/m[BW]	N/m[BW]				
Polypropylene	1545	15450	-	1	70	6.0

BW - belt width

COLOR TABLE

Polypropylene					Polyethylene					Acetal					Nylon				
W	G	N	DB	B	W	G	N	DB	B	W	G	N	DB	B	W	G	N	DB	B
●	●																		

W - White, G - Grey, N - Nature, DB - Dark brown, B-Blue

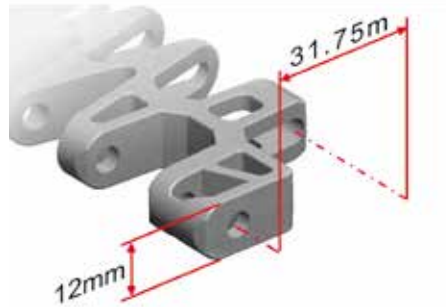


SPROCKET DIMENSIONS

No. teeth	PD [mm]	S [mm]	D [mm]	H [mm]	K [mm]
12	58.5	38.5/40.5	-	22.5	8x8
16	78	38.5/40.5	45.5	25	8x8
24	116	38.5/40.5	47.5	40	8X8
32	155	38.5/40.5	-	40	-

HS-1200B

Pitch	31.75 mm
Minimum width	209 mm
Open area	40%
Approved	FDA
Rod	Ø 5 mm
Flight	No
Side guard	No
Curve	Yes



DATA

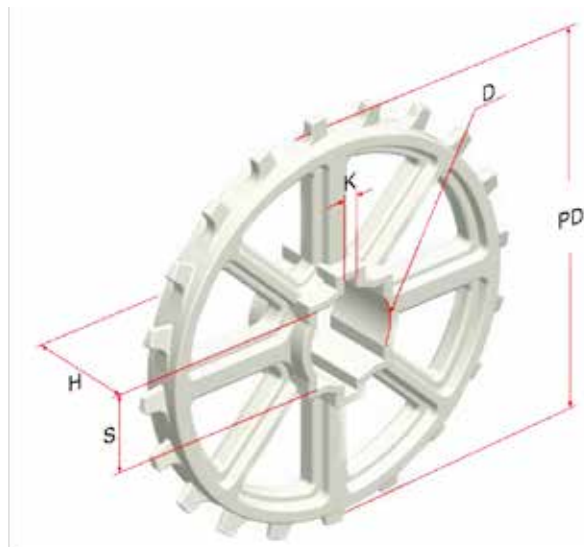
Belt material	Belt strenght				Temperature		Belt weight [kg/m ²]
	Straight		Curve		°C [min.]	°C [max.]	
	kg/m[BW]	N/m[BW]	kg/m[BW]	N/m[BW]			
Polypropylene	1780	17800	178	1780	1	100	5.2
Polyethylene	1480	14800	148	1480	-60	60	5.5
Acetal	2200	22000	220	2200	-40	80	7.6

BW - belt width

COLOR TABLE

Polypropylene					Polyethylene					Acetal					Nylon				
W	G	N	DB	B	W	G	N	DB	B	W	G	N	DB	B	W	G	N	DB	B
●	●						●			●			●	●					

W - White, G - Grey, N - Nature, DB - Dark brown, B-Blue

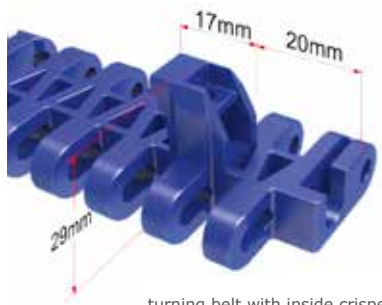
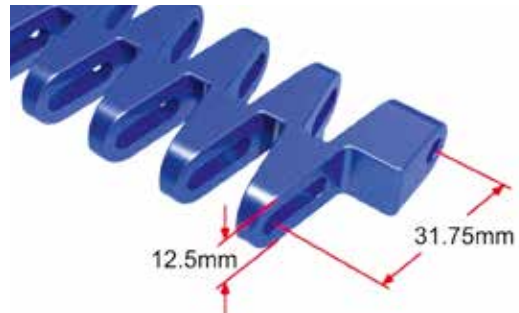


SPROCKET DIMENSIONS

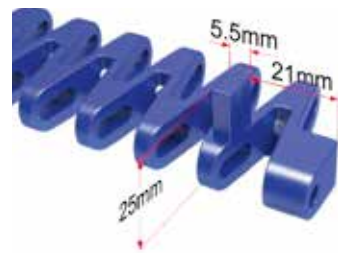
No. teeth	PD [mm]	S [mm]	D [mm]	H [mm]	K [mm]
12	122	38.5/40.5	-	38	-
16	168.4	38.5/40.5	-	30	-

HS-1201B

Pitch	31.75 mm
Minimum width	255 mm
Open area	36%
Approved	FDA
Rod	∅ 5 mm
Flight	No
Side guard	No
Curve	Yes



turning belt with inside crispering



turning belt with outside crispering

DATA

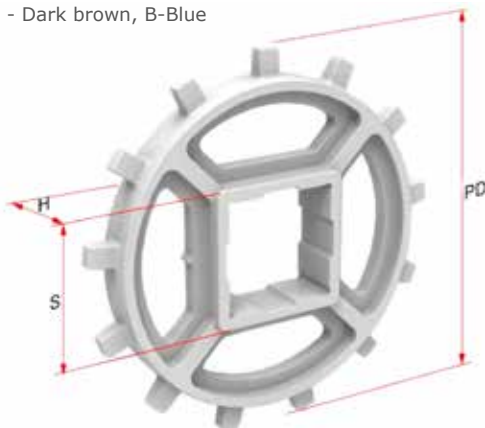
Belt material	Belt strenght				Temperature		Belt weight [kg/m ²]
	Straight		Curve		°C [min.]	°C [max.]	
	kg/m[BW]	N/m[BW]	kg/m[BW]	N/m[BW]			
Polypropylene	1100	11000	120	1200	1	100	5.2
Polyethylene	1100	11000	120	1200	-60	60	5.5
Acetal	2200	22000	200	2000	-40	80	8.0

BW - belt width

COLOR TABLE

Polypropylene					Polyethylene					Acetal					Nylon				
W	G	N	DB	B	W	G	N	DB	B	W	G	N	DB	B	W	G	N	DB	B
●	●						●			●				●					

W - White, G - Grey, N - Nature, DB - Dark brown, B-Blue



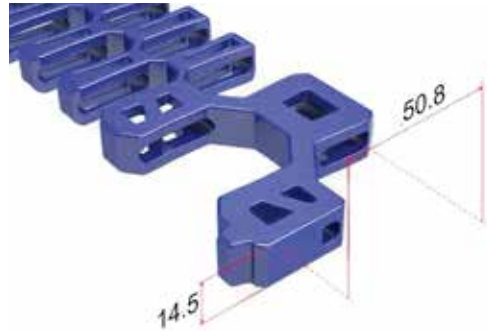
SPROCKET DIMENSIONS

No. teeth	PD [mm]	S [mm]	D [mm]	H [mm]	K [mm]
10	102.7	30.3	-	20	-
13	132.6	40.3	-	20	-
16	162.7	40.3	-	25	-

HS-1400B

92

Pitch	50.8 mm
Minimum width	253 mm
Open area	63%
Approved	FDA
Rod	Ø 8 mm stainless steel
Flight	No
Side guard	No
Curve	Yes



DATA

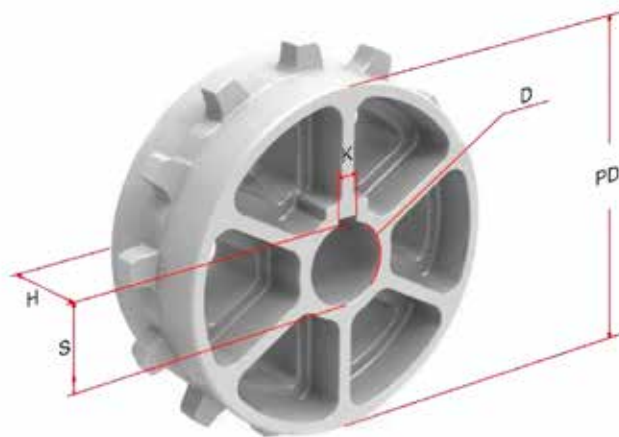
Belt material	Belt strenght				Temperature		Belt weight [kg/m ²]
	Straight		Curve		°C [min.]	°C [max.]	
	kg/m[BW]	N/m[BW]	kg/m[BW]	N/m[BW]			
Acetal	680	6800	340	3400	-40	80	8.7

BW - belt width
On request: PP, PE.

COLOR TABLE

Polypropylene					Polyethylene					Acetal					Nylon				
W	G	N	DB	B	W	G	N	DB	B	W	G	N	DB	B	W	G	N	DB	B
●	●						●			●			●	●					

W - White, G - Grey, N - Nature, DB - Dark brown, B-Blue

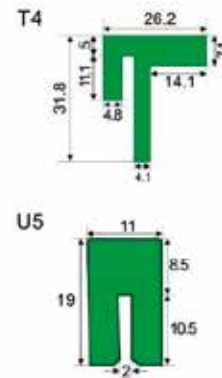
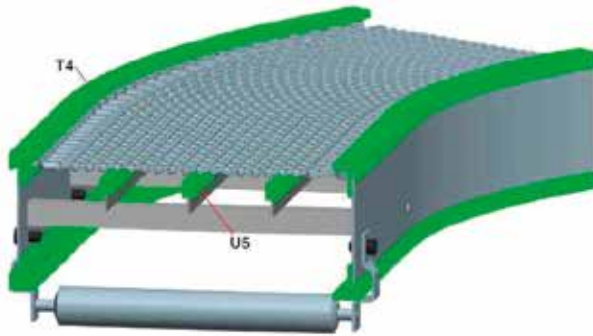


SPROCKET DIMENSIONS

No. teeth	PD [mm]	S [mm]	D [mm]	H [mm]	K [mm]
13	212	38.5/40.5	45	76.2	12x8

HS-1400B

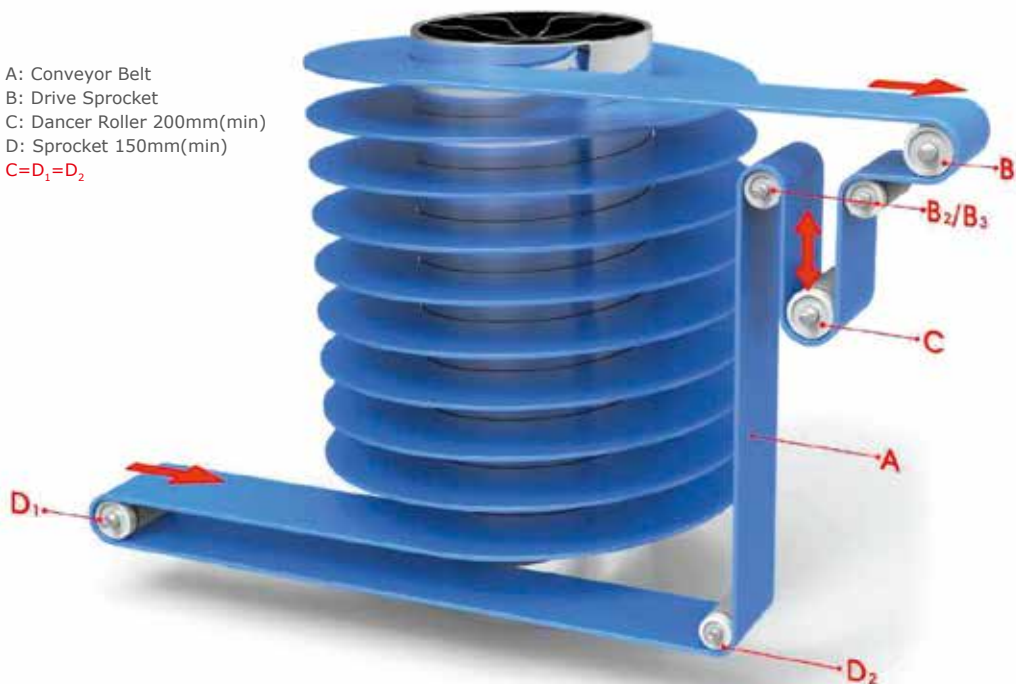
Guide Rail & Wear Strips



- We have different kinds of guide rail and wear strips for your choice; for more information, please consult our sales team.

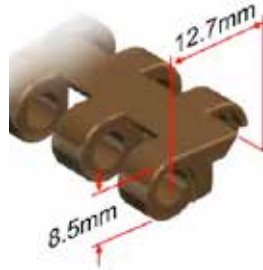


- A: Conveyor Belt
- B: Drive Sprocket
- C: Dancer Roller 200mm(min)
- D: Sprocket 150mm(min)
- $C=D_1=D_2$



HS-1500A

Pitch	12.7 mm
Minimum width	208 mm
Open area	0%
Approved	FDA
Rod	Ø 4.5 mm
Flight	No
Side guard	No
Curve	No



DATA

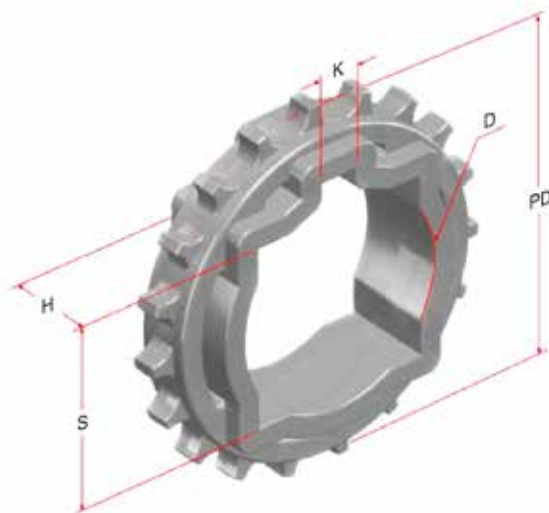
Belt material	Belt strenght			Temperature		Belt weight [kg/m ²]
	Straight		Curve	°C [min.]	°C [max.]	
	kg/m[BW]	N/m[BW]				
Polypropylene	1020	10200	-	1	100	4.0
Polyethylene	860	8600	-	-60	60	4.3
Acetal	1650	16500	-	-40	80	6.9
Nylon	1520	15200	-	1	180	5.8

BW - belt width

COLOR TABLE

Polypropylene					Polyethylene					Acetal					Nylon				
W	G	N	DB	B	W	G	N	DB	B	W	G	N	DB	B	W	G	N	DB	B
●	●						●			●			●	●				●	

W - White, G - Grey, N - Nature, DB - Dark brown, B-Blue

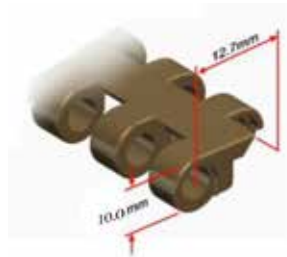


SPROCKET DIMENSIONS

No. teeth	PD [mm]	S [mm]	D [mm]	H [mm]	K [mm]
10	41.7	-	20/25	12	6x6
19	77.5	38.5/40.5	25/30.5	20	8x8
24	100.9	38.5/40.5	25.4	30	8x8
28	114.2	38.5/40.5	25/42.5	30	8x8

HS-1500A-HD

Pitch	12.7 mm
Minimum width	205.5 mm
Open area	0%
Approved	FDA
Rod	Ø 4.5 mm
Flight	No
Side guard	No
Curve	No



DATA

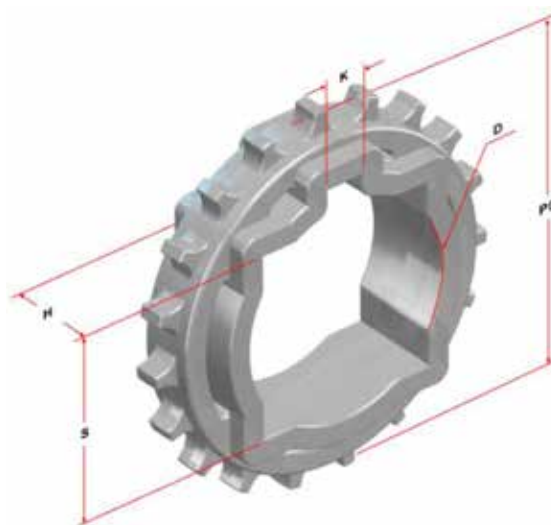
Belt material	Belt strength			Temperature		Belt weight [kg/m ²]
	Straight		Curve	°C [min.]	°C [max.]	
	kg/m[BW]	N/m[BW]				
Polypropylene	1020	10200	-	1	100	4.0
Polyethylene	860	8600	-	-60	60	4.3
Acetal	1650	16500	-	-40	80	6.9
Nylon	1520	15200	-	1	180	5.8

BW - belt width

COLOR TABLE

Polypropylene					Polyethylene					Acetal					Nylon				
W	G	N	DB	B	W	G	N	DB	B	W	G	N	DB	B	W	G	N	DB	B
●	●						●			●			●	●				●	

W - White, G - Grey, N - Nature, DB - Dark brown, B-Blue



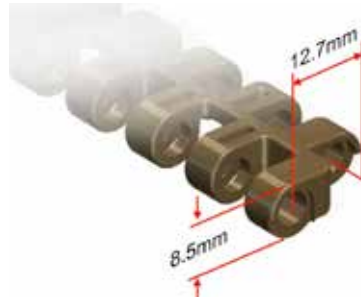
SPROCKET DIMENSIONS

No. teeth	PD [mm]	S [mm]	D [mm]	H [mm]	K [mm]
10	41.7	-	20/25	12	6x6
19	77.5	38.5/40.5	25/30.5	20	8x8
24	100.9	38.5/40.5	25.4	30	8x8
28	114.2	38.5/40.5	25/42.5	30	8x8

HS-1500B

96

Pitch	12.7 mm
Minimum width	208 mm
Open area	19%
Approved	FDA
Rod	Ø 4.5 mm
Flight	No
Side guard	No
Curve	No



DATA

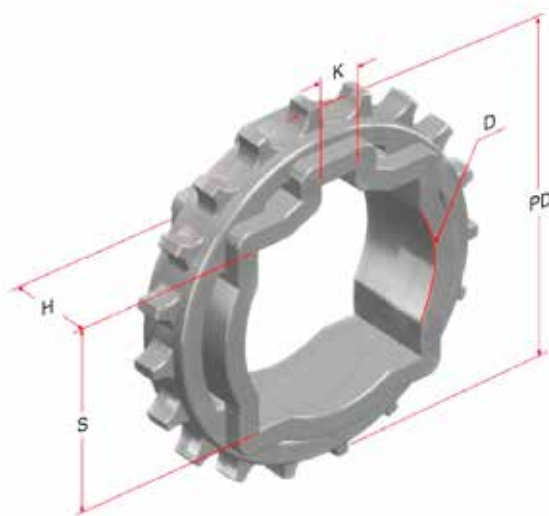
Belt material	Belt strength			Temperature		Belt weight [kg/m ²]
	Straight		Curve	°C [min.]	°C [max.]	
	kg/m[BW]	N/m[BW]				
Polypropylene	1020	10200	-	1	100	3.9
Polyethylene	860	8600	-	-60	60	4.2
Acetal	1650	16500	-	-40	80	6.8
Nylon	1520	15200	-	1	180	5.7

BW - belt width

COLOR TABLE

Polypropylene					Polyethylene					Acetal					Nylon				
W	G	N	DB	B	W	G	N	DB	B	W	G	N	DB	B	W	G	N	DB	B
●	●						●			●			●	●				●	

W - White, G - Grey, N - Nature, DB - Dark brown, B-Blue

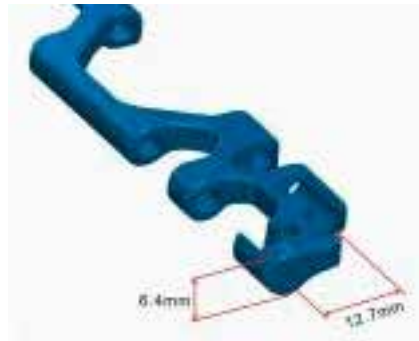


SPROCKET DIMENSIONS

No. teeth	PD [mm]	S [mm]	D [mm]	H [mm]	K [mm]
10	41.7	-	20/25	12	6x6
19	77.5	38.5/40.5	25/30.5	20	8x8
24	100.9	38.5/40.5	25.4	30	8x8
28	114.2	38.5/40.5	25/42.5	30	8x8

HS-1500B-N

Pitch	12.7 mm
Minimum width	208 mm
Open area	53%
Approved	FDA
Rod	Ø 4.5 mm
Flight	No
Side guard	No
Curve	No



DATA

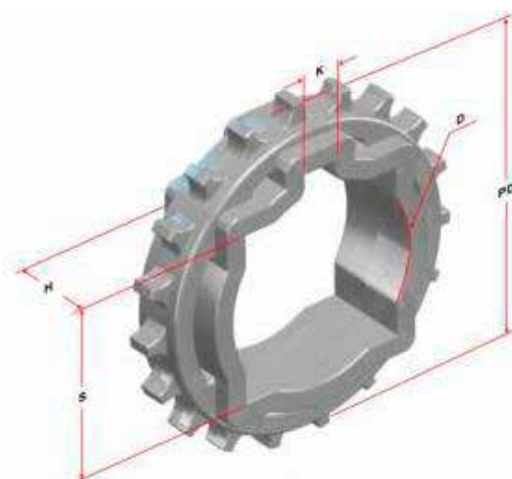
Belt material	Belt strenght			Temperature		Belt weight [kg/m ²]
	Straight		Curve	°C [min.]	°C [max.]	
	kg/m[BW]	N/m[BW]				
Polypropylene	1020	10200	-	1	100	3.9
Polyethylene	860	8600	-	-60	60	4.2
Acetal	1650	16500	-	-40	80	6.8
Nylon	1520	15200	-	1	180	5.7

BW - belt width

COLOR TABLE

Polypropylene					Polyethylene					Acetal					Nylon				
W	G	N	DB	B	W	G	N	DB	B	W	G	N	DB	B	W	G	N	DB	B
●	●						●			●			●	●				●	

W - White, G - Grey, N - Nature, DB - Dark brown, B-Blue

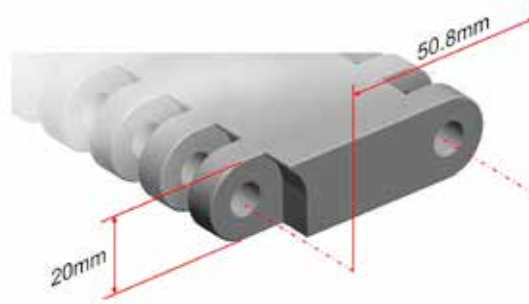


SPROCKET DIMENSIONS

No. teeth	PD [mm]	S [mm]	D [mm]	H [mm]	K [mm]
10	41	16.2	-	17	-
12	48	25.6	25.6	17	6.4x3.2
14	58	25.4	31.75	19	8x8
17	69	-	35	19	8.8
19	79	38.1	35	19	8.8
24	97	38.1	25.4	19	6.4x3.2

HS-1600A

Pitch	50.8 mm
Minimum width	150 mm
Open area	0%
Approved	FDA
Rod	Ø 10 mm
Flight	No
Side guard	No
Curve	No



DATA

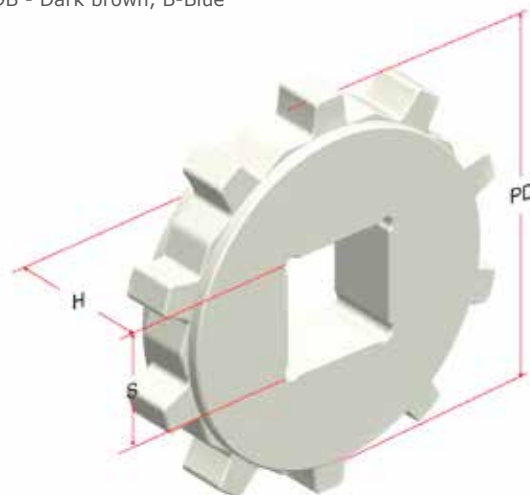
Belt material	Belt strenght			Temperature		Belt weight
	Straight		Curve	°C [min.]	°C [max.]	[kg/m ²]
	kg/m[BW]	N/m[BW]				
PP+AS	3000	30000	-	1	104	15.0
Acetal	5000	50000	-	-40	80	21.3
Acetal+AS	5000	50000	-	-40	90	21.3

BW - belt width
AS - Anti-Static

COLOR TABLE

Polypropylene					Polyethylene					Acetal					Nylon				
W	G	N	DB	B	W	G	N	DB	B	W	G	N	DB	B	W	G	N	DB	B
●	●									●				●					

W - White, G - Grey, N - Nature, DB - Dark brown, B-Blue

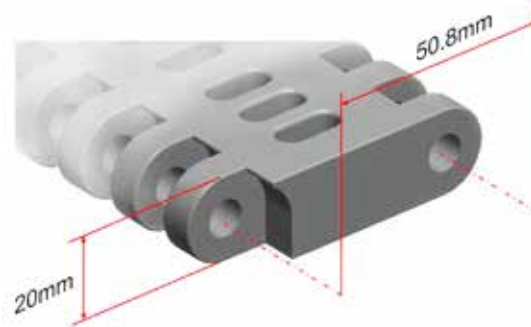


SPROCKET DIMENSIONS

No. teeth	PD [mm]	S [mm]	D [mm]	H [mm]	K [mm]
12	196	60.5	-	45	-
15	244	60.5	-	45	-
18	293	90.5	-	45	-

HS-1600B

Pitch	50.8 mm
Minimum width	150 mm
Open area	11%
Approved	FDA
Rod	Ø 10 mm
Flight	No
Side guard	No
Curve	No



DATA

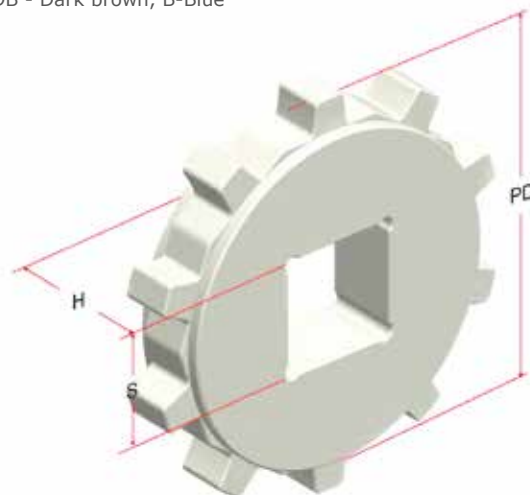
Belt material	Belt strenght			Temperature		Belt weight
	Straight		Curve	°C [min.]	°C [max.]	[kg/m ²]
	kg/m[BW]	N/m[BW]				
PP+AS	3000	30000	-	1	104	14
Acetal	5000	50000	-	-40	80	19
Acetal+AS	5000	50000	-	-40	90	19

BW - belt width
AS - Anti-Static

COLOR TABLE

Polypropylene					Polyethylene					Acetal					Nylon				
W	G	N	DB	B	W	G	N	DB	B	W	G	N	DB	B	W	G	N	DB	B
●	●									●				●					

W - White, G - Grey, N - Nature, DB - Dark brown, B-Blue

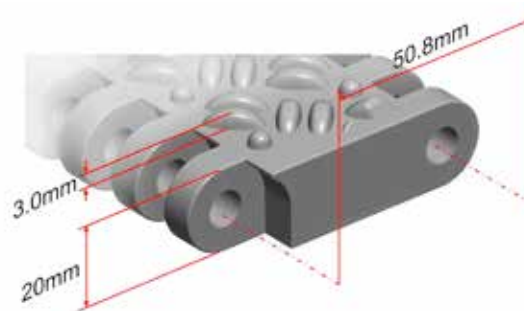


SPROCKET DIMENSIONS

No. teeth	PD [mm]	S [mm]	D [mm]	H [mm]	K [mm]
12	196	60.5	-	45	-
15	244	60.5	-	45	-
18	293	90.5	-	45	-

HS-1600D

Pitch	50.8 mm
Minimum width	150 mm
Open area	0%
Approved	FDA
Rod	Ø 10 mm
Flight	No
Side guard	No
Curve	No



DATA

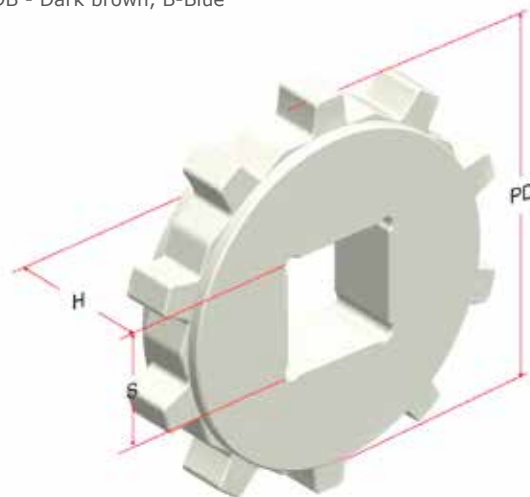
Belt material	Belt strength			Temperature		Belt weight [kg/m ²]
	Straight		Curve	°C [min.]	°C [max.]	
	kg/m[BW]	N/m[BW]				
PP+AS	3000	30000	-	1	104	15.2
Acetal	5000	50000	-	-40	80	21.5
Acetal+AS	5000	50000	-	-40	90	21.5

BW - belt width
AS - Anti-Static

COLOR TABLE

Polypropylene					Polyethylene					Acetal					Nylon				
W	G	N	DB	B	W	G	N	DB	B	W	G	N	DB	B	W	G	N	DB	B
●	●									●				●					

W - White, G - Grey, N - Nature, DB - Dark brown, B-Blue

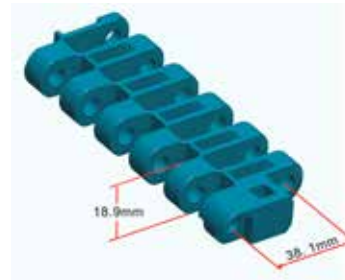


SPROCKET DIMENSIONS

No. teeth	PD [mm]	S [mm]	D [mm]	H [mm]	K [mm]
12	196	60.5	-	45	-
15	244	60.5	-	45	-
18	293	90.5	-	45	-

HS-1700B

Pitch	38.1 mm
Minimum width	250 mm
Open area	37%
Approved	FDA
Rod	Ø 8 mm
Flight	No
Side guard	No
Curve	No



DATA

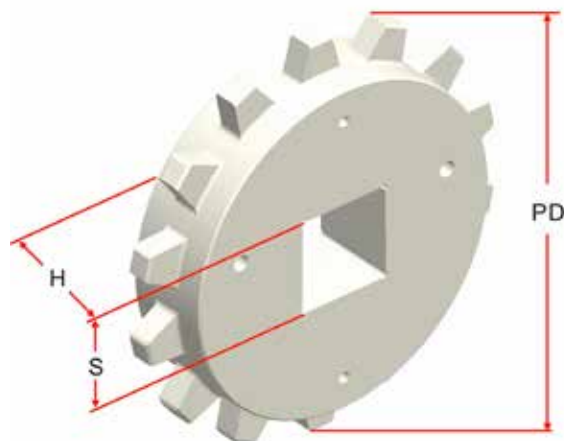
Belt material	Belt strenght			Temperature		Belt weight [kg/m ²]
	Straight		Curve	°C [min.]	°C [max.]	
	kg/m[BW]	N/m[BW]				
PP+AS	3000	30000	-	1	104	15.0
Acetal	5000	50000	-	-40	80	21.3
Acetal+AS	5000	50000	-	-40	90	21.3

BW – Belt Width AS - Anti-Static

COLOR TABLE

Polypropylene					Polyethylene					Acetal					Nylon				
W	G	N	DB	B	W	G	N	DB	B	W	G	N	DB	B	W	G	N	DB	B
●	●									●				●					

W - White, G - Grey, N - Nature, DB - Dark brown, B-Blue



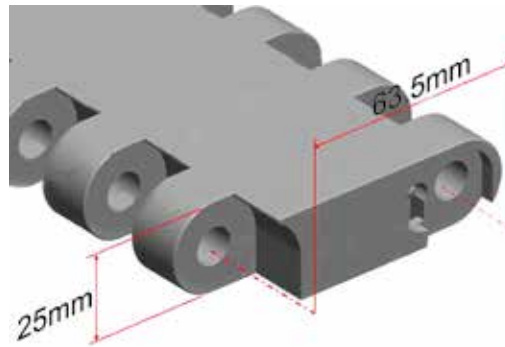
SPROCKET DIMENSIONS

No. teeth	PD [mm]	S [mm]	D [mm]	H [mm]	K [mm]
14	172	40.5	-	-	-

HS-1800A

102

Pitch	63.5 mm
Minimum width	200 mm
Open area	0%
Approved	FDA
Rod	Ø 10 mm stainless steel
Flight	No
Side guard	No
Curve	No



DATA

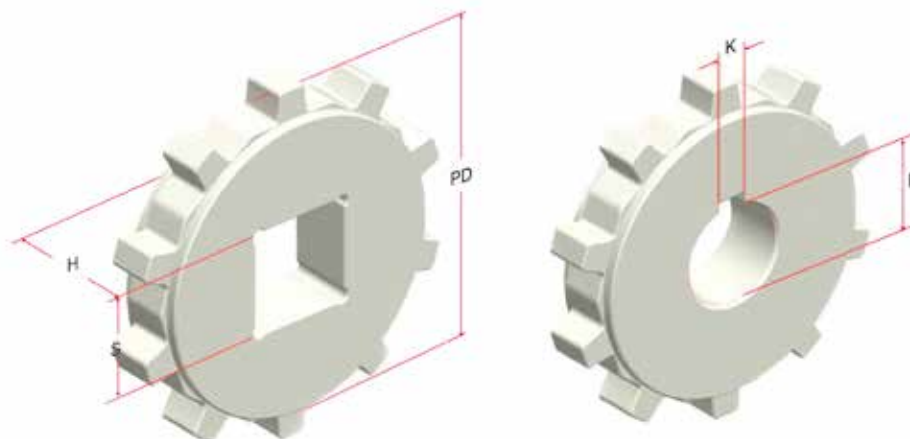
Belt material	Belt strength			Temperature		Belt weight [kg/m ²]
	Straight		Curve	°C [min.]	°C [max.]	
	kg/m[BW]	N/m[BW]				
Acetal	10000	100000	-	-40	80	33.3
Acetal+AS	10000	100000	-	-40	85	33.3

BW - belt width
AS - Anti-Static

COLOR TABLE

Polypropylene					Polyethylene					Acetal					Nylon				
W	G	N	DB	B	W	G	N	DB	B	W	G	N	DB	BL	W	G	N	DB	B
										●				●					

W - White, G - Grey, N - Nature, DB - Dark brown, B-Blue, BL - Black



SPROCKET DIMENSIONS

No. teeth	PD [mm]	S [mm]	D [mm]	H [mm]	K [mm]
10	205	60.5	-	36	-
13	265	63.5/80.5	-	36	-
15	305	90.5	-	36	-

The above sprockets are standard, and it also can be customized according to customer's request, including the teeth number of sprocket and the size of square bore.

HS-1800A-100

Pitch	63.5mm
Minimum width	100 mm
Open area	0%
Approved	FDA
Rod	Ø 10 mm stainless steel
Flight	No
Side guard	No
Curve	No



DATA

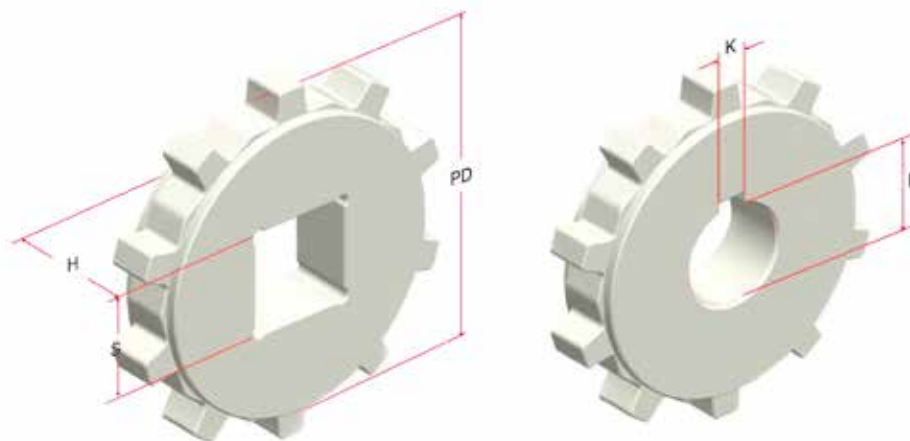
Belt material	Belt strenght			Temperature		Belt weight
	Straight		Curve	°C [min.]	°C [max.]	[kg/m ²]
	kg/m[BW]	N/m[BW]				
Acetal	10000	100000	-	-40	80	33.3
Acetal+AS	10000	100000	-	-40	85	33.3

BW - belt width
AS - Anti-Static

COLOR TABLE

Polypropylene					Polyethylene					Acetal					Nylon				
W	G	N	DB	B	W	G	N	DB	B	W	G	N	DB	BL	W	G	N	DB	B
										●				●					

W - White, G - Grey, N - Nature, DB - Dark brown, B-Blue, BL - Black



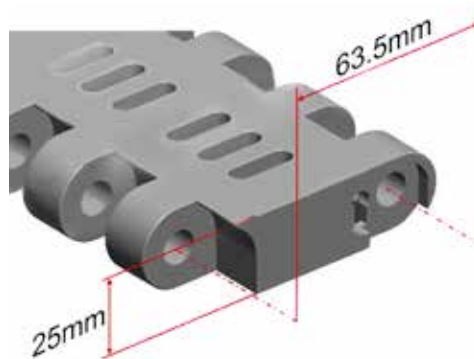
SPROCKET DIMENSIONS

No. teeth	PD [mm]	S [mm]	D [mm]	H [mm]	K [mm]
10	205	60.5	-	36	-
13	265	63.5/80.5	-	36	-
15	305	90.5	-	36	-

The above sprockets are standard, and it also can be customized according to customer's request, including the teeth number of sprocket and the size of square bore.

HS-1800B

Pitch	63.5 mm
Minimum width	200 mm
Open area	10%
Approved	FDA
Rod	Ø 10 mm stainless steel
Flight	No
Side guard	No
Curve	No



DATA

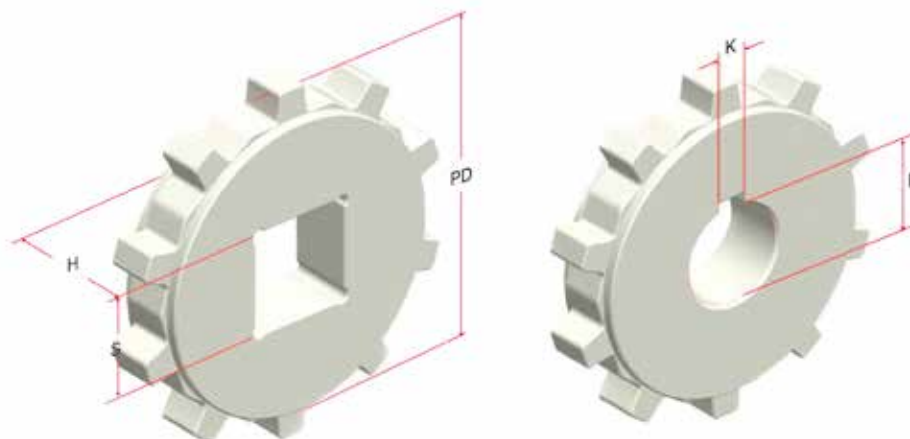
Belt material	Belt strenght			Temperature		Belt weight
	Straight		Curve	°C [min.]	°C [max.]	[kg/m ²]
	kg/m[BW]	N/m[BW]				
Acetal	10000	100000	-	-40	80	33.3
Acetal+AS	10000	100000	-	-40	85	33.3

BW - belt width
AS - Anti-Static

COLOR TABLE

Polypropylene					Polyethylene					Acetal					Nylon				
W	G	N	DB	B	W	G	N	DB	B	W	G	N	DB	BL	W	G	N	DB	B
										●				●					

W - White, G - Grey, N - Nature, DB - Dark brown, B-Blue, BL - Black



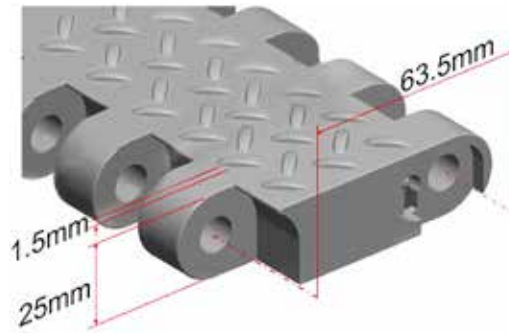
SPROCKET DIMENSIONS

No. teeth	PD [mm]	S [mm]	D [mm]	H [mm]	K [mm]
10	205	60.5	-	36	-
13	265	63.5/80.5	-	36	-
15	305	90.5	-	36	-

The above sprockets are standard, and it also can be customized according to customer's request, including the teeth number of sprocket and the size of square bore.

HS-1800D

Pitch	63.5 mm
Minimum width	200 mm
Open area	0%
Approved	FDA
Rod	Ø 10 mm stainless steel
Flight	No
Side guard	No
Curve	No



DATA

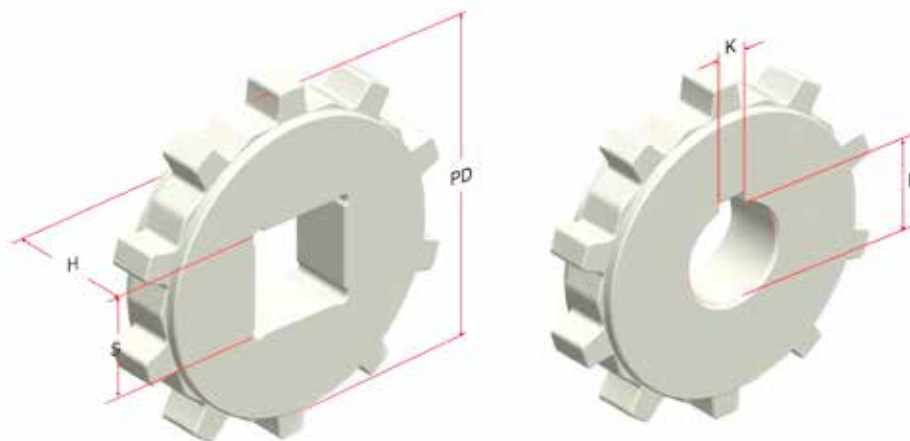
Belt material	Belt strenght			Temperature		Belt weight
	Straight		Curve	°C [min.]	°C [max.]	[kg/m ²]
	kg/m[BW]	N/m[BW]				
Acetal	10000	100000	-	-40	80	33.3
Acetal+AS	10000	100000	-	-40	85	33.3

BW - belt width
AS - Anti-Static

COLOR TABLE

Polypropylene					Polyethylene					Acetal				Nylon					
W	G	N	DB	B	W	G	N	DB	B	W	G	N	BL	B	W	G	N	DB	B
										●			●	●					

W - White, G - Grey, N - Nature, DB - Dark brown, B-Blue, BL - Black



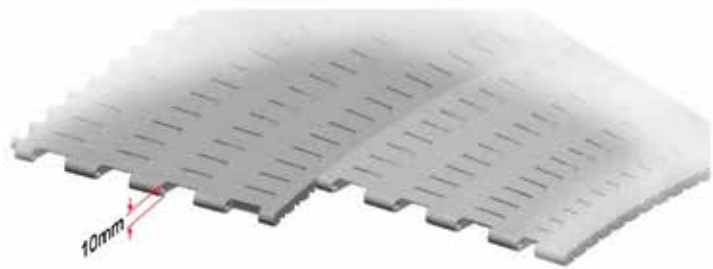
SPROCKET DIMENSIONS

No. teeth	PD [mm]	S [mm]	D [mm]	H [mm]	K [mm]
10	205	60.5	-	36	-
13	265	63.5/80.5	-	36	-
15	305	90.5	-	36	-

The above sprockets are standard, and it also can be customized according to customer's request, including the teeth number of sprocket and the size of square bore.

HS-2000A

Fixed internal radius	600 mm
Minimum width	200 mm
Open area	0%
Approved	FDA
Rod	Ø 4.5 mm
Flight	No
Side guard	No
Curve	Yes



DATA

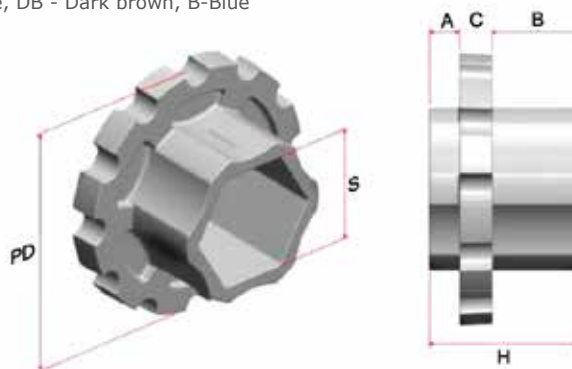
Belt material	Belt strenght		Temperature	
	Straight		°C [min.]	°C [max.]
	kg/m[BW]	N/m[BW]		
Polypropylene	1600	16000	1	100
Polyethylene	1550	15500	-60	60
Acetal	2640	26400	-40	80
Nylon	2230	22300	1	180

BW - belt width

COLOR TABLE

Polypropylene					Polyethylene					Acetal					Nylon				
W	G	N	DB	B	W	G	N	DB	B	W	G	N	DB	B	W	G	N	DB	B
●	●						●			●				●				●	

W - White, G - Grey, N - Nature, DB - Dark brown, B-Blue



SPROCKET DIMENSIONS

Belt Width	Sprocket No.	PD [mm]	S [mm]	A [mm]	B [mm]	C [mm]	H [mm]
200	1	65	41.5	35	0	11	46
	2	72		10	29		50
400	3	82		10	29		
	4	92		10	29		
600	5	101		10	29		
	6	111		10	29		
800	7	121		10	29		
	8	130		10	29		
1000	9	140		10	29		
	10	150		10	29		
1200	11	159.5		10	29		
	12	169		10	29		
1400	13	179		10	29		
	14	188.5		10	29		

HS-2500B

Pitch	25.4 mm
Minimum width	200 mm
Open area	31.7%
Approved	FDA
Rod	Ø 5 mm
Flight	No
Side guard	No
Curve	No



DATA

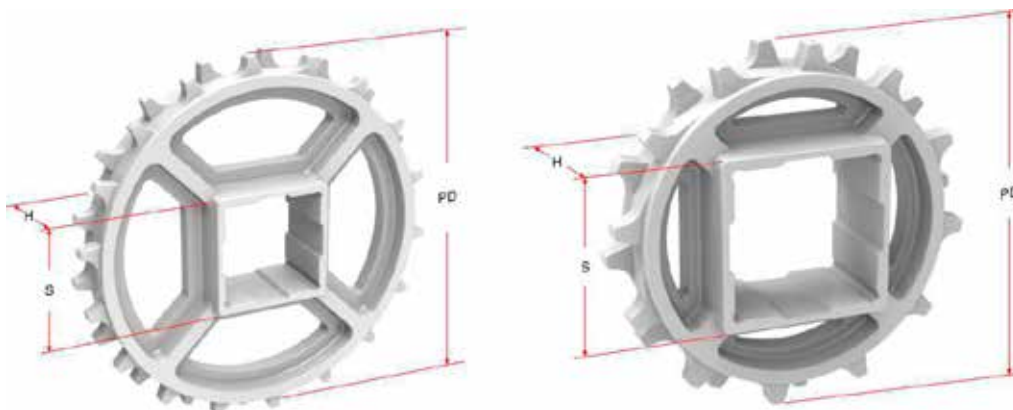
Belt material	Belt strenght			Temperature		Belt weight [kg/m ²]
	Straight		Curve	°C [min.]	°C [max.]	
	kg/m[BW]	N/m[BW]				
Polypropylene	1060	10600	-	1	110	5.15
Polyethylene	1030	10300	-	-60	60	5.41
Acetal	1720	17200	-	-40	85	8.15
Nylon	1520	15200	-	1	160	7.34

BW - belt width

COLOR TABLE

Polypropylene					Polyethylene					Acetal					Nylon				
W	G	N	DB	B	W	G	N	DB	B	W	G	N	DB	B	W	G	N	DB	B
●	●						●			●				●				●	

W - White, G - Grey, N - Nature, DB - Dark brown, B-Blue



SPROCKET DIMENSIONS

No. teeth	PD [mm]	S [mm]	D [mm]	H [mm]	K [mm]
12-2R	98	38.5/40	25.5	20	8x8
15-2R	122	38.5/40	25.5	20	8x8
18-2R	146	38.5/40	30.5	20	7x7
20	162.4	60.5	-	30	-

HS-2600B

108

Pitch	25 mm
Minimum width	182 mm
Open area	44%
Approved	FDA
Rod	Ø 4.5 mm
Flight	No
Side guard	No
Curve	No



DATA

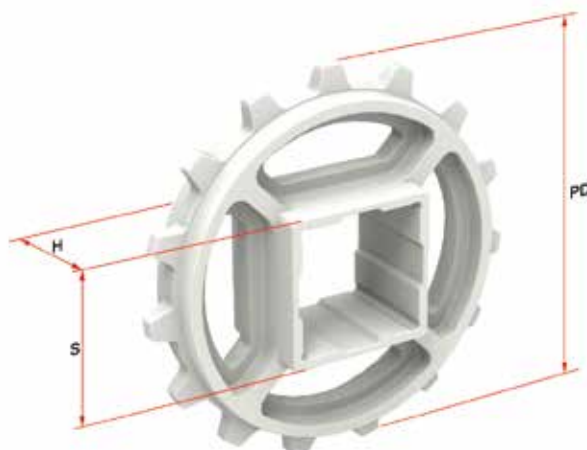
Belt material	Belt strenght			Temperature		Belt weight [kg/m ²]
	Straight		Curve	°C [min.]	°C [max.]	
	kg/m[BW]	N/m[BW]				
Polypropylene	1100	11000	-	1	100	4.8
Polyethylene	1000	10000	-	-60	60	5.1
Acetal	1580	15800	-	-40	80	9.2
Nylon	1350	13500	-	1	180	6.8

BW - belt width

COLOR TABLE

Polypropylene					Polyethylene					Acetal					Nylon				
W	G	N	DB	B	W	G	N	DB	B	W	G	N	DB	B	W	G	N	DB	B
●	●						●			●				●		●		●	

W - White, G - Grey, N - Nature, DB - Dark brown, B-Blue

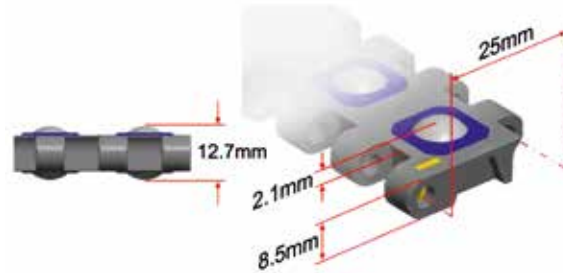


SPROCKET DIMENSIONS

No. teeth	PD [mm]	S [mm]	D [mm]	H [mm]	K [mm]
9	73	30.5	-	35	-
11	89	38.5/40.5	25.5	35	8X8
13	104	38.5/40.5	25.5	35	8X8
15	120	38.5/40.5	-	35	-

HS-2800C

Pitch	25 mm
Minimum width	179.5 mm
Open area	0%
Approved	FDA
Rod	Ø 4 mm
Flight	No
Side guard	No
Curve	No



DATA

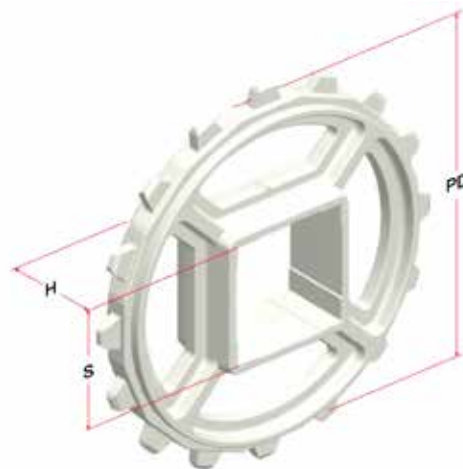
Belt material	Belt strenght			Temperature		Belt weight [kg/m ²]
	Straight		Curve	°C [min.]	°C [max.]	
	kg/m[BW]	N/m[BW]				
Polypropylene	1800	18000	-	1	100	7.2
Acetal	1950	19500	-	-40	80	9.6

BW - belt width

COLOR TABLE

Polypropylene					Polyethylene					Acetal					Nylon				
W	G	N	DB	B	W	G	N	DB	B	W	G	N	DB	B	W	G	N	DB	B
●	●									●				●					

W - White, G - Grey, N - Nature, DB - Dark brown, B-Blue



SPROCKET DIMENSIONS

No. teeth	PD [mm]	S [mm]	D [mm]	H [mm]	K [mm]
16	128	38.5/40.5	30	25	8x8
18	147	50.3	-	25	-

HS-3000B

110

Pitch	25 mm
Minimum width	100 mm
Open area	25%
Approved	FDA
Rod	Ø 5 mm
Flight	No
Side guard	No
Curve	No



DATA

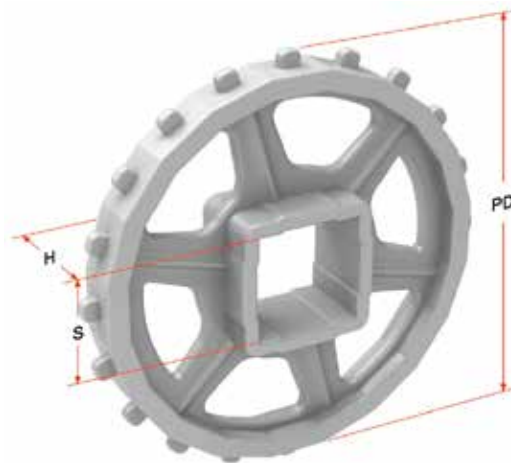
Belt material	Belt strenght				Temperature		Belt weight [kg/m ²]
	Straight		Curve		°C [min.]	°C [max.]	
	kg/m[BW]	N/m[BW]	kg/m[BW]	N/m[BW]			
Polypropylene	1010	10100	676	6760	1	100	4.0
Polyethylene	598	5980	476	4760	-60	60	4.3
Acetal	1540	15400	865	8650	-40	80	7.73

BW - belt width

COLOR TABLE

Polypropylene					Polyethylene					Acetal					Nylon				
W	G	N	DB	B	W	G	N	DB	B	W	G	N	DB	B	W	G	N	DB	B
●	●						●			●				●				●	

W - White, G - Grey, N - Nature, DB - Dark brown, B-Blue

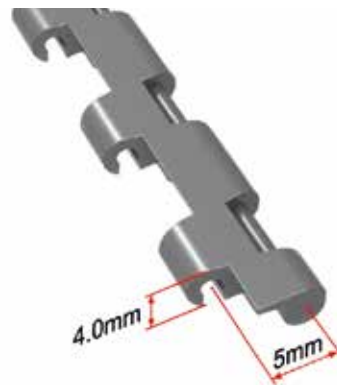


SPROCKET DIMENSIONS

No. teeth	PD [mm]	S [mm]	D [mm]	H1 [mm]	H2 [mm]	K [mm]
20	160	38.5/40.5	-	34	-	-

HS-4000A

Pitch	5 mm
Minimum width	60 mm
Open area	0%
Approved	FDA
Rod	Not
Flight	No
Side guard	No
Curve	No



DATA

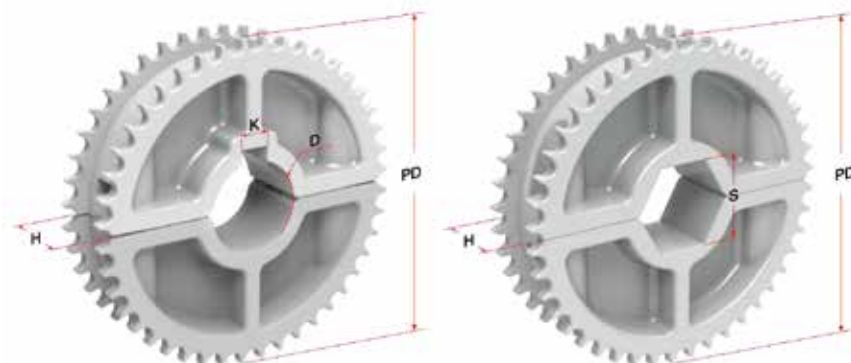
Belt material	Belt strenght			Temperature		Belt weight [kg/m ²]
	Straight		Curve	°C [min.]	°C [max.]	
	kg/m[BW]	N/m[BW]				
Acetal	250	2500	-	-40	80	3.8

BW - belt width

COLOR TABLE

Polypropylene					Polyethylene					Acetal					Nylon				
W	G	N	DB	B	W	G	N	DB	B	W	G	N	DB	B	W	G	N	DB	B

W - White, G - Grey, N - Nature, DB - Dark brown, B-Blue



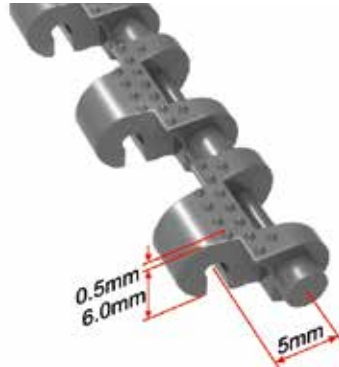
SPROCKET DIMENSIONS

No. teeth	PD [mm]	S [mm]	D [mm]	H [mm]	K [mm]
44	70	-	20	17.5	6x6

HS-4000B

112

Pitch	5 mm
Minimum width	60 mm
Open area	8%
Approved	FDA
Rod	Not
Flight	No
Side guard	No
Curve	No



DATA

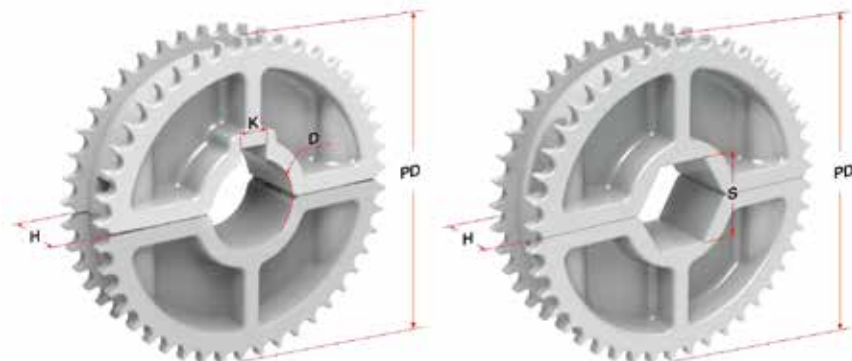
Belt material	Belt strenght			Temperature		Belt weight
	Straight		Curve	°C [min.]	°C [max.]	[kg/m ²]
	kg/m[BW]	N/m[BW]				
Acetal	250	2500	-	-40	80	5.0

BW - belt width

COLOR TABLE

Polypropylene					Polyethylene					Acetal					Nylon				
W	G	N	DB	B	W	G	N	DB	B	W	G	N	DB	B	W	G	N	DB	B
											●			●					

W - White, G - Grey, N - Nature, DB - Dark brown, B-Blue



SPROCKET DIMENSIONS

No. teeth	PD [mm]	S [mm]	D [mm]	H [mm]	K [mm]
44	70	-	20	17.5	6x6

HS-F1000-84B

Pitch	25.4 mm
Minimum width	84 mm
Open area	42%
Approved	FDA
Rod	Ø 4.5 mm
Flight	No
Side guard	No
Curve	No



DATA

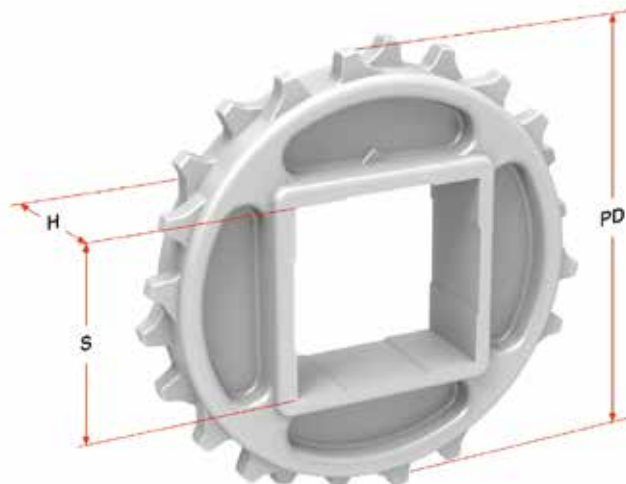
Belt material	Belt strenght			Temperature		Belt weight
	Straight		Curve	°C [min.]	°C [max.]	[kg/m ²]
	kg/m[BW]	N/m[BW]				
Acetal	2200	22000	-	1	100	0.49

BW - belt width

COLOR TABLE

Polypropylene					Polyethylene					Acetal					Nylon				
W	G	N	DB	B	W	G	N	DB	B	W	G	N	DB	B	W	G	N	DB	B
●	●																		

W - White, G - Grey, N - Nature, DB - Dark brown, B-Blue



SPROCKET DIMENSIONS

No. teeth	PD [mm]	S [mm]	D [mm]	H [mm]	K [mm]
12-2R	98	38.5/40.5	-	20	-

HS-F1000-85A

114

Pitch	25.4 mm
Minimum width	85 mm
Open area	0%
Approved	FDA
Rod	Ø 4.5 mm
Flight	No
Side guard	No
Curve	No



DATA

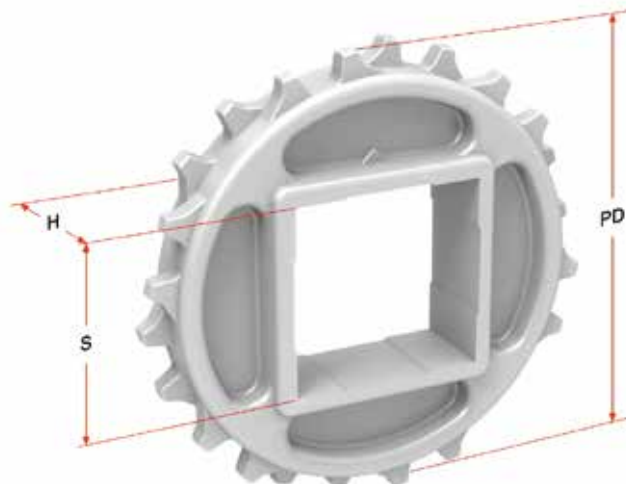
Belt material	Belt strenght			Temperature		Belt weight
	Straight		Curve	°C [min.]	°C [max.]	[kg/m ²]
	kg/m[BW]	N/m[BW]				
Acetal	2200	22000	-	1	100	0.58

BW - belt width

COLOR TABLE

Polypropylene					Polyethylene					Acetal					Nylon				
W	G	N	DB	B	W	G	N	DB	B	W	G	N	DB	B	W	G	N	DB	B
●	●																		

W - White, G - Grey, N - Nature, DB - Dark brown, B-Blue



SPROCKET DIMENSIONS

No. teeth	PD [mm]	S [mm]	D [mm]	H [mm]	K [mm]
12-2R	98	38.5/40.5	-	20	-

HS-F1000-84B-GB

Pitch	25.4 mm
Minimum width	84 mm
Open area	42%
Approved	FDA
Rod	Ø 4.5 mm
Flight	No
Side guard	No
Curve	No



DATA

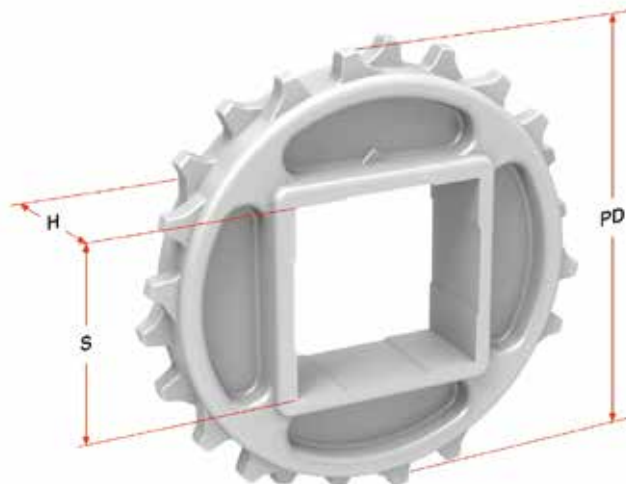
Belt material	Belt strenght			Temperature		Belt weight
	Straight		Curve	°C [min.]	°C [max.]	[kg/m ²]
	kg/m[BW]	N/m[BW]				
Acetal	2200	22000	-	1	100	0.53

BW - belt width

COLOR TABLE

Polypropylene					Polyethylene					Acetal					Nylon				
W	G	N	DB	B	W	G	N	DB	B	W	G	N	DB	B	W	G	N	DB	B
●	●																		

W - White, G - Grey, N - Nature, DB - Dark brown, B-Blue



SPROCKET DIMENSIONS

No. teeth	PD [mm]	S [mm]	D [mm]	H [mm]	K [mm]
12-2R	98	38.5/40.5	-	20	-

HS-F1000-85A-B

116

Pitch	25.4 mm
Minimum width	85 mm
Open area	1%
Approved	FDA
Rod	Ø 4.5 mm
Flight	No
Side guard	No
Curve	No



DATA

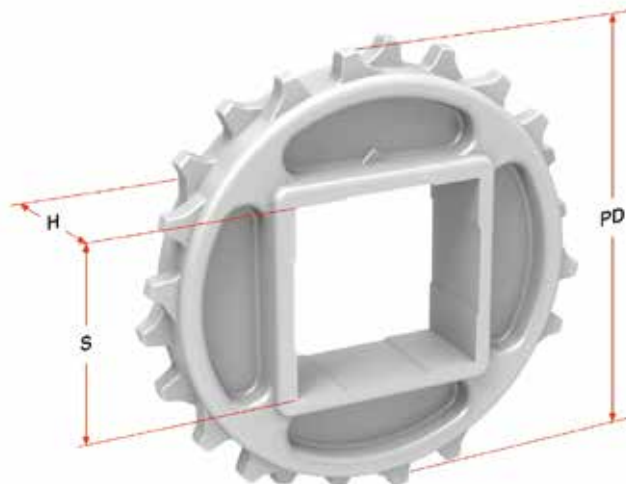
Belt material	Belt strenght			Temperature		Belt weight
	Straight		Curve	°C [min.]	°C [max.]	[kg/m ²]
	kg/m[BW]	N/m[BW]				
Acetal	2200	22000	-	1	100	0.58

BW - belt width

COLOR TABLE

Polypropylene					Polyethylene					Acetal					Nylon				
W	G	N	DB	B	W	G	N	DB	B	W	G	N	DB	B	W	G	N	DB	B
●	●																		

W - White, G - Grey, N - Nature, DB - Dark brown, B-Blue

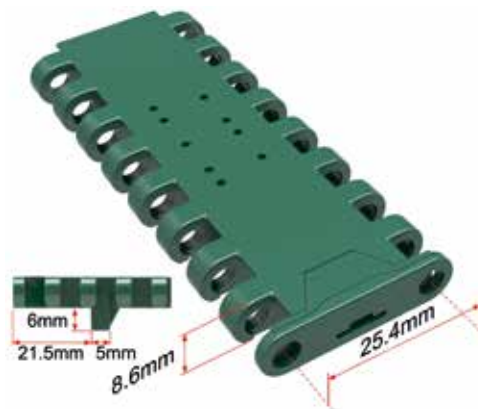


SPROCKET DIMENSIONS

No. teeth	PD [mm]	S [mm]	D [mm]	H [mm]	K [mm]
12-2R	98	38.5/40.5	-	20	-

HS-F1000-85A-B-GB

Pitch	25.4 mm
Minimum width	85 mm
Open area	1%
Approved	FDA
Rod	Ø 4.5 mm
Flight	No
Side guard	No
Curve	No



DATA

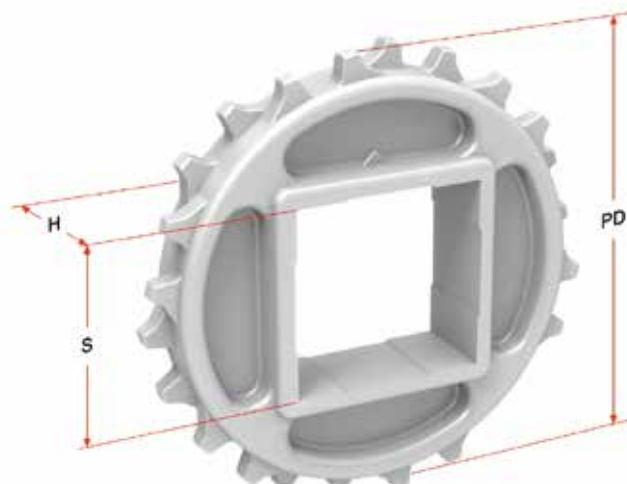
Belt material	Belt strenght			Temperature		Belt weight
	Straight		Curve	°C [min.]	°C [max.]	[kg/m ²]
	kg/m[BW]	N/m[BW]				
Acetal	2200	22000	-	1	100	0.61

BW - belt width

COLOR TABLE

Polypropylene					Polyethylene					Acetal					Nylon				
W	G	N	DB	B	W	G	N	DB	B	W	G	N	DB	B	W	G	N	DB	B
●	●																		

W - White, G - Grey, N - Nature, DB - Dark brown, B-Blue



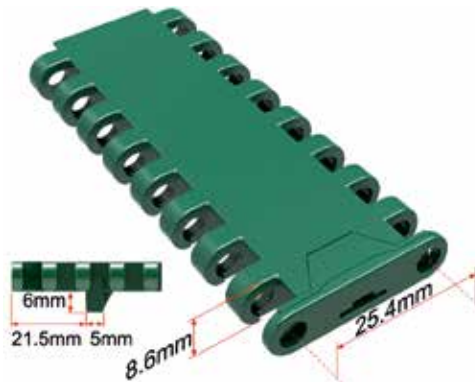
SPROCKET DIMENSIONS

No. teeth	PD [mm]	S [mm]	D [mm]	H [mm]	K [mm]
12-2R	98	38.5/40.5	-	20	-

HS-F1000-85A-GB

118

Pitch	25.4 mm
Minimum width	85 mm
Open area	0%
Approved	FDA
Rod	Ø 4.5 mm
Flight	No
Side guard	No
Curve	No



DATA

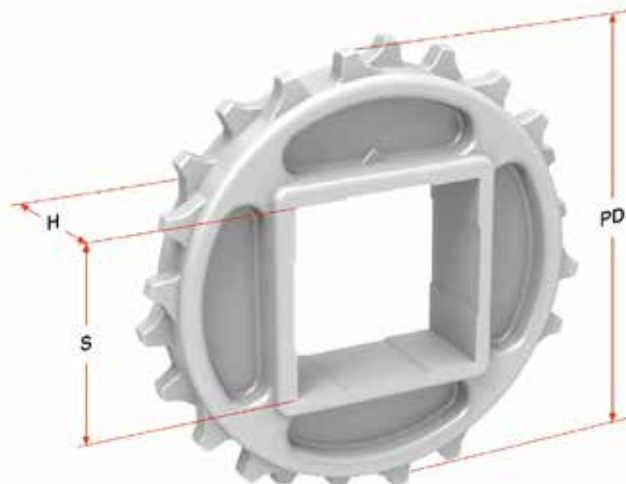
Belt material	Belt strenght			Temperature		Belt weight
	Straight		Curve	°C [min.]	°C [max.]	[kg/m ²]
	kg/m[BW]	N/m[BW]				
Acetal	2200	22000	-	1	100	0.61

BW - belt width

COLOR TABLE

Polypropylene					Polyethylene					Acetal					Nylon				
W	G	N	DB	B	W	G	N	DB	B	W	G	N	DB	B	W	G	N	DB	B
●	●																		

W - White, G - Grey, N - Nature, DB - Dark brown, B-Blue



SPROCKET DIMENSIONS

No. teeth	PD [mm]	S [mm]	D [mm]	H [mm]	K [mm]
12-2R	98	38.5/40.5	-	20	-

Width table of HS-100A/100AN/100C/100D (PP)

unit: mm

45	60	75	90											
105	120	135	149	195										
210	225	240	255	270	285									
300	315	330	345	359	374	389								
404	419	434	449	464	479	494								
509	524	539	554	569	584	599								
614	629	644	659	674	689									
704	717	732	747	762	777	792								
807	822	837	852	867	882	896								
911	926	941	956	971	986									
1001	1016	1031	1046	1061	1075	1090	1105	1120	1135	1150	1165	1180	1195	
1210	1225	1240	1254	1269	1284	1299	1314	1329	1344	1359	1374	1389		
1404	1419	1433	1448	1463	1478	1493	1508	1523	1538	1553	1569	1583	1598	
1612	1627	1642	1657	1672	1687	1702	1717	1732	1747	1762	1777	1791		
1806	1821	1836	1851	1866	1881	1896	1911	1926	1941	1956	1970	1985	2000	

Standard width of module - 149.5mm and 75mm

Width table of HS-100A/100AN/100C/100D (POM/PE)

unit: mm

45	60	74	89											
104	119	134	149	194										
209	224	239	254	269	283	298								
313	328	343	358	373	388									
403	418	432	447	462	477	492								
507	522	537	552	567	581	596								
611	626	641	656	671	686									
701	716	730	745	760	775	790								
805	820	835	850	865	879	894								
909	924	939	954	969	984	999								
1014	1028	1043	1058	1073	1088	1103	1118	1133	1148	1163	1177	1192		
1207	1222	1237	1252	1267	1282	1297	1312	1326	1341	1356	1371	1386		
1401	1416	1431	1446	1461	1475	1490	1506	1521	1536	1551	1566	1581	1595	
1610	1625	1640	1655	1670	1685	1700	1715	1730	1744	1759	1774	1789		
1804	1819	1834	1849	1864	1879	1893	1908	1923	1938	1953	1968	1983	1998	

Standard width of module - 149.0mm and 75mm

Width table of HS-100B/100EL/101B/102B (PP)

unit: mm

45	60	75	90											
105	120	135	149	195										
210	225	240	255	270	285									
300	315	330	345	359	374	389								
404	419	434	449	464	479	494								
509	524	539	554	569	584	599								
614	629	644	659	674	689									
704	717	732	747	762	778	793								
808	823	838	853	868	883	898								
913	928	943	958	973	988									
1003	1018	1033	1048	1063	1078	1093	1108	1123	1138	1153	1168	1183	1198	
1213	1228	1243	1258	1273	1287	1302	1317	1332	1347	1362	1377	1392		
1407	1422	1437	1452	1467	1482	1497	1512	1527	1542	1557	1572	1587		
1602	1617	1632	1647	1662	1677	1692	1707	1722	1737	1752	1767	1781	1796	
1811	1826	1841	1856	1871	1886	1901	1916	1931	1946	1961	1976	1991	2005	

Standard width of module - 149.7mm and 75mm

Width table of HS-100B/101B/102B (POM)

unit: mm

45	60	75	90											
105	120	135	149	195										
210	225	240	255	270	285									
300	315	330	345	359	374	389								
404	419	434	449	464	479	494								
509	524	539	554	569	584	599								
614	629	644	659	674	689									
704	717	732	747	762	778	793								
808	823	838	853	868	883	898								
913	928	943	958	973	988									
1003	1018	1033	1048	1063	1078	1093	1108	1123	1138	1153	1168	1183	1198	
1213	1228	1243	1258	1273	1287	1302	1317	1332	1347	1362	1377	1392		
1407	1422	1437	1452	1467	1482	1497	1512	1527	1542	1557	1572	1587		
1602	1617	1632	1647	1662	1677	1692	1707	1722	1737	1752	1767	1781	1796	
1811	1826	1841	1856	1871	1886	1901	1916	1931	1946	1961	1976	1991	2005	

Standard width of module - 149.7mm and 75mm

Width table of HS-100B/101B/102B (PE)

unit: mm

45	60	75	90											
105	120	135	149	195										
210	225	240	255	270	285									
300	315	330	345	359	374	389								
404	419	434	449	464	479	494								
509	524	539	554	569	584	599								
614	629	644	659	674	689									
704	717	732	747	762	777	792								
807	822	837	852	867	882	896								
911	926	941	956	971	986									
1001	1016	1031	1046	1061	1075	1090	1105	1120	1135	1150	1165	1180	1195	
1210	1225	1240	1254	1269	1284	1299	1314	1329	1344	1359	1374	1389		
1404	1419	1433	1448	1463	1478	1493	1508	1523	1538	1553	1569	1583	1598	
1612	1627	1642	1657	1672	1687	1702	1717	1732	1747	1762	1777	1791		
1806	1821	1836	1851	1866	1881	1896	1911	1926	1941	1956	1970	1985	2000	

Standard width of module - 149.5mm and 75mm

Width table of HS-100A-HD (PP)

unit: mm

150,5	167	184	201	218	234	251	267	284						
301	318	334	351	368	385	401	418	435						
451	468	484	501	518	535	551	568	585						
602	618	635	652	669	686	702	719	736						
753	770	786	803	820	837	853	870	887						
903	920	936	953	970	987	1003	1020	1037						
1054	1071	1088	1104	1121	1138	1154	1171	1188						
1205	1222	1238	1255	1272	1289	1305	1322	1339						
1355	1372	1389	1405	1422	1439	1455	1472	1489						
1505	1522	1538	1555	1572	1589	1605	1622	1639						
1656	1673	1690	1706	1723	1740	1756	1773	1790						
1806	1823	1840	1856	1873	1890	1906	1923	1940						
1957	1974	1990	2007	2024	2041	2057	2074	2091						
2108														

Standard width of module - 150.5mm

Width table of HS-100A-HD (PE/POM)

unit: mm

150	167	183	200	217	233	250	267	283
300	317	333	350	367	383	400	417	433
450	467	483	500	517	533	550	567	583
600	617	633	650	667	683	700	717	733
750	767	783	800	817	833	850	867	883
900	917	933	950	967	983	1000	1017	1033
1050	1067	1083	1100	1117	1133	1150	1167	1183
1200	1217	1233	1250	1267	1283	1300	1317	1333
1350	1367	1383	1400	1417	1433	1450	1467	1483
1500	1517	1533	1550	1567	1583	1600	1617	1633
1650	1667	1683	1700	1717	1733	1750	1767	1783
1800	1817	1833	1850	1867	1883	1900	1917	1933
1950	1967	1983	2000	2017	2033	2050	2067	2083
2100								

Standard width of module - 150mm

Width table of HS-100B-HD (PP/PE/POM)

unit: mm

152	169	186	203	220	236	253	270	287
304	321	338	355	372	389	405	422	439
456	473	490	507	524	540	557	574	591
608	625	642	659	676	692	710	726	743
759	776	793	810	827	843	860	877	894
910	927	944	961	978	994	1011	1028	1045
1063	1080	1097	1114	1131	1148	1164	1181	1198
1215	1232	1249	1266	1283	1300	1316	1333	1350
1366	1383	1400	1417	1434	1450	1468	1484	1501
1518	1535	1552	1569	1586	1604	1619	1636	1653
1670	1687	1704	1721	1738	1754	1771	1789	1805
1822	1839	1856	1873	1890	1906	1923	1940	1957
1973	1990	2007	2024	2041	2058	2074	2091	2108
2124								

Standard width of module - 152mm

Width Table of HS-100A-HD-N (POM)

unit: mm

251	352	401	502	552	653
703	803	854	954	1004	1105
1155	1255	1305	1406	1456	1557
1607	1707	1757	1858	1908	2009

Standard width of Module - 150mm(Middle Module) 100.5mm(Middle Module) & 150mm(Side Module)&100.5mm(Side Module)

Width table of HS-100A-HD-N (PP)

unit: mm

251	352	403	453	503	554
604	654	704	754	805	855
906	956	1007	1057	1107	1157
1208	1258	1309	1359	1410	1460
1510	1560	1610	1660	1710	1760
1811	1861	1912	1962	2013	

Standard width of Module - 150mm(Middle Module) 100.5mm(Middle Module) & 150mm(Side Module)&100.5mm(Side Module)

Width table of HS-200A/200B/200C/200AN/200EL (PP/PE)

unit: mm

45	60	75	90											
105	120	135	150	195										
210	225	240	255	270	285									
300	315	330	345	359	374	389								
404	419	434	450	465	480	495								
510	525	540	555	570	585									
600	615	630	645	660	675	690								
705	720	735	750	765	780	795								
810	825	840	855	870	885									
900	915	930	945	960	975	990								
1005	1020	1035	1050	1065	1080	1095	1110	1125	1140	1155	1170	1185		
1200	1215	1230	1245	1260	1275	1290	1305	1320	1335	1350	1365	1380	1395	
1410	1425	1440	1455	1470	1485	1500	1515	1530	1545	1560	1575	1590		
1605	1620	1635	1650	1665	1680	1695	1710	1725	1740	1755	1770	1785		
1800	1815	1830	1845	1860	1875	1890	1905	1920	1935	1950	1965	1980	1995	

Standard width of module - 75mm, 150.0mm and 300mm

Width table of HS-200A/200B/200C/200AN (POM)

unit: mm

45	60	75	90											
105	120	135	149	195										
210	225	240	255	270	285									
300	315	330	345	359	374	389								
404	419	434	449	464	479	494								
509	524	538	554	569	584	599								
614	629	644	659	674	689									
704	717	732	747	762	777	792								
807	822	837	852	867	882	896								
911	926	941	956	971	986									
1001	1016	1031	1046	1061	1075	1090	1105	1120	1135	1150	1165	1180	1195	
1210	1225	1240	1254	1269	1284	1299	1314	1329	1344	1359	1374	1389		
1404	1419	1433	1448	1463	1478	1493	1508	1523	1538	1553	1568	1583	1598	
1612	1627	1642	1657	1672	1687	1702	1717	1732	1747	1762	1777	1791		
1806	1821	1836	1851	1866	1881	1896	1911	1926	1941	1956	1970	1985	2000	

Standard width of module -75mm, 149.5mm and 300mm

Width table of HS-201A (PP/PE)

unit: mm

76														
153	230	306	383											
459	536	612	689											
765	842	919	996	1072	1149									
1225	1302	1378	1455	1531	1608	1684	1761							
1837	1914	1991	2068	2145	2221	2298	2374	2451	2527					

Standard width of module - 153.0mm (Module 1) 76.5mm (Module 2)

Width table of HS-201A (POM)

unit: mm

75														
150	225	300	375											
450	525	600	675											
750	825	900	975	1050	1125									
1200	1275	1350	1425	1500	1575	1650	1725							
1800	1875	1950	2025	2100	2175	2250	2325	2400	2475	2550				

Standard width of module - 150.0mm (Module 1) 75.0mm (Module 2)

Width table of HS-200A-HD (PP/PE)

unit: mm

152	177	203	228	254	279	292		
305	330	356	381	407	432	458	483	
509	534	560	585	611	636	662	687	
713	738	764	789	815	840	866	891	
917	942	968	993	1019	1044	1070	1095	1121
1146	1172	1197	1223	1248	1274	1299	1325	1350
1376	1401	1427	1452	1478	1503	1529	1554	1580
1605	1631	1656	1682	1707	1733	1758	1784	1809
1835	1860	1886	1911	1937	1962	1988	2013	2039
2064	2090	2115	2141	2166	2192	2217	2243	2268

Standard width of module -152.0mm (Module 1) 292.0mm (Module 2)

Width table of HS-200A-HD (POM)

unit: mm

152	177	203	228	253	279			
304	329	355	380	405	431			
457	482	508	533	558	584			
610	635	661	686	711	737			
762	787	813	838	863	889			
915	940	966	991	1016	1042			
1067	1092	1118	1143	1168	1194			
1219	1243	1269	1294	1319	1345			
1370	1395	1421	1446	1471	1496			
1523	1548	1574	1599	1624	1650			
1675	1700	1726	1751	1776	1802			
1827	1852	1878	1903	1928	1954			
1980	2005	2031	2056	2081	2107			

Standard width of module - 152.1mm

Width table of HS-300B/300C/300B-EL (PP/POM/PE)

unit: mm

195							
219	244	268	293				
317	343	367	392				
417	442	466	491				
517	541	566	590				
615	640	665	690				
714	739	764	789				
814	839	864	888				
913	938	963	988				
1013	1037	1062	1087	1112	1137	1161	1186
1211	1236	1261	1285	1310	1335	1360	1385
1409	1434	1459	1484	1509	1533	1558	1583
1608	1633	1657	1682	1707	1732	1757	1781
1831	1856	1881	1905	1930	1955	1980	2004

Standard width of module - 173.7mm (Middle module) 195mm (Side module)

Width table of HS-300B-HD/300B-HD-C/300B-HD-EL/ 300B-HD-GB (PP/PE)

unit: mm

218	242	267	292					
316	341	366	391					
416	441	465	490					
515	539	564	589					
614	639	664	689					
714	738	763	788					
812	837	862	887					
911	936	961	986					
1010	1035	1060	1084	1109	1134	1158	1183	
1208	1232	1258	1283	1307	1332	1357	1381	
1406	1431	1455	1480	1505	1529	1554	1579	
1603	1628	1653	1678	1703	1728	1753	1778	
1803	1827	1852	1877	1902	1927	1952	1977	2002

Standard width of module - 197.5mm (Middle module) 218.5mm (Side module)

Width table of HS-300B-HD/300B-HD-C/300B-HD-EL/ 300B-HD-GB (POM)

unit: mm

217	242	266	291																	
316	340	365	390																	
415	439	464	488																	
513	537	562	587																	
612	636	661	685																	
710	734	759	783																	
808	832	857	881																	
905	930	954	979																	
1004	1028	1052	1077	1102	1126	1151	1175	1199												
1225	1249	1274	1299	1324	1349	1374	1398													
1423	1448	1472	1497	1521	1546	1571	1595													
1619	1644	1668	1693	1717	1742	1767	1792													
1817	1842	1867	1891	1916	1940	1965	1990	2015												

Standard width of module - 196.5mm (Middle module) 217.5mm (Side module)

Width table of HS-300B-PLUS/300B-PLUS-C/ 300B-PLUS-EL (POM/PE/PP)

unit: mm

242	292																			
317	342	367	392																	
467	566	591	616	641	666	691														
716	740	765	790	815	840	865	890													
914	939	964	989	1014	1039	1064	1088	1113	1138	1163	1188									
1213	1236	1262	1287	1312	1337	1362	1387	1412	1436	1461	1486									
1511	1536	1561	1586	1610	1635	1660	1685	1710	1735	1760	1784									
1809	1834	1859	1884	1909	1934	1958	1983	2008												

Standard width of module - 174.0mm (Middle module) 242.0mm (Side module)

Width table of HS-400A/400B (PP)

unit: mm

40	60	80							
100	120	140	160	180					
200	220	240	260	280					
300	320	340	360	380					
400	420	440	460	480					
500	520	540	560	580					
600	620	640	660	680					
700	720	740	760	780					
800	820	840	860	880					
900	920	940	960	980					
1000	1020	1040	1060	1080	1100	1120	1140	1160	1180
1200	1220	1240	1260	1280	1300	1320	1340	1360	1380
1400	1420	1440	1460	1480	1500				

Standard width of module - 160.0mm

Width table of HS-400A/400B (PE)

unit: mm

39	59	79	99						
119	139	159	179	199					
219	239	257	277	297					
317	337	357	377	397					
417	437	457	477	497					
517	537	557	577	597					
617	637	657	677	697					
717	737	757	777	797					
817	837	857	876	896					
916	936	956	976	996					
1016	1036	1056	1076	1095	1115	1135	1155	1175	1195
1214	1234	1254	1274	1294	1314	1334	1353	1373	1393
1413	1433	1452	1472	1492	1512				

Standard width of module - 159.0mm

Width table of HS-500B/500C/500EL/500B-GB/500B-GB-EL (PP/PE)

unit: mm

166	183	199										
216	232	249	266	282	299							
315	332	349	365	382	398							
415	432	448	465	482	498							
516	533	549	566	582	599							
616	632	649	667	683								
700	716	733	750	766	783							
800	816	833	850	866	883							
900	916	934	950	967	983							
1000	1017	1033	1050	1067	1083	1100	1117	1134	1150	1167	1184	
1200	1217	1234	1250	1267	1284	1301	1317	1334	1351	1367	1384	
1401	1417	1434	1451	1468	1484	1501						

Standard width of module - 134.0mm (Middle module) 166.0mm (Side module)

Width table of HS-500B/500C/500B-GB (POM)

unit: mm

165	182	198										
215	231	248	265	281	298							
314	330	347	363	380	396							
413	430	447	463	480	497							
514	530	547	563	580	595							
612	628	644	661	677	694							
710	728	744	760	777	793							
810	826	843	859	876	892							
909	925	942	958	975	991							
1008	1024	1041	1057	1074	1090	1107	1123	1140	1156	1173	1189	
1206	1222	1239	1255	1272	1288	1305	1321	1338	1354	1371	1387	
1404	1420	1437	1453	1470	1486	1503						

Standard width of module - 133.0mm (Middle module) 165.0mm (Side module)

Width table of HS-501A/501B/501C/501D/501EL (PP/POM/PE)

unit: mm

173	194								
214	235	255	276	296					
316	337	357	378	398					
418	439	459	480						
500	521	542	562	583					
603	623	644	664	685					
705	726	746	767	787					
808	828	849	869	890					
910	931	951	972	992					
1013	1033	1054	1074	1095	1115	1136	1156	1177	1197
1218	1238	1259	1279	1300	1321	1341	1362	1382	
1402	1423	1443	1464	1484	1505	1525	1546	1566	1587
1607	1628	1648	1669	1689	1709	1730	1750	1771	1791
1812	1832	1853	1873	1894	1914	1935	1955	1976	1996
2017	2037	2058	2078	2099	2120	2140	2161	2181	2201

Standard width of module - 153.4mm (Middle module) 173.0mm (Side module)

Width table of HS-502A/502B/502C/502D/ 502EL/502ZS (PP/POM/PE)

unit: mm

135	156	177	198							
219	240	261	282							
303	324	345	366	387						
408	429	450	471	492						
513	534	555	576	597						
618	639	660	681							
702	723	744	764	784						
806	827	848	869	890						
911	932	953	974	994						
1015	1036	1057	1078	1109	1120	1141	1162	1183		
1204	1225	1246	1267	1288	1309	1330	1350	1371	1392	
1413	1434	1455	1476	1497	1518	1539	1560	1581		
1602	1623	1644	1665	1686	1707	1728	1749	1770	1791	
1812	1833	1854	1875	1896	1917	1938	1959	1980		
2001	2022	2043	2064	2085	2106	2127	2148	2169	2190	2211

Standard width of module - 157mm (Middle module) 177.5mm (Side module)

Width table of HS-502A-83GB (PP/POM/PE)

83

unit: mm

Standard width of module - 83mm

Width table of HS-502A-FB (PP/POM/PE)

127,5

unit: mm

Standard width of module - 127.5mm

Width table of HS-502A-HD/502A-HD-D (POM)

unit: mm

76									
152	229	305	381						
457	533	610	686	760					
836	912	988	1064	1140	1216	1292			
1368	1444	1520	1596	1672	1748	1824	1900	1976	
2050	2128	2204	2280	2356	2432	2508			

Standard width of Module - 152.5mm(Module 1) 76.2mm(Module 2)

Width table of HS-500B-HD (PP/PE/POM)

unit: mm

229	333	354	375	396					
416	520	541	562	583					
603	707	728	749	770					
791	895	916	937	958					
929	1083	1104	1125	1146					
1166	1270	1291	1312	1333					
1354	1458	1479	1500	1521					
1541									

Standard width of module - 187.4mm (Middle module) 151mm (Side module 1) 141mm (Side module 2) 88mm (Side module 3) 78mm (Side module 4)

Width table of HS-600B (PP/POM/PE)

unit: mm

173	194								
214	235	255	276	296					
316	337	357	378	398					
418	439	459	480						
500	521	542	562	583					
603	623	644	664	685					
705	726	746	767	787					
808	828	849	869	890					
910	931	951	972	992					
1013	1033	1054	1074	1095	1115	1136	1156	1177	1197
1218	1238	1259	1279	1300	1321	1341	1362	1382	
1402	1423	1443	1464	1484	1505	1525	1546	1566	1587
1607	1628	1648	1669	1689	1709	1730	1750	1771	1791
1812	1832	1853	1873	1894	1914	1935	1955	1976	1996
2017	2037	2058	2078	2099	2120	2140	2161	2181	2201

Standard width of module - 153.4mm (Middle module) 173.0mm (Side module)

Width table of HS-600C (PP/PE)

unit: mm

250									
406	562	718	874						
1030	1186	1342	1498	1654					
1810	1966	2122	2278	2434	2590				

Standard width of module - 156.0mm (Middle module) 167.0mm (Side module 1)
83.0mm (Side module 2)

Width table of HS-700A/700EL (PP/PE/POM)

unit: mm

95														
112	128	145	161	178	194									
209	227	244	260	276	293									
310	326	342	359	376	392									
409	425	442	458	474	491									
508	524	541	557	574	590									
607	623	640	656	673	689									
706	722	739	755	772	788									
805	821	838	854	871	887									
904	920	937	953	970	986									
1003	1019	1035	1052	1069	1085									
1102	1118	1135	1151	1168	1184	1201	1217	1234	1250	1267	1283			
1300	1316	1332	1349	1366	1382	1399	1415	1431	1449	1465	1481	1497	1514	

Standard width of module -181mm (Middle module) 209.5mm (Side module)

Width table of HS-700B-N/HS-700D-N (PP/PE/POM)

unit: mm

152	253	270	287						
304	321	338	355	372	389	405	422	440	
456	473	490	507	524	541	557	574	591	
608	625	642	659	676	693	709	726	743	
760	777	794	811	828	845	861	878	895	
912	929	946	963	980	997	1013	1030	1047	
1064	1081	1098	1115	1132	1149	1166	1183	1199	
1216	1233	1250	1367	1284	1301	1317	1334	1351	
1368	1385	1402	1419	1436	1453	1469	1486	1503	
1520	1537	1554	1571	1588	1605	1621	1638	1655	
1672	1689	1706	1723	1740	1757	1773	1790	1807	
1824	1841	1858	1875	1892	1909	1925	1942	1959	
1976	1993	2010	2027	2044	2061	2077	2094	2111	
2128	2145	2162	2179	2196	2213	2229	2246	2263	

Standard width of Module-152mm(Middle Module) 50.8mm(Side Module 1)
01.4mm (Side Module 2)

Width table of HS-800-1C/800-2C (PP)

unit: mm

188									
238	288								
338	388								
439	489								
539	589								
639	689								
739	789								
839	889								
940	990								
1040	1090	1140	1190	1240	1290				
1340	1390	1441	1491	1541	1591	1641	1691	1741	1791
1841	1891	1942	1992	2042	2092	2142	2192	2242	

Standard width of module - 149.5mm (Middle module) 119.0mm (Side module 1)
169.0mm (Side module 2)

Width table of HS-900A/900B/900C (PP/POM/PE)

unit: mm

150												
200	225	250	275									
300	325	350	375									
400	425	450	475									
500	525	550	575									
600	625	650	675									
700	725	750	775									
800	825	850	875									
900	925	950	975									
1000	1025	1050	1075									
1100	1125	1150	1175									
1200	1225	1250	1275	1300	1325	1350	1375	1400	1425	1450	1475	
1500	1525	1555	1575	1600	1625	1650	1675	1700	1725	1750	1775	
1800	1825	1850	1875	1900	1925	1950	1975	2000				

Standard width of module - 150.0mm

Width table of HS-901B (PP/POM/PE)

unit: mm

152	251	301	357	407								
455	505	554	604	660	710							
759	809	858	908	964	1014							
1062	1112	1161	1211	1267	1317							
1366	1416	1465	1515	1571	1621							
1669	1719	1768	1818	1874	1924							
1972	2022	2071	2121	2177	2227							
2276	2326	2375	2425	2481	2531							

Standard width of Module--303.5mm (Middle module) 51.8mm (Side module 1)
100.2mm (Side module 2)

Width table of HS-901D (PP/POM/PE)

unit: mm

163												
317	471	624	777	931								
1084	1237	1390	1544	1697	1850							
2003	2156	2309	2463	2616								

Standard width of module - 306.5mm (Middle module) 62.3mm (Side module 1)
101.0mm (Side module 2)

Width table of HS-902B (PP)

unit: mm

152	185	219	252
303	336	370	403
455	488	522	555
607	640	674	707
758	791	825	858
910	943	977	1010
1061	1094	1128	1161
1213	1246	1280	1313
1364	1397	1431	1464
1515	1548	1582	1615
1667	1700	1734	1767
1819	1852	1886	1919
1970	2003	2037	2070

Standard width of module - 152mm

Width table of HS-900B-HD (PP/PE)

unit: mm

223	260	297	335	372	409
446	483	520	558	595	632
669	706	743	781	818	855
892	929	966	1004	1041	1078
1115	1152	1189	1227	1264	1301
1338	1375	1412	1450	1487	1524
1561	1598	1635	1673	1710	1747
1784	1821	1858	1896	1933	1970
2007					

Standard width of module - 222.8mm

Width table of HS-1000A/1000B (PP/POM/PE)

unit: mm

77									
115	134	152	171	190					
209	228	247	266	285					
304	323	342	361	380	399				
418	437	456	475	494					
513	532	551	570	589					
608	627	646	665	684					
703	722	741	760	779	798				
817	836	855	874	893					
912	931	950	969	988					
1007	1026	1045	1064	1083					
1102	1121	1140	1159	1178	1197	1216			

Standard width of module - 152.0mm and 75mm

Width table of HS-1100A-N /HS-1100AB-N (POM)

unit: mm

152	253	279			
304	329	355	380	406	431
457	482	508	533	559	584
609	634	660	685	711	736
762	787	813	838	864	889
914	939	965	990	1016	1041
1067	1092	1118	1143	1169	1194
1219	1244	1270	1295	1321	1346
1372	1397	1423	1448	1474	1499
1524	1549	1575	1600	1626	1651
1676	1701	1727	1752	1778	1803
1829	1854	1880	1905	1931	1956
1981	2006	2032	2057	2083	2108
2134	2159	2185	2210	2236	2261

Standard width of module - 152.5mm (Middle module) 50.4mm (Side module 1)
101.4mm (Side module 2)

Width table of HS-1100A-N /HS-1100AB-N (PP/PE)

unit: mm

153	255	281			
306	332	357	383	408	434
459	485	510	536	561	587
612	638	663	689	714	740
765	791	816	842	867	893
918	944	969	995	1020	1046
1071	1097	1122	1148	1173	1199
1224	1250	1275	1301	1326	1352
1377	1403	1428	1454	1479	1505
1530	1556	1581	1607	1632	1656
1683	1709	1734	1760	1785	1812

Standard width of module - 153mm (Middle module) 51mm (Side module 1) 112mm
(Side module 2)

Width table of HS-1100B-N (PP/PE/POM)

unit: mm

152	253	279			
304	329	355	380	405	431
456	481	507	532	557	583
608	633	659	684	709	735
760	785	811	836	861	887
912	937	963	988	1013	1039
1064	1089	1115	1140	1165	1191
1216	1241	1267	1292	1317	1343
1368	1393	1419	1444	1469	1495
1520	1545	1571	1596	1621	1647
1672	1697	1723	1748	1773	1799
1825	1850	1876	1901	1926	1952
1977	2002	2028	2053	2078	2104
2129	2154	2180	2205	2230	2256

Standard width of module - 152mm (Middle module) 50.7mm (Side module 1) 101.2mm (Side module 2)

Width table of HS-1200B (PP/POM/PE)

unit: mm

230	260	290				
320	363	392	422	452	482	
512	542	572	602	632	662	692
722	752	782	812	842	872	
902	932	962	991	1021	1051	1081
1111	1141	1171	1201	1231	1261	1291
1321	1351	1381	1410	1440	1470	
1500	1530	1560	1590	1620		

Standard width of module - 209.7mm (Middle module) 152.0mm (Side module 1) 211.0mm (Side module 2)

Width table of HS-1201B (POM)

unit: mm

423	491	525	559	593	627
661	729	763	797	831	865
899	967	1001	1035	1069	1103
1137	1205	1239	1273	1307	1341
1375	1443	1477	1511	1545	1579
1613	1681	1715	1749	1783	1817
1851	1919	1953	1987	2021	2055
2089					

Standard width of Module--238mm (Middle module) 254mm (Outer side module 1)
 169.0mm (Outer side module 2) 254.0mm (Inner side module 1)
 168.3mm (Inner side module 2)

Width table of HS-1400B (POM)

unit: mm

253	303	405	455	
506	556	607	658	708
759	810	860	911	961
1012	1062	1113	1163	1214
1265	1315	1366	1419	1467
1518	1568	1619	1670	1720
1771	1821	1872	1923	1973
2024	2074	2125		

Standard width of module - 253mm (Middle module) 82.0mm (Side module 1) 171.0mm
 (Side module 2)

Width Table of HS-1500A/HS-1500A-HD(PP/PE/POM)

unit: mm

76									
205	232	257	283						
308	334	360	385						
411	437	462	488	514	540	565	591		
617	643	668	694	720	746	771	797		
822	848	873	899	925	951	976			
1002	1028	1054	1079	1105	1131	1157	1182		
1208	1233	1259	1284	1310	1336	1362	1387		
1413	1439	1465	1490	1516	1542	1568	1593		
1619	1644	1670	1695	1721	1747	1773	1798		
1824	1850	1876	1901	1927	1953	1979	2004	2030	2055

Standard width of Module1--76mm,Standard width of Module2--205.5mm

Width table of HS-1500B (PP/PE/POM)

unit: mm

107	133	158	183								
208	234	259	284								
310	335	360	385								
410	436	461	486	512	537	562	588				
613	638	663	689	714	739	765	790				
815	841	866	891	917	942	967	992				
1017	1043	1068	1093	1119	1144	1169	1195	1220	1245	1270	1296
1321	1346	1372	1397	1422	1448	1473	1498	1523	1549	1574	1599
1625	1650	1675	1701	1726	1751	1776	1802	1827	1852	1878	
1903	1928	1954	1979	2004							

Standard width of module - 177.0mm (Middle module) 208.0mm (Side module)

Width table of HS-1500B-N (PP/PE)

unit: mm

204		307	358								
409	460	511	562								
613	664	716	767								
818	869	921	972								
1023	1074	1126	1177								
1228	1279	1331	1382								
1433	1484	1536	1587								
1638	1689	1741	1792								
1843	1894	1946	1997								

Standard width of module - 127mm (Side module 1) 76mm (Side modular 2)
205mm (Middle module)

Width table of HS-1500B-N (POM)

unit: mm

204	307	358									
409	460	511	562								
613	664	715	766								
817	868	919	970								
1022	1073	1124	1175								
1227	1278	1329	1380								
1431	1482	1533	1584								
1636	1687	1738	1789								
1840	1891	1942	1993								

Standard width of module - 127.4mm (Side module 1) 76.3mm (Side module 2)
204.5mm (Middle module)

Width table of HS-1600A/1600B/1600D (POM)

unit: mm

163	196	228	261	293
326	359	391	424	456
489	522	554	587	619
653	686	718	751	783
817	850	882	915	947
980	1013	1045	1078	1110
1144	1177	1209	1242	1274
1308	1341	1373	1406	1438
1471	1504	1536	1569	1601
1635	1668	1700	1733	1765
1798	1831	1863	896	1928
1961	1994	2026	2059	2091
2125	2158	2190	2223	2255
2289	2322	2254	2387	2419
2453	2485	2518	2551	2584
				2617

Standard width of module - 194.0mm

Width table of HS-1600A/1600B/1600D (PP/PE)

unit: mm

164	230	263		
328	361	394	427	459
492	525	558	590	623
656	689	722	755	787
820	853	886	918	951
984	1017	1050	1083	1115
1148	1181	1214	1247	1279
1312	1345	1378	1411	1443
1476	1509	1542	1575	1607
1640	1673	1706	1739	1771
1804	1837	1870	1903	1935
1968	2001	2034	2067	2099

Standard width of module - 164.0mm

Width Table of HS-1700B (PP/PE)

unit: mm

250	401	553	703	854
1005	1156	1307	1458	

Standard width of Module--151mm (Middle module) 101.0mm (Side module 1)
150.3mm (Side module 2)

Width Table of HS-1700B (POM)

unit: mm

250	400	550	702	853		
1003	1154	1305	1456	1606	1757	1908
2059						

Standard width of Module--150.5mm (Middle module) 99.7mm (Side module 1)
149.7mm (Side module 2)

Width table of HS-1800A-100 (POM)

unit: mm

100

Standard width of module - 100.0mm

Width table of HS-1800A/1800B/1800D (POM)

unit: mm

200	266	330			
399	465	532			
598	664	731			
797	864	930			
996	1062	1129			
1195	1262	1328			
1395	1462	1528			
1594	1661	1727			
1793	1859	1926			
1992	2059	2125			
2192					

Standard width of module - 199.2mm

Width Table of HS-1900B (PP/PE/POM)

unit: mm

507				
583				
657				
807				
957				
1107				

Standard width of Module - 427mm (Size Module 1) 352mm(Size Module 2)
153mm (Size Module 3) 78mm (Size Module 4) 153mm (Middle Module)

Width Table of HS-2000A (POM)

unit: mm

200	300	400	500	600	700	800	900
1000	1100	1200	1300	1400	1500	1600	

Width Table of HS-2000A (PP/PE)

unit: mm

201	301,5	402	502,5	603	703,5	804	904,5
1005	1105,5	1206	1306,5	1407	1507,5	1608	

Width Table of HS-2500A/2500B/2500D/2500E(POM)

unit: mm

50									
150	200	250							
300	350	400	450						
500	550	600	650	700	750				
800	850	900	950	1000	1050	1100	1150		
1200	1250	1300	1350	1400	1450	1500	1550	1600	1650
1700	1750	1800	1850	1900	1950	2050	2100		

Standard width of Module -50.0mm (module 1) 100.0mm (module 2)
200mm (module 3)

Width Table of HS-2500A/2500B/2500D/2500E(PP/PE)

unit: mm

50,5									
100,5	202	252,5							
303	353,5	404	454,5						
505	555,5	606	656,5	707	757,5				
808	858,5	909	959,5	1010	1060,5	1111	1161,5		
1212	1262,5	1313	1363,5	1414	1464,5	1515	1565,5	1616	1666,5
1717	1767,5	1818	1868,5	1919	1969,5	2020	2070,5		

Standard width of Module -50.5mm (module 1) 100.5mm (module 2)
202mm (module 3)

Width table of HS-2600B(PP/POM/PE)

unit: mm

182	209	235	262	288						
318	346	374	402	430	458	486	514	542	570	
598	626	654	682	710	738	766	794	822	850	1077
1161	1189	1217	1245	1273	1301	1329	1357	1385	1412	1105
1439	1467	1495	1523	1551	1579	1607	1635	1663	1691	1133
1719	1747	1775	1803	1831	1859	1887	1915	1943	1971	1999
										2027

Standard width of module - 280.5mm (Middle module) 118.5mm (Side module 1)
201.5mm (Side module 2)

Width table of HS-2800C (PP/PE)

unit: mm

180											
225	271										
316	361	407	451	496							
542	587	632	677	722	768						
813	858	903	948	993	1039	1084					
1130	1175	1220	1265	1310	1356	1401	1447	1492	1537	1582	1627

Standard width of module - 180.0mm

Width table of HS-3000B (PP/PE)

unit: mm

100	150	175									
200	225	250	275								
300	325	350	375	399							
424	449	474	498	523	548	573	597				
622	647	672	697	722	747	772	796				
821	846	871	896	921	946	971	995				
1020	1045	1070	1095	1120	1145	1170	1194				
1219	1244	1269	1294	1319	1344	1369	1393				
1418	1443	1468	1493	1518	1543	1568	1592				
1617	1642	1667	1692	1717	1742	1767	1791				
1816	1841	1866	1891	1916	1941	1966	1991	2016			

Standard width of module - 100.0mm (Module 1) 200.0mm (Module 2)

Width table of HS-4000A /B(POM)

unit: mm

60	120	180	240	300	360
420	480	540	600	660	720
780	840	900	960	1020	1080
1140	1200	1260	1320	1380	1440
1500	1560	1620	1680	1740	1800

Standard width of module - 60mm (Side module 1)120mm (Side module 2)

FORM SELECTION TYPE OF MODULAR BELTS

Belt

Material	PE	PP	POM
Pitch/[mm]			
Colour			
Length			mm
Width			mm
Application	transport		drive
Working temperature			
Working conditions			

Flight

Height		mm
Width		mm
Pitch		mm

Side guard

Height			mm
One-sided		Two-sided	

Pulley

Number of pulleys	
Number of teeth	
Hole	
Material	

Other	
-------	--

**TIMING BELTS AND PULLEYS
MODULAR BELTS**

CHIORINO Sp. z o.o.

ul. Piękna 13
85-303 Bydgoszcz, Poland
Tel. +48 52 348 77 08
Fax +48 52 348 77 15
chiorino@chiorino.com.pl
www.chiorino.com.pl